

Lead-Free* Bronze Ball Valves

Features: Silicon Performance Bronze® Alloy • Two-Piece Body • Full Port
• Blowout-Proof Stem

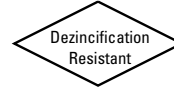
Approvals: MSS SP-110 • IAPMO IGC-157 • NSF/ANSI-61-8 Commercial Hot 180°F
(includes annex F and G) and NSF/ANSI-372

Size range: 1/4" - 2"

Pressure rating: 600 PSI non-shock cold working pressure
Maximum pressure / temperature: 100 PSI at 300° F

Lead-free* markings:

Double oval in body casting, white handle and blue hang tag



MATERIAL LIST	
PART	SPECIFICATION
1. Nut, Handle	Steel, Plated
2. Stem	Silicon Bronze ASTM B371 Alloy C69300
3. Pack Gland	Brass ASTM B16 Alloy C36000
4. Packing, Stem	Virgin PTFE
5. Washer, Thrust	Reinforced PTFE
6. Handle	Steel, Plated Plastisol Coated
7. End Piece	Silicon Bronze ASTM B584 Alloy C87600
8. Seat Ring	Reinforced PTFE
9. Ball	Silicon Bronze ASTM B283 Alloy C69300
10. Body	Silicon Bronze ASTM B584 Alloy C87600

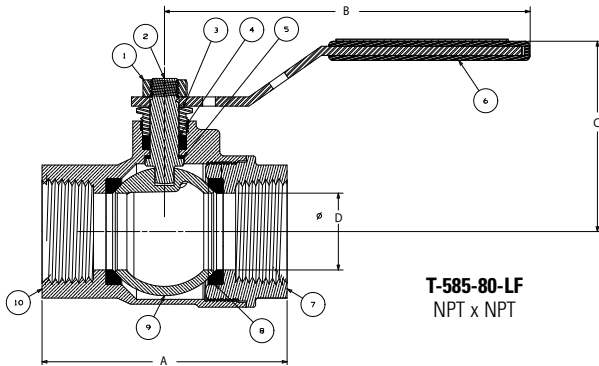


T-585-80-LF
Threaded

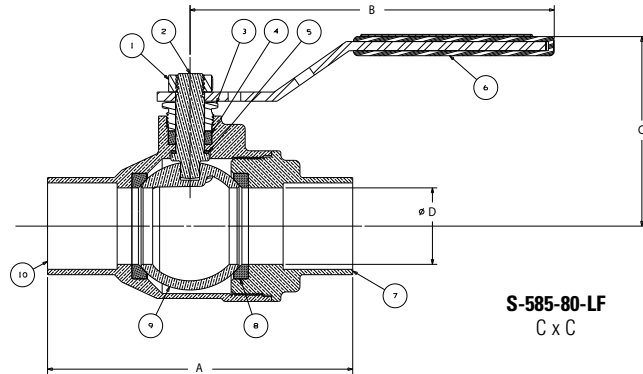
S-585-80-LF
Solder



Handle Markings



T-585-80-LF
NPT x NPT



S-585-80-LF
C x C

Handle Options:

- Stainless Steel Lever
- NIB-Seal®
- Locking lever
- Stainless Steel Locking Lever
- Memory stop
- Extended lever w/ memory stop
- Round
- Wing
- Horizontal and vertical chain

DIMENSIONS—WEIGHTS—QUANTITIES

		Dimensions																				Master								
		T-585-80-LF		S-585-80-LF		T-585-80-LF		S-585-80-LF		T-585-80-LF		S-585-80-LF		T-585-80-LF		S-585-80-LF				Ctn. Qty.										
SIZE		A	A	B	C	D	E	E	F	G	G	J	J	Lbs.	Kg.	Lbs.	Kg.													
In.	mm.	In.	mm.	In.	mm.	In.	mm.	In.	mm.	In.	mm.	In.	mm.																	
1/4	8	1.78	45	1.83	46	3.96	101	1.86	47	0.31	8	1.00	25	1.21	31	0.96	24	0.40	10	0.31	8	4.86	123	4.73	120	0.43	0.19	0.40	0.18	24
3/8	10	1.79	45	1.97	50	3.96	101	1.85	47	0.38	10	1.80	46	1.21	31	0.96	24	0.41	10	0.38	10	4.86	123	4.80	122	0.44	0.20	0.41	0.19	24
1/2	15	2.23	57	2.4	61	3.96	101	1.96	50	0.5	13	1.16	29	1.40	36	1.20	30	0.54	14	0.50	13	5.06	129	5.02	128	0.65	0.30	0.56	0.25	80
3/4	20	2.78	71	3.16	80	4.76	121	2.28	58	0.75	19	1.68	43	1.66	42	1.56	40	0.55	14	0.75	19	6.15	156	6.28	160	1.20	0.55	1.02	0.46	60
1	25	3.34	85	3.99	101	4.76	121	2.48	63	1	25	2.00	51	2.17	55	1.97	50	0.67	17	1.00	25	6.43	163	6.62	168	1.63	0.74	1.50	0.68	40
1-1/4	32	3.75	95	4.13	105	6.75	171	3.10	79	1.25	32	2.39	61	2.19	56	2.31	59	0.68	17	1.25	32	8.62	219	8.79	223	2.87	1.30	2.41	1.09	4
1-1/2	40	4.26	108	4.97	126	6.75	171	3.32	84	1.5	38	2.89	73	2.79	71	2.84	72	0.68	17	1.50	38	8.88	226	9.24	235	3.83	1.74	3.62	1.64	2
2	65	4.80	122	6.02	153	6.75	171	3.56	90	2	51	3.40	86	3.34	85	3.54	90	0.70	18	2.00	51	9.15	232	9.73	247	5.57	2.53	5.54	2.51	8

Conventional port valves offered in 2 1/2" and 3" sizes

*Weighted average lead content ≤ 0.25%