



The Mueller THERMAL-COIL Meter Box provides a means to allow a meter to be read and maintained even though it is set deep in the ground to resist freezing. The THERMAL-COIL Meter Box is designed with the meter installed on a platform that normally sets near the bottom of the box where the ground temperature keeps it warmer. The meter and platform are connected to the service line by coils of polybutylene tubing which allow the meter and platform to be raised to the surface.

The body of the meter box is made from rigid PVC which has a high insulating "R" value to resist frost bridging" inside the box. For extremely cold climates, an optional insulating pad is available which traps the relatively warm air rising from the earth inside the box.

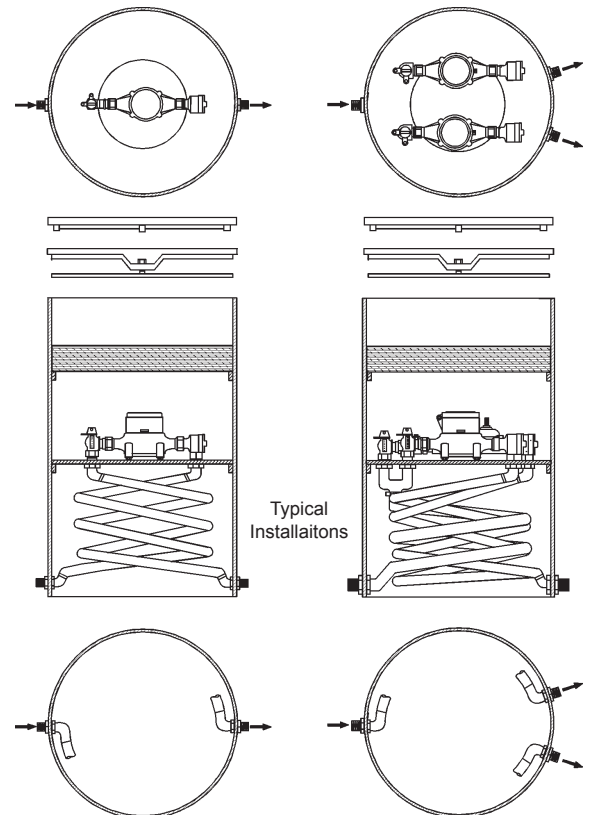
Mueller THERMAL-COIL Meter Boxes are shipped fully assembled, ready for meter installation. Their light weight saves shipping costs and makes installation a one man job in most cases. Every box is factory tested and has a 150 psig maximum working pressure rating.

Mueller THERMAL-COIL Meter Boxes are available for 5/8" to 1" meters. A wide variety of end connections, control valves, box depths, lids and other options provide you with the meter set you need. Due to the almost endless combination of features available, each box is custom built to your specifications. See page 8F.2 for options and ordering instructions.

*Manufactured under one or more of the following: U.S. Patent No. 4,614,113; 4,813,281*

**Mueller THERMAL-COIL Meter Box Features**

- Rigid .300 minimum wall PVC material holds shape and resists frost bridging
- Optional insulation pad traps earth's heat to prevent freezing in extremely cold climates
- White interior aids visibility
- Meter set is anchored to moveable platform to maintain alignment and stability
- Platform support and reinforcing ring add rigidity to box
- Poly coil tubing provides low friction loss equivalent to a typical conventional meter set of the same size and depth
- Male I.P. thread inlet and outlet connections accept a variety of MUELLER Service Fittings--see section 6
- Optional aluminum bottom available
- Large selection of optional lids



Rev. 5-18 Shaded area indicates changes

## Mueller THERMAL-COIL Meter Box ordering instructions

To order a Mueller THERMAL-COIL Meter Box, simply choose the options you require from the nine categories listed below and place the option code on the appropriate line of the catalog number shown below.

If the box you need is a tandem type, please fill out the tandem information box shown below the options listing and contact the factory for price and delivery information. Phone 1-800-423-1323 or fax 1-217-425-7537.

### Catalog Number

(1)\_\_\_\_\_ (2)\_\_\_\_\_ (3)\_\_\_\_\_ (4)\_\_\_\_\_ (5)\_\_\_\_\_ (6)\_\_\_\_\_ (7)\_\_\_\_\_ (8)\_\_\_\_\_ (9)\_\_\_\_\_

## Options

### 1 - Meter Size

NOTE: Meter is not furnished. Order meter separately.

Meter Size	Code Number
5/8"	200
5/8" x 3/4"	203
3/4"	250
1"	330

### 2 - Box Style

Box Style	Code Number
Single meter	CS
Double meter	CD
Tandem	CT

### 3 - Box Diameter

Box Diameter	Code Number
<b>15" box is for use with:</b> 5/8, 5/8 x 3/4 or 3/4 single meters; 5/8, 5/8 x 3/4 or 3/4 tandems*	15
<b>18" box is for use with:</b> 1" single meters; 1" tandems; 5/8, 5/8 x 3/4 or 3/4 double meters	18

### 4 - Box Depth

Depth	Code Number	Depth	Code Number
30"	30	66"	66
36"	36	72"	72
42"	42	78"	78
48"	48	84"	84
54"	54	90"	90
60"	60	96"	96

### 5 - Meter Inlet Type

Meter Inlet	Code Number
Meter coupling	A
Lockwing angle meter stop	L
Lockwing angle ball valve (full port)	F
Lockwing angle ball valve (reduced port)	R
Lockwing angle ball valve full port with 360° turn	X
Lockwing angle ball valve reduced port with 360° turn	T

### 6 - Meter Outlet Type

Meter Outlet	Code Number
Meter coupling	A
Dual check valve	B
A.S.S.E. Dual check valve	S
A.S.S.E. Top entry vertical check	V
Lockwing angle meter stop	L
Lockwing angle ball valve (full port)	F
Lockwing angle ball valve (reduced port)	R
Lockwing angle ball valve full port with 360° turn	X
Lockwing angle ball valve reduced port with 360° turn	T
A.S.S.E. top entry vertical check with sample port	H
Angle Ball Valve Full Port; Cap Without Lockwing	C

### 7 - Box Bottom Type

Bottom Type	Code Number
Attached bottom	A
Less bottom	B
Plastic bottom	P

### 8 - Type of Box Locking Device

(box is ordered with device to accept either a non-locking lid, center locking or side locking lid). Lids must be ordered separately.

Lock Type	Code Number
Non-locking	N
Center locking	L
Side locking	S

### 9 - No Lead Brass

Code Number
N

### Tandem box order information

Type of tandem device (regulator, backflow preventer, etc.) \_\_\_\_\_  
 Size \_\_\_\_\_, lay length \_\_\_\_\_ and end connections (M.I.P., F.I.P., etc.) \_\_\_\_\_ of the tandem device  
 Tandem device manufacturer's name \_\_\_\_\_ Tandem device model number \_\_\_\_\_

\* NOTE: Tandem device is not included and must be purchased separately. ALSO, 3/4" tandems systems when used with certain regulators may need to be placed within a 18" box; list the regulator model when specifying this system. If an ASSE check valve or ball valve is being used in a 3/4" setting then an 18" meter box will be required.

8F-PVC/BOXES/VAULTS



The Mueller ADJUSTA-COIL Meter Box provides a means to allow a meter to be read and maintained even though it is set deep in the ground to resist freezing. The ADJUSTA-COIL Meter Box is our proven THERMAL-COIL™ design – with a "new twist." The box can be adjusted to compensate for grade changes without adding separate extensions. Simply set this box in place and twist the top section, set the new grade level, then twist again to permanently and securely set the meter box height.

The ADJUSTA-COIL Meter Box is designed with the meter installed on a platform that normally sets near the bottom of the box where the ground temperature keeps it warmer. The meter and platform are connected to the service line by coils of polybutylene tubing which allow the meter and platform to be raised to the surface.

The body of the meter box is made from rigid PVC which has a high insulating "R" value to resist frost bridging" inside the box. For extremely cold climates, an optional insulating pad is available which traps the relatively warm air rising from the earth inside the box.

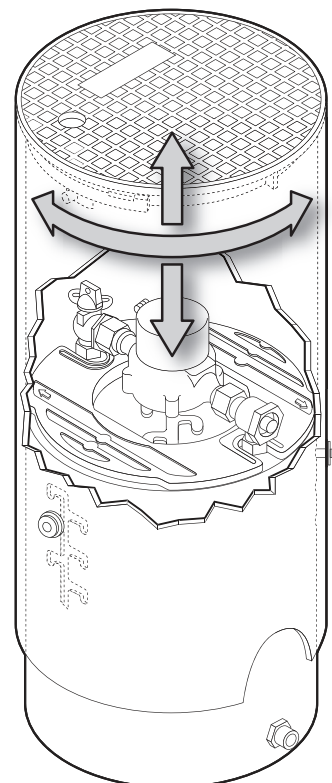
Mueller ADJUSTA-COIL Meter Boxes are shipped fully assembled, ready for meter installation. Their light weight saves shipping costs and makes installation a one man job in most cases. Every box is factory tested and has a 150 psig maximum working pressure rating.

Mueller ADJUSTA-COIL Meter Boxes are available for 5/8" to 1" meters. A wide variety of end connections, control valves, box depths, lids and other options provide you with the meter set you need. Due to the almost endless combination of features available, each box is custom built to your specifications. See page 8F.4 for options and ordering instructions.

Products marked with a section symbol ( § ) are subject to patents or patent applications. For details, visit [www.mwppat.com](http://www.mwppat.com).

### Mueller ADJUSTA-COIL Meter Box Features

- Rigid .300 minimum wall PVC material holds shape and resists frost bridging
- Optional insulation pad traps earth's heat to prevent freezing in extremely cold climates
- White interior aids visibility
- Meter set is anchored to moveable platform to maintain alignment and stability
- New and improved platform
- Poly coil tubing provides low friction loss equivalent to a typical conventional meter set of the same size and depth
- Male I.P. thread inlet and outlet connections accept a variety of MUELLER Service Fittings--see section 6
- Optional aluminum bottom available
- Large selection of optional lids
- Multiple depth ranges
- Stainless steel adjustment hardware
- Shipped assembled and tested



Rev. 5-18 Shaded area indicates changes

## Mueller ADJUSTA-COIL Meter Box ordering instructions

To order a Mueller ADJUSTA - COIL Meter Box, simply choose the options you require from the nine categories listed below and place the option code on the appropriate line of the catalog number shown below.

If the box you need is a tandem type, please fill out the tandem information box shown below the options listing and contact the factory for price and delivery information. Phone 1-800-423-1323 or fax 1-217-425-7537.

### Catalog Number

(1) \_\_\_\_\_ (2) \_\_\_\_\_ (3) \_\_\_\_\_ (4) \_\_\_\_\_ (5) \_\_\_\_\_ (6) \_\_\_\_\_ (7) \_\_\_\_\_ (8) \_\_\_\_\_ (9) \_\_\_\_\_

## Options

### 1 - Meter Size

NOTE: Meter is not furnished. Order meter separately.

Meter Size	Code Number
5/8"	200
5/8" x 3/4"	203
3/4"	250
1"	330

### 2 - Box Style

Box Style	Code Number
Single meter	AS
Double meter	AD
Tandem	AT

### 3 - Box Diameter

Box Diameter	Code Number
<b>15" box is for use with:</b> 5/8, 5/8 x 3/4 or 3/4 single meters 5/8, 5/8 x 3/4 or 3/4 tandems*	15
<b>18" box is for use with:</b> 1" single meters 1" tandems 5/8, 5/8 x 3/4 or 3/4 double meters	18

### 4 - Adjusta-coil Depth

Depth Range*	Code Number	Adjustment Range
36" Min to 42" Max	3642	6" (Below 48")
42" Min to 48" Max	4248	
48" Min to 60" Max	4860	
54" Min to 66" Max	5466	
60" Min to 72" Max	6072	
66" Min to 78" Max	6678	
72" Min to 84" Max	7284	12" (48" & Above)
78" Min to 90" Max	7890	
84" Min to 96" Max	8496	
90" Min to 102" Max	90102	
96" Min to 108" Max	96108	
102" Min to 114" Max	102114	
108" Min to 120" Max	108120	

\*other depth ranges available

### 5 - Meter Inlet Type

Meter Inlet	Code Number
Meter coupling	A
Lockwing angle meter stop	L
Lockwing angle ball valve (full port)	F
Lockwing angle ball valve (reduced port)	R
Lockwing angle ball valve full port with 360° turn	X
Lockwing angle ball valve reduced port with 360° turn	T

### 6 - Meter Outlet Type

Meter Outlet	Code Number
Meter coupling	A
Dual check valve	B
A.S.S.E. Dual check valve	S
A.S.S.E. Top entry vertical check	V
Lockwing angle meter stop	L
Lockwing angle ball valve (full port)	F
Lockwing angle ball valve (reduced port)	R
Lockwing angle ball valve full port with 360° turn	X
Lockwing angle ball valve reduced port with 360° turn	T
A.S.S.E. top entry vertical check with sample port	H
Angle Ball Valve Full Port; Cap Without Lockwing	C

### 7 - Box Bottom Type

Bottom Type	Code Number
Attached bottom	A
Less bottom	B
Plastic bottom	P

### 8 - Type of Box Locking Device

(box is ordered with device to accept either a non-locking lid, center locking or side locking lid). Lids must be ordered separately.

Lock Type	Code Number
Non-locking	N
Center locking	L
Side locking	S

### 9 - No Lead Brass

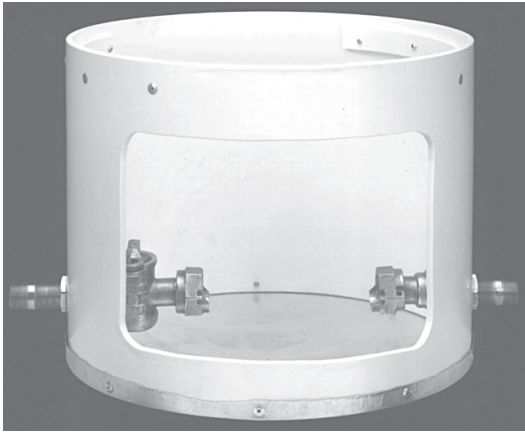
Code Number
N

### Tandem box order information

Type of tandem device (regulator, backflow preventer, etc.) \_\_\_\_\_  
 Size \_\_\_\_\_, lay length \_\_\_\_\_ and end connections (M.I.P., F.I.P., etc.) \_\_\_\_\_ of the tandem device  
 Tandem device manufacturer's name \_\_\_\_\_ Tandem device model number \_\_\_\_\_

\* NOTE: Tandem device is not included and must be purchased separately. ALSO, 3/4" tandems systems when used with certain regulators may need to be placed within a 18" box; list the regulator model when specifying this system. If an ASSE check valve or ball valve is being used in a 3/4" setting then an 18" meter box will be required.

Mueller Valves and Couplings used in these meter box assemblies are manufactured and tested in accordance with ANSI/AWWA C800. Components in contact with potable water will also comply with latest requirements of the Federal Safe Drinking Water Act.



Above box shown with optional aluminum bottom and is sectioned to illustrate internal valve and fitting.

The Mueller Inline EZ-SETTER Meter Box provides a means to quickly install a shallow set meter. The in-line EZ-SETTER comes pre-assembled, tested and ready to install. These meter boxes can also be ordered for double meter sets or tandem sets for meter and regulator or meter and backflow preventer.

The body of the meter box is made from rigid PVC which has a high insulating "R" value to resist "frost bridging" inside the box. For extremely cold climates, an optional insulating pad is available which traps the relatively warm air rising from the earth, to keep the meter set from freezing.

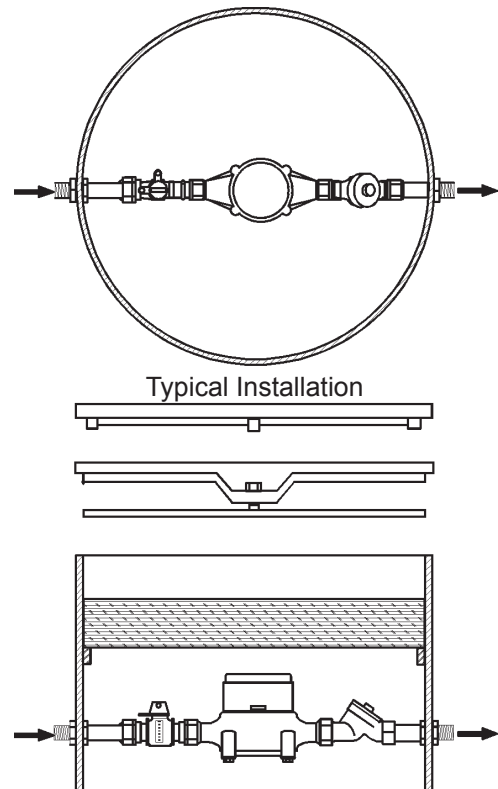
Mueller Inline EZ-SETTER Meter Boxes are shipped fully assembled, ready for meter installation. Their light weight saves shipping costs and makes installation a one man job in most cases. Every box is factory tested and has a 150 psig maximum working pressure rating.

The Mueller Inline EZ-SETTER Meter Box is available for 5/8" to 1" meters. A wide variety of end connections, control valves, box depths, lids and other options provide you with the meter set that you want. Due to the almost endless combination of features available, each box is custom built to your specifications. See page 8F.6 for ordering instructions.

Manufactured under one or more of the following: U.S. Patent No. 4,614,113; 4,813,281

**Mueller Inline EZ-SETTER Meter Box Features**

- Rigid .300 minimum wall PVC material holds shape and resists frost bridging
- Optional insulation pad traps earth's heat
- White interior aids visibility
- Meter set is anchored to meter box wall to maintain alignment and stability
- Male I.P. thread inlet and outlet connections accept a variety of MUELLER Service Fittings – see section 6
- Optional aluminum bottom available
- Large selection of optional lids





Rev. 10-18 Shaded area indicates changes

## Mueller Inline EZ-SETTER Meter Box ordering instructions

To order a Mueller Inline EZ-SETTER Meter Box, simply choose the options you require from the nine categories listed below and place the option code on the appropriate line of the catalog number shown below.

Contact the factory for price and delivery information for double and tandem type boxes and other options not listed. Phone 1-800-423-1323 or fax 1-217-425-7537.

### Catalog Number

(1) \_\_\_\_\_ (2) \_\_\_\_\_ (3) \_\_\_\_\_ (4) \_\_\_\_\_ (5) \_\_\_\_\_ (6) \_\_\_\_\_ (7) \_\_\_\_\_ (8) \_\_\_\_\_ (9) \_\_\_\_\_

## Options

### 1 - Meter Size

NOTE: Meter is not furnished. Order meter separately.

Meter Size	Code Number
5/8"	200
5/8" x 3/4"	203
3/4"	250
1"	330

### 2 - Box Style

Box Style	Code Number
Single meter	IS
Double meter	ID

### 3 - Box Diameter

Box Diameter	Code Number
<b>18" box with meter coupling outlet for use with:</b> 5/8, 5/8 x 3/4 single meters 5/8, 5/8 x 3/4 double meters	18
<b>18" box with lockwing meter valve or dual check valve outlet for use with:</b> 1 single meters 5/8, 5/8 x 3/4 single meters 5/8, 5/8 x 3/4 double meters	18
<b>21" box with lockwing meter valve or dual check valve outlet for use with:</b> 5/8, 5/8 x 3/4 or 3/4 single meters 5/8, 5/8 x 3/4 or 3/4 double meters	21

### 4 - Box Depth

Depth	Code Number	Depth	Code Number
10"	10	15"	15
11"	11	16"	16
12"	12	17"	17
13"	13	18"	18
14"	14	-	-

### 5 - Meter Inlet Type

Meter Inlet	Code Number
Meter coupling	A
Lockwing meter stop	L
Lockwing ball valve (full port)	F
Lockwing ball valve (reduced port)	R
Lockwing ball valve full port with 360° turn	X
Lockwing ball valve reduced port with 360° turn	T

### 6 - Meter Outlet Type

Meter Outlet	Code Number
Meter coupling	A
Dual check valve	B
A.S.S.E. Dual check valve	S
Lockwing angle meter stop	L
Lockwing ball valve (full port)	F
Lockwing ball valve (reduced port)	R
Lockwing ball valve full port with 360° turn	X
Lockwing ball valve reduced port with 360° turn	T

### 7 - Box Bottom Type

Bottom Type	Code Number
Attached bottom	A
Less bottom	B
Plastic bottom	P

### 8 - Type of Box Locking Device

(box is ordered with device to accept either a non-locking lid, center locking or side locking lid). Lids must be ordered separately.

Lock Type	Code Number
Non-locking	N
Center locking	L
Side locking	S

### 9 - No Lead Brass

Code Number
N

\* These meter outlet types may require using larger size box. Contact MUELLER Customer Service Center for more details.

Mueller Valves and Couplings used in these meter box assemblies are manufactured and tested in accordance with ANSI/AWWA C800. Components in contact with potable water will also comply with latest requirements of the Federal Safe Drinking Water Act.



Above box shown with optional aluminum bottom and is sectioned to illustrate valve and fitting.

The Mueller Riser EZ-SETTER Meter Box provides a means to quickly install a meter. To make the meter more accessible in deeper boxes, the meter is set on a riser which positions it closer to ground level. The Riser EZ-SETTER comes pre-assembled, tested and ready to install. These meter boxes can also be ordered for double meter sets or tandem sets for meter and regulator or meter and backflow preventer.

The body of the meter box is made from rigid PVC which has a high insulating "R" value to resist "frost bridging" inside the box. For extremely cold climates, an optional insulating pad is available which traps the relatively warm air rising from the earth, to keep the meter set from freezing.

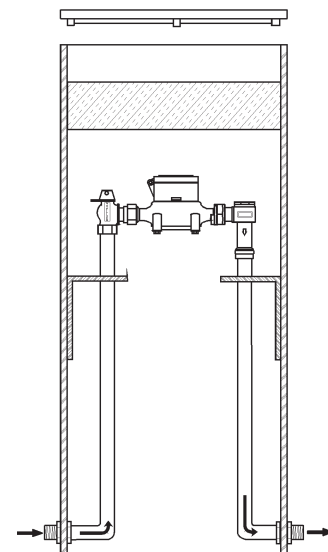
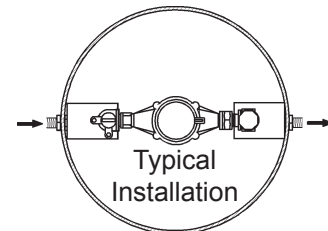
Mueller Riser EZ-SETTER Meter Boxes are shipped fully assembled, ready for meter installation. Their light weight saves shipping costs and makes installation a one man job in most cases. Every box is factory tested and has a 150 psig maximum working pressure rating.

Mueller Riser EZ-SETTER Meter Boxes are available for 5/8" to 1" meters. A wide variety of end connections, control valves, box depths, lids and other options provide you with the meter set that you want. Due to the almost endless combination of features available, each box is custom built to your specifications. See page 8F.8 for ordering instructions.

Manufactured under one or more of the following: U.S. Patent No. 4,614,113; 4,813,281

### Mueller Riser EZ-SETTER Meter Box Features

- Rigid .300 minimum wall PVC material holds shape and resists frost bridging
- Optional insulation pad traps earth's heat
- White interior aids visibility
- Meter set is anchored to meter box wall to maintain alignment and stability
- Male I.P. thread inlet and outlet connections accept a variety of MUELLER Service Fittings--see section 6
- Optional aluminum bottom available
- Large selection of optional lids



Rev. 5-18 Shaded area indicates changes

## Mueller Riser EZ-SETTER Meter Box ordering instructions

To order a MUELLER Riser EZ-SETTER Meter Box, simply choose the options you require from the nine categories listed below and place the option code on the appropriate line of the catalog number shown below.

If the box you need is a tandem type, please fill out the tandem information box shown below the options listing and contact the factory for price and delivery information. Phone 1-800-423-1323 or fax 1-217-425-7537.

### Catalog Number

(1) \_\_\_\_\_ (2) \_\_\_\_\_ (3) \_\_\_\_\_ (4) \_\_\_\_\_ (5) \_\_\_\_\_ (6) \_\_\_\_\_ (7) \_\_\_\_\_ (8) \_\_\_\_\_ (9) \_\_\_\_\_

## Options

### 1 - Meter Size

NOTE: Meter is not furnished. Order meter separately.

Meter Size	Code Number
5/8"	200
5/8" x 3/4"	203
3/4"	250
1"	330

### 2 - Box Style

Box Style	Code Number
Single meter	RS
Double meter	RD
Tandem	RT

### 3 - Box Diameter

Box Diameter	Code Number
18" box is for use with: 5/8, 5/8 x 3/4, 3/4 or 1 single meters; 5/8, 5/8 x 3/4 or 3/4 tandems 5/8, 5/8 x 3/4 or 3/4 double meters	18
21" box is for use with: 1" tandems	21

### 4 - Box Depth

Depth	Code Number	Depth	Code Number
14"	14	21"	21
15"	15	22"	22
16"	16	23"	23
17"	17	24"	24
18"	18	25"	25
19"	19	26"	26
20"	20	-	-

### 5 - Meter Inlet Type

Meter Inlet	Code Number
Meter coupling	A
Lockwing angle meter stop	L
Lockwing angle ball valve (full port)	F
Lockwing angle ball valve (reduced port)	R
Lockwing angle ball valve full port with 360° turn	X
Lockwing angle ball valve reduced port with 360° turn	T

### 6 - Meter Outlet Type

Meter Outlet	Code Number
Meter coupling	A
Dual check valve	B
A.S.S.E. Dual check valve	S
A.S.S.E. Top entry vertical check	V
Lockwing angle meter stop	L
Lockwing angle ball valve (full port)	F
Lockwing angle ball valve (reduced port)	R
Lockwing angle ball valve full port with 360° turn	X
Lockwing angle ball valve reduced port with 360° turn	T
A.S.S.E. top entry vertical check with sample port	H
Angle Ball Valve Full Port; Cap Without Lockwing	C

### 7 - Box Bottom Type

Bottom Type	Code Number
Attached bottom	A
Less bottom	B
Plastic bottom	P

### 8 - Type of Box Locking Device

(box is ordered with device to accept either a non-locking lid, center locking or side locking lid). Lids must be ordered separately.

Lock Type	Code Number
Non-locking	N
Center locking	L
Side locking	S

### 9 - No Lead Brass

Code Number
N

### Tandem box order information

Type of tandem device (regulator, backflow preventer, etc.) \_\_\_\_\_

Size \_\_\_\_\_ and length \_\_\_\_\_ of tandem device

Tandem device manufacturer's name \_\_\_\_\_ Tandem device model number \_\_\_\_\_

NOTE: Tandem device is not furnished and must be ordered separately.





Above box shown with optional lid ring and lid and is sectioned to illustrate valves and fittings.

The Mueller EZ-VAULT Meter Setters provide a means to quickly install a 1-1/2" or 2" meter. The EZ-VAULT permits cities and water companies to standardize larger meter sets increasing convenience and efficiency during construction. The factory pre-aligned setter is stabilized to prevent shifting during backfilling. This makes it easier and more efficient to install or change out meters at a later time. The EZ-VAULT Meter Setter eliminates on-site fabrication and construction, saving time, material and labor costs.

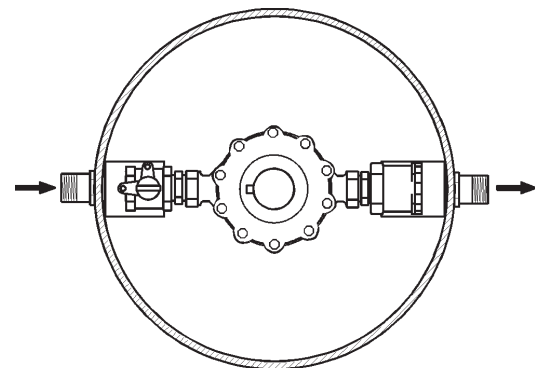
Mueller EZ-VAULT Meter Setters are shipped fully assembled, ready for meter installation. Their light weight saves shipping costs and makes installation a one man job in most cases. Every box is factory tested and has a 150 psig maximum working pressure rating.

The Mueller EZ-VAULT Meter Setter is available for 1-1/2" and 2" meters. A wide variety of end connections, control valves, box depths, lids and other options provide you with the meter set the way you want it. Due to the almost endless combination of features available, each box is custom built to your specifications. See page 8F.10 for ordering instructions.

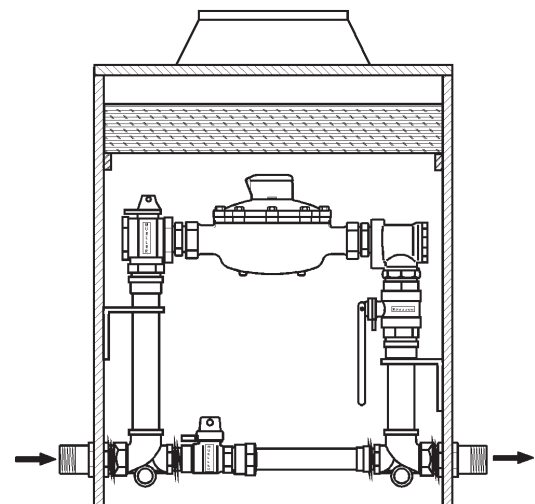
Manufactured under one or more of the following: U.S. Patent No. 4,614,113; 4,813,281

### Mueller EZ-VAULT Meter Setter Features

- Rigid .486 minimum wall PVC material holds shape and resists frost bridging
- Lightweight - can be handled by one man in most cases
- White interior aids visibility
- PVC brackets attached to shell stabilize brass meter risers
- For 1-1/2" and 2" meters
- Optional insulation pad traps earth's heat
- Male I.P. thread inlet and outlet connections accept a variety of MUELLER Service Fittings--see section 6
- Optional aluminum bottom available
- 150 psig maximum working pressure
- Optional transition ring and frame for use with 18" lid



Typical Installation



Rev. 5-18 Shaded area indicates changes

## Mueller EZ-VAULT Meter Setter ordering instructions

To order a Mueller EZ-VAULT Meter Setter, simply choose the options you require from the eight categories listed below and place the option code on the appropriate line of the catalog number shown below.

If you require options not listed, please fill out the information box shown below the options listing and contact the factory for price and delivery information. Phone 1-800-423-1323 or fax 1-217-425-7537.

### Catalog Number

(1)\_\_\_\_\_ (2)\_\_\_\_\_ (3)\_\_\_\_\_ (4)\_\_\_\_\_ (5)\_\_\_\_\_ (6)\_\_\_\_\_ (7)\_\_\_\_\_ (8)\_\_\_\_\_

## Options

### 1 - Meter Size

NOTE: Meter is not furnished. Order meter separately.

Meter Size	Code Number
1-1/2"	500
2"	550

### 2 - Box Style

Box Style	Code Number
Single meter	VS
Single meter with by-pass	VB
Single meter with tandem (36" box)	VT

### 3 - Box Diameter

Box Diameter	Code Number
<b>24" box is for use with:</b> 1-1/2" single flanged meter with or without by-pass	24
<b>27" box is for use with:</b> 2" single flanged meter with or without by-pass	27
<b>36" box is for use with:</b> single meter with or without by-pass and with or without tandem	36

### 4 - Box Depth

Depth	Code Number	Depth	Code Number
30"	30	48"	48
36"	36	54"	54
42"	42	60"	60

### Special requirements order information

Please specify special requirements and include drawing or photo if possible:

---



---



---



---



---

### 5 - Meter Inlet Type

Meter Inlet	Code Number
Meter coupling	A
Lockwing angle meter stop	L
Lockwing angle ball valve (full port)	F
Lockwing angle ball valve full port with 360° turn	X
Lockwing angle ball valve reduced port with 360° turn	T

### 6 - Meter Outlet Type

Meter Outlet	Code Number
Meter coupling	A
Dual check valve	B
A.S.S.E. Dual check valve	S
A.S.S.E. Top entry vertical check	V
Lockwing angle meter stop	L
Lockwing angle ball valve (full port)	F
Lockwing angle ball valve full port with 360° turn	X
Lockwing angle ball valve reduced port with 360° turn	T
A.S.S.E. top entry vertical check with sample port	H
Angle Ball Valve Full Port; Cap Without Lockwing	C

### 7 - Box Bottom Type

Bottom Type	Code Number
Attached bottom	A
Less bottom	B
Plastic bottom	P

### 8 - No Lead Brass

Code Number
N

**Thermal shells**



Thermal shells are meter setter boxes only and do not include any fittings. The shells are available with a "V" notch option to allow service lines access to shell interior.

Catalog number		Diameter x depth	Catalog number		Diameter x depth
Shell	Shell with "V" notch		Shell	Shell with "V" notch	
SO1512	SV1512	15"x12"	SO2122	SV2122	21"x22"
SO1514	SV1514	15"x14"	SO2124	SV2124	21"x24"
SO1516	SV1516	15"x16"	SO2126	SV2126	21"x26"
SO1518	SV1518	15"x18"	SO2128	SV2128	21"x28"
SO1520	SV1520	15"x20"	SO2130	SV2130	21"x30"
SO1524	SV1524	15"x24"	SO2136	SV2136	21"x36"
SO1526	SV1526	15"x26"	SO2142	SV2142	21"x42"
SO1528	SV1528	15"x28"	SO2148	SV2148	21"x48"
SO1530	SV1530	15"x30"	SO2154	SV2154	21"x54"
SO1812	SV1812	18"x12"	SO2160	SV2160	21"x60"
SO1814	SV1814	18"x14"	SO2424	SV2424	24"x24"
SO1816	SV1816	18"x16"	SO2426	SV2426	24"x26"
SO1818	SV1818	18"x18"	SO2428	SV2428	24"x28"
SO1820	SV1820	18"x20"	SO2430	SV2430	24"x30"
SO1822	SV1822	18"x22"	SO2436	SV2436	24"x36"
SO1824	SV1824	18"x24"	SO2442	SV2442	24"x42"
SO1826	SV1826	18"x26"	SO2448	SV2448	24"x48"
SO1828	SV1828	18"x28"	SO2454	SV2454	24"x54"
SO1830	SV1830	18"x30"	SO2460	SV2460	24"x60"
SO1836	SV1836	18"x36"	SO2724	SV2724	27"x24"
SO1842	SV1842	18"x42"	SO2730	SV2730	27"x30"
SO1848	SV1848	18"x48"	SO2736	SV2736	27"x36"
SO2112	SV2112	21"x12"	SO2742	SV2742	27"x42"
SO2114	SV2114	21"x14"	SO2748	SV2748	27"x48"
SO2116	SV2116	21"x16"	SO2754	SV2754	27"x54"
SO2118	SV2118	21"x18"	SO2760	SV2760	27"x60"
SO2120	SV2120	21"x20"	-	-	-
-	-	-	SO3636	SV3636	36"x36"
-	-	-	SO3642	SV3642	36"x42"
-	-	-	SO3648	SV3648	36"x48"
-	-	-	SO3654	SV3654	36"x54"
-	-	-	SO3660	SV3660	36"x60"

**Insulating pad**



Insulating pads are available in 2" and 4" thicknesses. These pads are made from a closed cell foam poly material that provides excellent insulating qualities and resists moisture absorption.

Meter setter box dia.	2" thick pad	4" thick pad
15"	790162	790022
18"	790163	790153
21"	-	790119
24"	790164	-
27"	-	790058
36"	-	-

**Meter setter box extensions**



Meter setter box extensions are made from the same material and has the same wall thickness as the shell it will be set on. The lower end of the extension has guides attached to keep the extension properly centered. The top of the extensions are prepared to accept lids as illustrated on page 8F.10\*.

Meter setter box dia.	Extension length						
	2"	3"	4"	6"	8"	10"	12"
15"	SE1502	-	SE1504	SE1506	SE1508	SE1510	SE1512
18"	SE1802	-	SE1804	SE1806	SE1808	SE1810	SE1812
21"	SE2102	-	SE2104	SE2106	SE2108	SE2110	SE2112
24"	SE2402	-	SE2404	SE2406	SE2408	SE2410	SE2412
27"	SE2702	-	SE2704	SE2706	SE2708	SE2710	SE2712
36"	-	SE3603	-	-	-	-	-

\* NOTE: Specify the lid part number to be used with the extension ordered.

Rev. 4-16 Shaded area indicates changes



**Flat lid with side mounted standard waterworks pentagon nut lock**

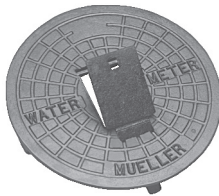
Lid Part Number	Lid Size
282924	15"
282925	18"



**Flat lid - no lock**

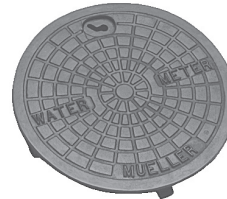
Lid Part Number	Lid Size
790007	15"
790018	18"

*NOTE: These lids cannot be used with lid frames*



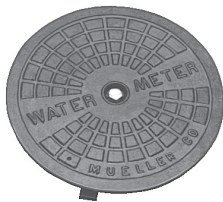
**Flat lid - no lock with reader lid**

Lid Part Number	Lid Size
282921	18"



**Flat lid with side mounted key lock**

Lid Part Number	Lid Size
282926	15"
282927	18"



**Flat lid with center mounted Mueller pentagon nut lock**

Lid Part Number	Lid Size
780068	15"
780069	18"

*NOTE: These lids cannot be used with lid frames*



**Composite Meter Lid**

Lid Part Number	Lid Size
311954	15" - 5lbs.
311955	18" - 7lbs.

*Shown with Optional Lock*



Made of tough, engineered composite material. Light in weight yet strong. Integral mounting terminals for R.F. metering. Specify options on order: side lock; reclaimed water marking.

**Lid Frames**

Lid frames can be used when boxes are installed in soil, concrete, or asphalt.

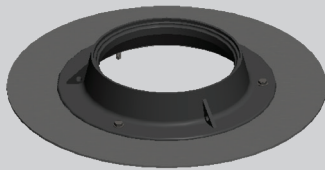


Frame Part Number	Lid Size Opening	Box Diameter Frame Fits
700097	15"	15" & 18"
700098	18"	18", 21", 24" & 27"

*NOTE: The frame adds 4" of height to the meter box. Select a lid from catalog page 8F.12*

**Transition Ring and Frame**

Transition rings and frames can be used when boxes are installed in soil, concrete, or asphalt.



Frame Part Number	Lid Size Opening	Box Diameter Frame Fits
790438	18"	36"

*NOTE: The frame adds 4-1/2" of height to the meter box. Select a lid from catalog page 8F.12*

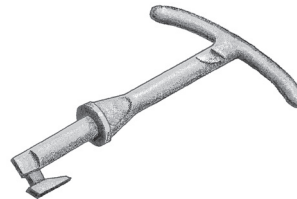
**Lid keys**



**H-10820**

**H-10820 Multiple wrench**

Fits both Mueller pentagon and standard waterworks pentagon nuts. Not furnished with boxes- order separately.



**790241**

**790241 Key handle**

Fits "key" lock lids and is used to unlock and lift lid. Not furnished with boxes - order separately.



Rev. 6-15 Shaded area indicates changes



### Air Release Valve Vault

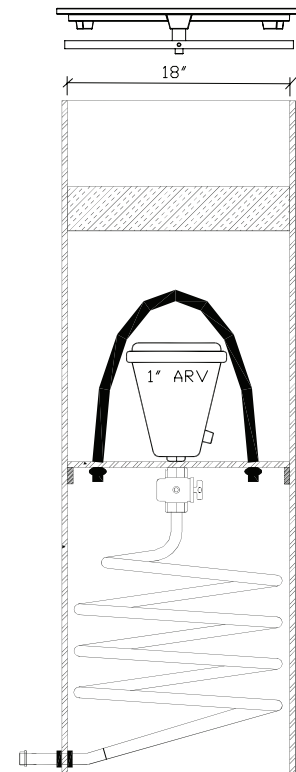
The Mueller Air Release Valve Vault provides a means to quickly install an Air Release Valve\*. To make the air release valve more accessible, Mueller provides a steel mounting platform and an inline ball valve that can be controlled from ground level using a built-in key extension rod. The Air Release Valve Vault is available in both 15-inch and 18-inch diameter sizes with a wide range of bury depths.

#### Features: 2" Models

- Mounted on a steel platform for support of the air release valve\*
- 2" inline ball valve that can be controlled from the top of the vault by an extension rod
- 2" threaded connection for ease of installation
- 2" NTP connection for the air release valve\*
- Housed in an 18" diameter PVC protective, in ground housing (ASTM D-224 and D-1794)
- Can be covered using a locking or non-locking lid

#### Features: ¾" and 1" Models

- Mounted on a platform that can be raised and lowered using Mueller's Therma-Coil® design
- ¾" or 1" threaded connection on the inlet and outlet sides for ease of installation
- ¾" or 1" NTP connection for the air release valve\*
- Housed in a 15" or 18" diameter PVC protective, in ground housing (ASTM D-224 and D-1794)
- Can be covered using of a locking or non-locking lid



\* Air release valve supplied by PRATT or others.

NOTE: The PRATT WCV-20-332-300 (water applications) and WWCV-20-018-150 air release valves could be utilized in the 2" Mueller Air Release Vaults above.

**Mueller Air Release Valve Vault ordering instructions**

To order a Mueller Air Release Valve Vault, simply choose the options you require from the categories listed below and place the option code on the appropriate line of the catalog number shown.

Contact the factory for price and delivery information. Phone 1-800-423-1323 or fax 1-217-425-7537.

**Catalog Number**

(1)\_\_\_\_\_ (2)\_\_\_\_\_ (3)\_\_\_\_\_ (4)\_\_\_\_\_ (5)\_\_\_\_\_ (6)\_\_\_\_\_

**Options**

**1** Air Release Valve size  
*NOTE: Meter is not furnished.  
Order meter separately.*

Meter Size	Code Number
3/4"	250
1"	330
2"	550

**5** Box bottom type

Bottom Type	Code Number
Less bottom	B
15" attached bottom	A
18" attached bottom	A

**2** Box Style

Box Style	Code Number
Air Release	AR

**6** Box lid type  
(box is ordered with device to accept either a non-locking lid, center locking or side locking lid). Lids must be ordered separately.

Lid Type	Code Number
Non-locking	C
Center-locking	L
Side-locking	S

**3** Box diameter

Box Diameter	Code Number
15" box	15
18" box	18

**Special Note:**

When ordering, please specify the BRAND and MODEL/FIGURE NUMBER of the Air Release Valve being used.

**4** Box depth

3/4" and 1" Air Release Valves			
Depth	Code Number	Depth	Code Number
30"	30	78"	78
36"	36	84"	84
42"	42	90"	90
48"	48	96"	96
54"	54	-	-
60"	60	-	-
66"	66	-	-
72"	72	-	-
2" Air Release Valves			
Depth	Code Number	Depth	Code Number
30"	30	-	-
36"	36	-	-

**Lid and Installation Pads**

Lids and insulation pads are OPTIONAL. See page 8F.11 and 8F.12 for more information.

Rev. 4-15 Shaded area indicates changes

---



**Reliable Connections™**

[www.muellercompany.com](http://www.muellercompany.com) • [moreinfo@muellercompany.com](mailto:moreinfo@muellercompany.com)