

Write purchased model number here.  
Escriba aquí el número del modelo comprado.  
Inscrivez le numéro de modèle ici.

Date of Purchase: \_\_\_\_\_  
Fecha de compra \_\_\_\_\_  
Date d'achat \_\_\_\_\_

Register Online  
Regístrese en línea  
S'enregistrer en ligne  
[www.brizo.com/customer-support/product-registration](http://www.brizo.com/customer-support/product-registration)

**Included In This Kit**  
**Incluidas en este equipo**  
**Inclus dans ce kit**

To reference replacement parts and access additional technical documents and product info, visit [www.brizo.com](http://www.brizo.com)

Para referencia sobre las piezas de repuesto y acceder a documentos técnicos adicionales e información del producto, visite [www.brizo.com](http://www.brizo.com)

Pour obtenir la référence des pièces de rechange ainsi que pour avoir accès à d'autres documents techniques et renseignements sur le produit, allez à [www.brizo.com](http://www.brizo.com)

 1-877-345-BRIZO (2749)  
[www.brizo.com/customer-support](http://www.brizo.com/customer-support)

Read all instructions prior to installation.

**⚠ CAUTION**

Failure to read these instructions prior to installation may result in personal injury, property damage, or product failure. Manufacturer assumes no responsibility for product failure due to improper installation.

Lea todas las instrucciones antes de hacer la instalación.

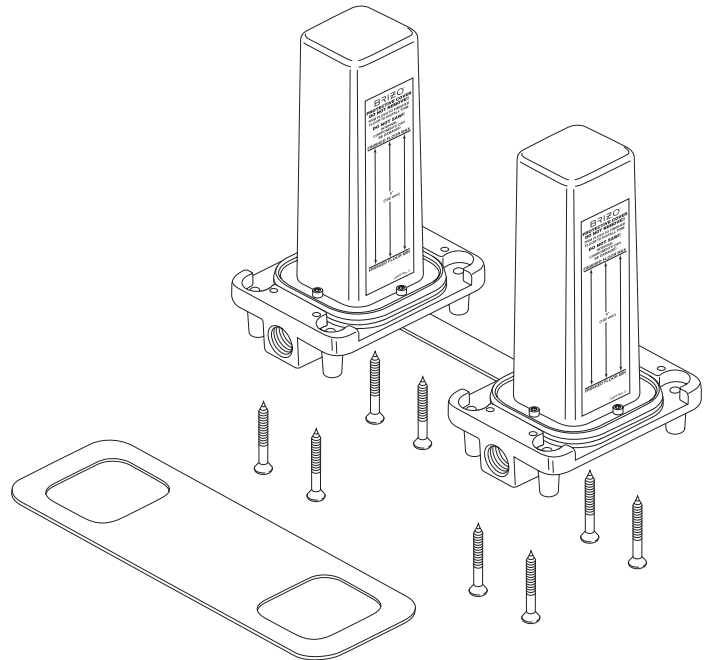
**⚠ ADVERTENCIA**

El no leer estas instrucciones de instalación puede resultar en lesiones personales, daños a la propiedad, o falla en el funcionamiento del producto. El fabricante no asume ninguna responsabilidad por la falla del producto debido a una instalación incorrecta.

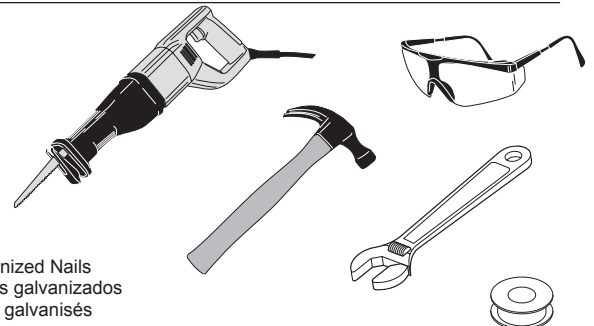
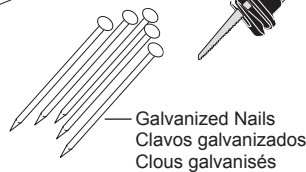
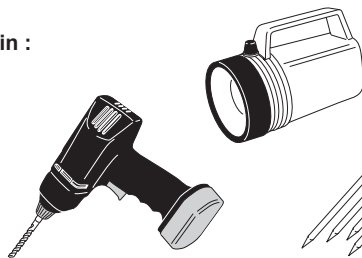
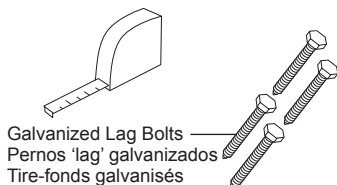
Veillez lire toutes les instructions avant l'installation.

**⚠ AVERTISSEMENT**

L'omission de lire les présentes instructions avant l'installation peut entraîner des blessures, des dommages matériels ou le bris du produit. Le fabricant se dégage de toute responsabilité à l'égard d'un bris du produit causé par une mauvaise installation.



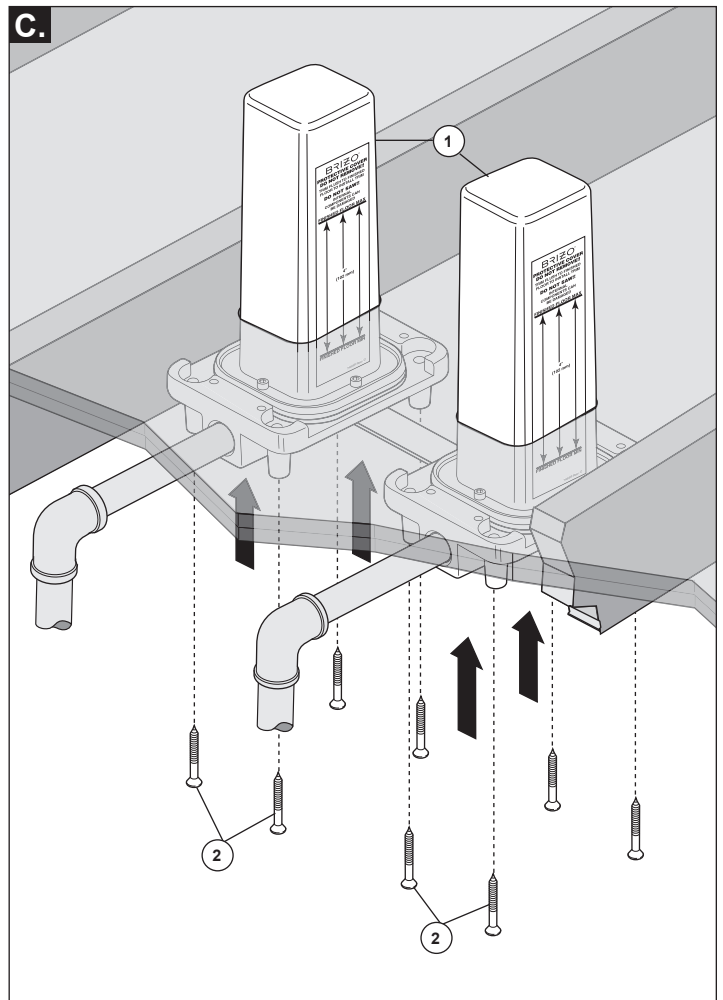
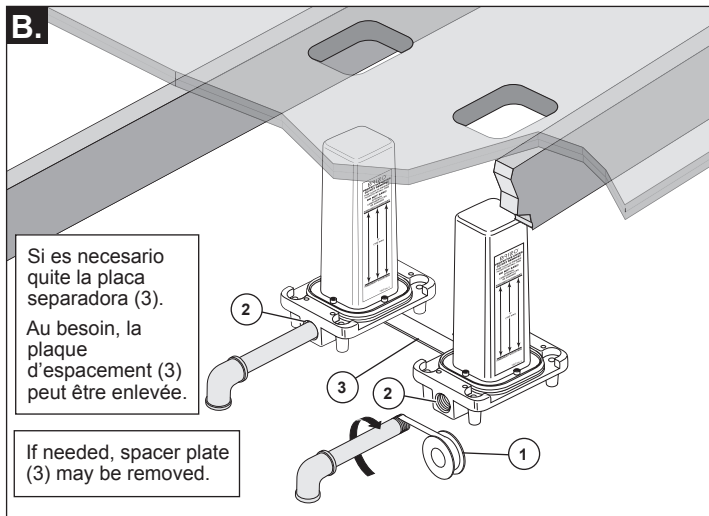
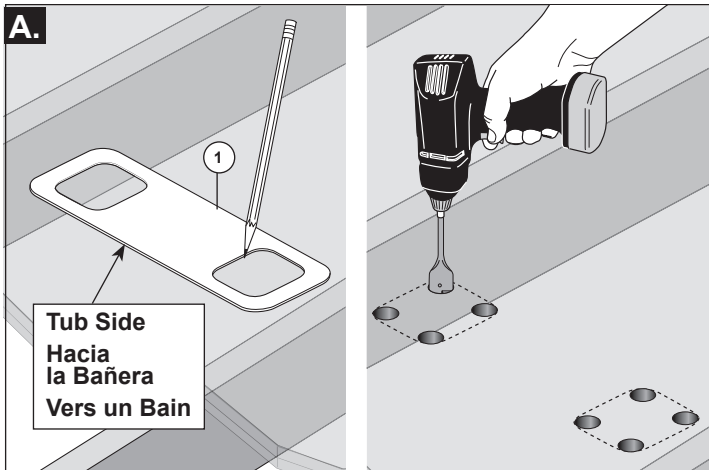
You may need:  
Usted puede necesitar:  
Articles dont vous pouvez avoir besoin :



## Mounting Under a Subfloor (Subfloor Must Be 3/4" Minimum In Thickness)

La instalación debajo de un contrapiso (el contrapiso debe ser de un mínimo de 3/4" de grosor)

Montage sous un faux-plancher (le faux-plancher doit avoir au moins 3/4 po d'épaisseur)



Direct mounting to subfloor may be preferred in some applications, the **SUBFLOOR MUST BE 3/4" MINIMUM IN THICKNESS** and properly secured to floor joists.

**A.** Determine faucet location; then, position template (1), providing for proper alignment with tub. Using template as a guide, mark the area to be cut out. Drill 4 - 1" holes in corners for both cutouts; then, saw out the remaining areas. **Note: Plasterguards should fit tight in openings.**

**B.** Make supply plumbing connections using plumber tape (1) into 1/2" NPT inlets (2) in rough body.

**C.** Slide rough assembly (1) into holes and secure to bottom of subfloor with the 8 screws (2) provided. Rough assembly can now be air or water pressure tested for leaks in supply plumbing, and is ready to install trim.

En algunas aplicaciones es preferible la instalación directa en el contrapiso. **EL CONTRAPISO DEBE SER DE UN MÍNIMO DE 3/4" DE GROSOR** y estar adecuadamente fijado a las vigas del piso.

**A.** Determine la ubicación de la llave de agua/grifo, y luego coloque la plantilla o molde en su posición (1), proporcionando una guía para la alineación correcta con la bañera (tina). Usando la plantilla como guía, marque el área que debe cortar. Perfore 4 agujeros de 1" uno en cada esquina, y corte el área restante. **Nota: El enlucido debe encajar firmemente en la apertura.**

**B.** Haga las conexiones a las tuberías de suministro usando sellador de plomero (1) en las entradas de 1/2" NPT (2) en la tubería interna.

**C.** Deslice el ensamble de la tubería interna (1) en los orificios y fije a la parte inferior del contrapiso con los 8 tornillos (2) proporcionados. Ahora puede hacerle la prueba de presión de aire o de agua para asegurar que no hayan fugas en la plomería de suministro, y ya está listo para instalar el accesorio.

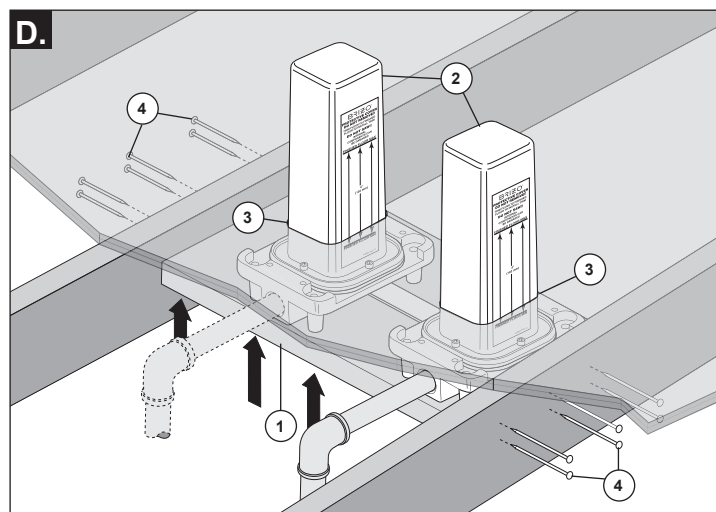
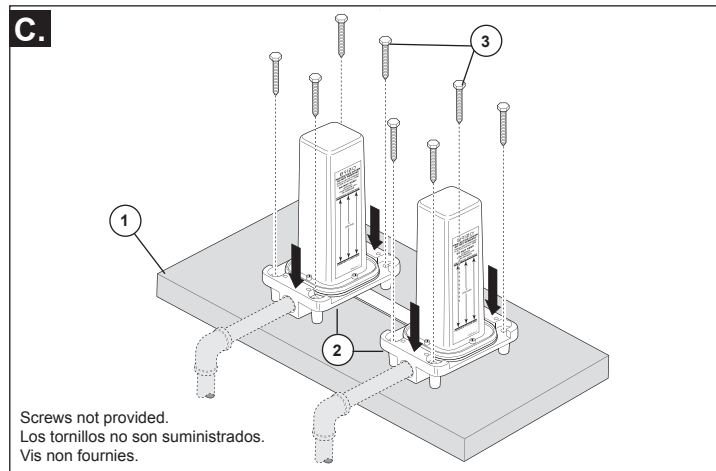
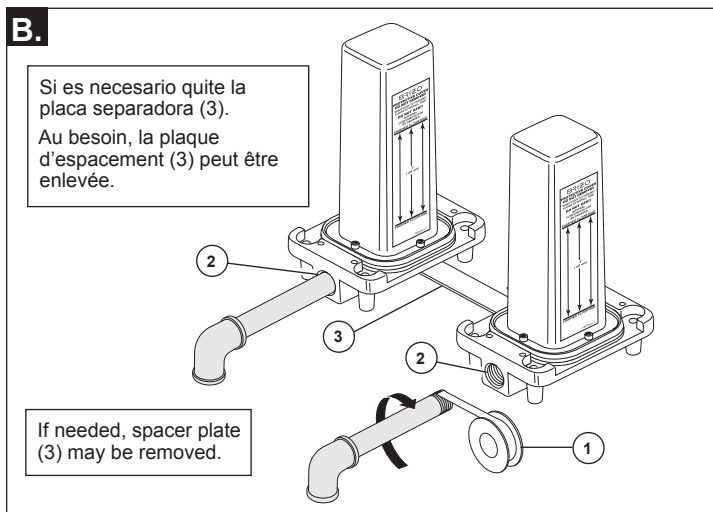
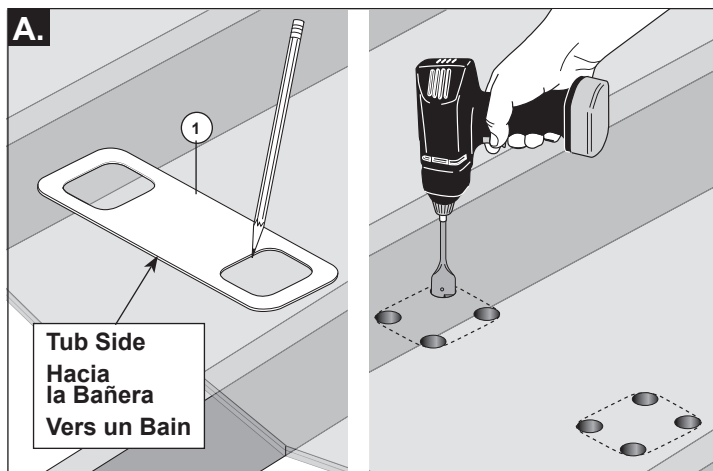
Il peut être préférable de fixer le robinet directement au faux-plancher dans certains cas. **LE FAUX-PLANCHER DOIT AVOIR AU MINIMUM 3/4 PO D'ÉPAISSEUR** et il doit être bien fixé aux solives.

**A.** Déterminez l'emplacement du robinet, puis positionnez le gabarit (1) en l'orientant correctement par rapport à la baignoire. À l'aide du gabarit, marquez la surface à découper. Percez 4 trous de 1 po dans les coins de la surface à découper, puis découpez la surface. **Note : Les boîtiers de protection doivent s'ajuster parfaitement dans les ouvertures.**

**B.** Appliquez du ruban d'étanchéité (1) sur les filets des tuyaux d'alimentation et vissez les tuyaux dans les orifices d'entrée 1/2 po NPT (2) du corps du robinet brut.

**C.** Introduisez le robinet brut (1) dans les trous et fixez la partie inférieure au faux-plancher à l'aide des 8 vis (2) fournies. Vérifiez ensuite l'étanchéité de la tuyauterie d'alimentation du robinet brut avec de l'eau ou de l'air sous pression. Vous pouvez maintenant installer les éléments de finition.

**Mounting Under a Subfloor Using a Rigid Stringer (Required if Subfloor is Less Than 3/4" In Thickness)**  
**La instalación debajo de un contrapiso usando un larguero rígido (requerido si el contrapiso es de un grosor menor de 3/4")**  
**Montage sous un faux-plancher à l'aide d'une traverse rigide (requisie si le faux-plancher a moins de 3/4 po d'épaisseur)**



**Note: The use of a rigid stringer is only required if subfloor is less than 3/4" in thickness.**

- A.** Determine faucet location; then, position template (1), providing for proper alignment with tub. Using template as a guide, mark the area to be cut out. Drill 4 - 1" holes in corners for both cutouts; then, saw out the remaining areas. **Note: Plasterguards should fit tight in openings.**
- B.** Make necessary supply plumbing connections using plumber tape (1) into 1/2" NPT inlets (2) in rough body.

**Nota: El uso de un larguero rígido sólo es necesario si el contrapiso es de un grosor menor de 3/4".**

- A.** Determine la ubicación de la llave de agua/grifo, y luego, coloque la plantilla en su posición (1), para proporcionarle la alineación correcta con la bañera (tina). Usando la plantilla como guía, marque el área que va a cortar. Perfore 4 agujeros de 1" cada uno en las esquinas, y, corte el área restante. **Nota: El protector de yeso debe encajar firmemente en la apertura.**
- B.** Haga las conexiones a las tuberías de suministro usando sellador de plomero (1) en las entradas de 1/2" NPT (2) en la tubería interna.

- C.** Cut a rigid stringer (1) to fit snugly between the floor joists and under the installation holes, minimum recommended size of stringer is 2" x 12". Measure and position rough (2) on stringer. Secure rough to stringer using eight 1/4" x 2 1/2" lag bolts (3) (not provided).
- D.** Place stringer (1) and rough (2) between the joists and push the rough through holes in subfloor (3) and hold firmly against the subfloor. While keeping stringer level, securely fasten the stringer to the floor joists using nails or screws (4) (not provided). Rough assembly can now be air or water pressure tested for leaks in supply plumbing, and is ready to install trim.

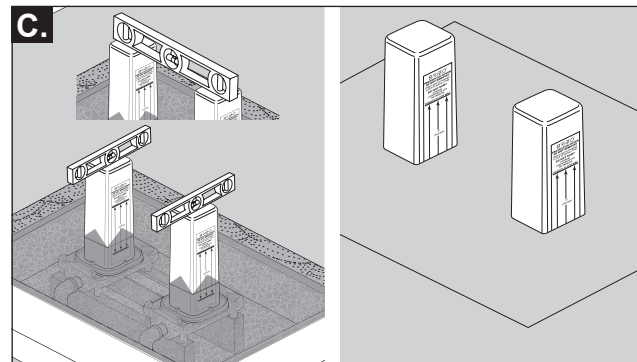
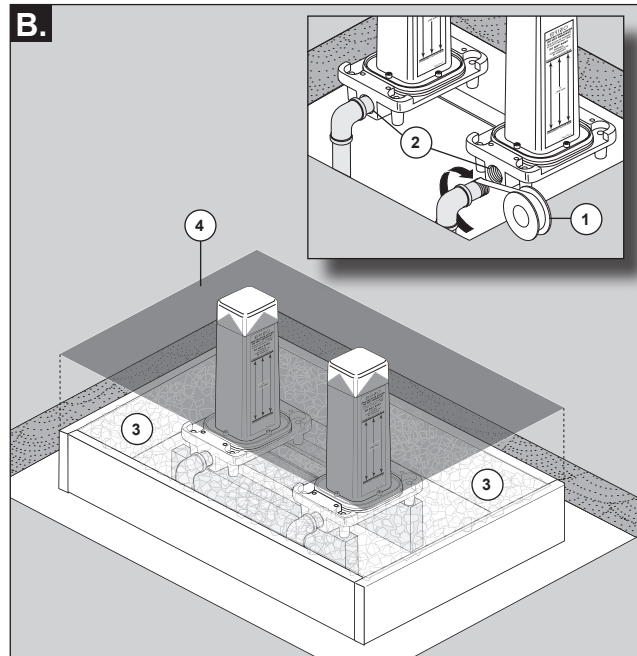
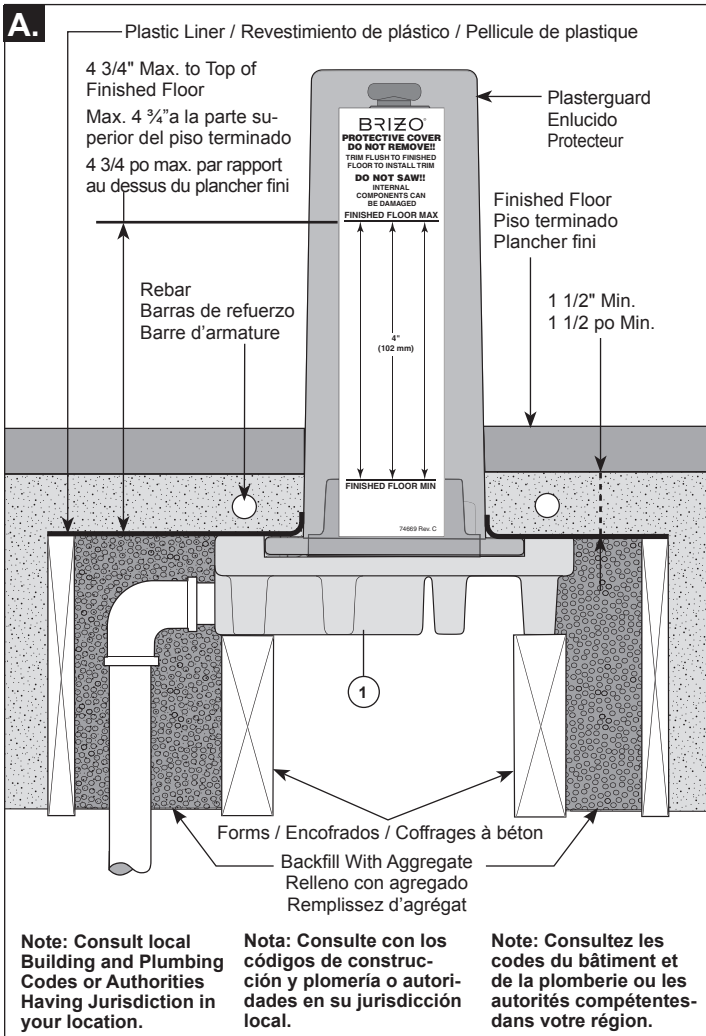
- C.** Corte un larguero rígido (1) para que encaje bien entre las vigas del piso y bajo el orificio de la instalación, el tamaño mínimo recomendado del larguero es de 2" x 12". Mida y coloque la tubería interna (2) en el larguero. Fije la tubería interna al larguero con ocho pernos 'lag' de fijación de 1/4" x 2 1/2" (3) (no suministrados).
- D.** Coloque el larguero (1) y la tubería interna (2) entre las vigas y pase la tubería interna a través del agujero en el contrapiso (3) manteniéndola firmemente contra el contrapiso. Mientras que mantiene el larguero nivelado, fije bien el larguero a las vigas del piso con clavos o tornillos (4) (no suministrados). Ahora puede hacerle la prueba de presión de aire o de agua a las tuberías internas para asegurar que no hayan fugas en la plomería de suministro, y ya está listo para instalar el accesorio.

**Note : L'utilisation d'une traverse rigide est nécessaire uniquement si le faux-plancher a moins de 3/4 po d'épaisseur.**

- A.** Déterminez l'emplacement du robinet, puis positionnez le gabarit (1) en l'orientant correctement par rapport à la baignoire. À l'aide du gabarit, marquez la surface à découper. Percez 4 trous de 1 po dans les coins de la surface à découper, puis découpez la surface. **Note : Les boîtiers de protection doivent s'ajuster parfaitement dans les ouvertures.**
- B.** Appliquez du ruban d'étanchéité (1) sur les filets des tuyaux d'alimentation et vissez les tuyaux dans les orifices d'entrée 1/2 po NPT (2) du corps du robinet brut.

- C.** Coupez une traverse rigide (1) de manière qu'elle s'ajuste parfaitement entre les solives du plancher sous les trous d'installation. La traverse doit avoir au moins 2 po sur 12 po. Prenez les mesures nécessaires et positionnez le robinet brut (2) sur la traverse. Fixez ensuite le robinet brut à la traverse au moyen de huit tire-fonds 1/4 po x 2 1/2 po (3) non fournis.
- D.** Placez la traverse (1) et le robinet brut (2) entre les solives, puis introduisez le robinet brut dans les trous du faux-plancher (3) et tenez-le solidement contre le faux-plancher. Tout en maintenant la traverse de niveau, fixez-la solidement aux solives du plancher à l'aide de clous ou de vis (4) (non fournis). Vérifiez ensuite l'étanchéité de la tuyauterie d'alimentation du robinet brut avec de l'eau ou de l'air sous pression. Vous pouvez maintenant installer les éléments de finition.

# Mounting on a Concrete Floor Instalación sobre un piso de concreto Montage sur un plancher de béton



When installing on a concrete floor, the **TOP OF THE ROUGH MUST BE 1 1/2" MINIMUM BELOW TOP OF CONCRETE.**

- A.** Determine faucet location. Secure rough assembly (1) to forms using 1/4" diameter lag bolts (not provided). Properly level rough assembly.
- B.** Measure and position rough. Make necessary supply plumbing connections using plumber tape (1) into 1/2" NPT inlets (2) in rough body. Rough assembly can now be air or water pressure tested for leaks in supply plumbing. Backfill area (3) with aggregate. **Note: Use plastic liner (4)**

(not provided) to prevent direct contact of concrete with rough and supply connections.

- C.** Ensure rough assembly is properly level; then, fill in open area with concrete. The trim is now ready to install.

Quando se instala en un piso de concreto, **la PARTE SUPERIOR DE LA INSTALACIÓN INTERNA DEBE ESTAR 1 1/2" MÍNIMO DEBAJO DE LA PARTE SUPERIOR DEL CONCRETO (HORMIGÓN).**

- A.** Determine la ubicación de la llave de agua / grifo. Fije el ensamble de la instalación interna (1) a los largueros con pernos de 1/4" de diámetro (no incluidos). Nivele correctamente el ensamble de la tubería interna.
- B.** Mida y coloque la tubería interna. Haga las conexiones necesarias de la plomería de suministro con cinta de plomero (1) en las entradas de 1/2" NPT (2) en el cuerpo de la tubería interna. Ahora puede hacerle la prueba de presión de aire o de agua a las tuberías internas para asegurar que no hayan fugas en la

plomería de suministro. Rellenar área (3) con agregado. **Nota: Utilice el forro de plástico (3) para evitar el contacto directo del concreto con las conexiones de las tuberías internas y de suministro.**

- C.** Asegure que el ensamble de la tubería interna está apropiadamente nivelada, y luego, rellene el espacio abierto con concreto. El accesorio ahora está listo para instalar.

Si vous installez le robinet brut sur un plancher de béton, **LE DESSUS DE CELUI-CI DOIT SE TROUVER À AU MOINS 1 1/2 PO SOUS LE DESSUS DE LA SURFACE DE BÉTON.**

- A.** Déterminez l'emplacement du robinet. Fixez le robinet brut (1) aux solives à l'aide de tire-fonds de 1/4 po de diamètre (non fournis). Mettez le robinet brut de niveau.
- B.** Prenez les mesures nécessaires et positionnez le robinet brut. Appliquez du ruban d'étanchéité (1) sur les filets des tuyaux d'alimentation et vissez les tuyaux dans les orifices d'entrée 1/2 po NPT (2) du corps du robinet brut. Vérifiez ensuite l'étanchéité de la tuyauterie d'alimentation du robinet brut

avec de l'eau ou de l'air sous pression. Zone de remplissage (3) de granulats. **Note : Utilisez de la pellicule de plastique (3) pour empêcher le contact direct du béton avec le robinet brut et les raccords d'alimentation.**

- C.** Assurez-vous que le robinet brut est de niveau, puis remplissez l'espace vide de béton. La finition est maintenant prête à être installée.





**Parts and Finish.** All parts (other than electronic parts, air switch power modules, batteries, and parts not supplied by Brizo Kitchen & Bath Company) and finishes of Brizo® faucets purchased from authorized Brizo sellers are warranted to the original consumer purchaser to be free from defects in material and workmanship for as long as the original consumer purchaser owns the home in which the faucet was first installed. For commercial purchasers, (a) the warranty period is ten (10) years for multi-family residential applications and (b) five (5) years for all other commercial uses, in each case from the date of purchase. For purposes of this warranty, the term "multi-family residential application" refers to the purchase of the faucet from an authorized Brizo seller by a purchaser who owns but does not live in the residential dwelling in which the faucet is initially installed, such as in a rented or leased single unit or multi-unit detached home (duplex or townhome), or a condominium, apartment building or community living center. The following installations are not considered multi-family residential applications, are excluded from the 10-year warranty, and are subject to the 5-year warranty: industrial, institutional or other business premises, such as a dormitory, hospitality premises (hotel, motel, or extended stay location), airport, educational facility, long- or short-term healthcare facility (hospital, rehabilitation center, nursing, assisted or staged-care living unit), public space or common area.

**Electronic Parts and Batteries (if applicable).** Electronic parts (other than air switch power modules and batteries), if any, in Brizo® faucets purchased from authorized Brizo sellers are warranted to the original consumer purchaser to be free from defects in material and workmanship for five (5) years from the date of purchase or, for commercial users, for one (1) year from the date of purchase. No warranty is provided on batteries.

**Air Switch Power Module.** The electronic power module of Brizo® air switches purchased from authorized Brizo sellers is warranted to the original consumer purchaser to be free from defects in material and workmanship for two (2) years from the date of purchase or, for commercial users, for one (1) year from the date of purchase.

**What We Will Do.** Brizo Kitchen & Bath Company will repair or replace, free of charge, during the applicable warranty period (as described above), any part or finish that proves defective in material and/or workmanship over normal installation, use, and service. Brizo Kitchen & Bath Company may, in its sole discretion, use new, refurbished or recertified parts or products for such repair or replacement. If repair or replacement is not practical, Brizo Kitchen & Bath Company may elect to refund the purchase price in exchange for the return of the product. **These are your exclusive remedies.**

**What is Not Covered.** Because Brizo Kitchen and Bath Company is unable to control the quality of Brizo products sold by unauthorized sellers, unless otherwise prohibited by law, this warranty does not cover Brizo products purchased from unauthorized sellers (visit Brizo.com to see a list of our Authorized Online Resellers).

Any labor charges incurred by the purchaser to repair, replace, install or remove this product are not covered by this warranty. Brizo Kitchen & Bath Company shall not be liable for any damage to the product resulting from reasonable wear and tear, outdoor use, misuse (including use of the product for an unintended application), freezing water, abuse, neglect, or improper or incorrectly performed assembly, installation, maintenance or repair, including failure to follow the applicable care and cleaning instructions. Customized components purchased by the consumer or commercial user and installed into a Brizo product, and any damage resulting from removal or improper installation of such components, are not covered by this warranty.

Brizo Kitchen & Bath Company recommends using a professional plumber for all installation and repair of faucets. We also recommend that you use only genuine Brizo® replacement parts.

## Limited Warranty on Brizo® Faucets

**What You Must Do To Obtain Warranty Service or Replacement Parts.** A warranty claim may be made and replacement parts may be obtained by calling 1-877-345-BRIZO (2749) or by contacting us by mail or online as follows (please include your model number and date of purchase):

**In the United States and Mexico:**  
Brizo Kitchen & Bath Company  
55 E. 111th Street  
Indianapolis, IN 46280  
Attention: Warranty Service  
<https://www.brizo.com/customer-support/contact-us>

**In Canada:**  
Masco Canada Limited, Plumbing Group  
Technical Service Centre  
350 South Edgeware Road  
St. Thomas, Ontario, Canada N5P 4L1  
<https://www.brizo.com/customer-support/contact-us>

Proof of purchase (original sales receipt) from the original purchaser must be made available to Brizo Kitchen & Bath Company for all warranty claims unless the purchaser has registered the product with Brizo Kitchen & Bath Company. This warranty applies only to Brizo® faucets installed in the United States of America, Canada, and Mexico.

**Limitation on Duration of Implied Warranties.** Please note that some states/provinces (including Quebec) do not allow limitations on how long an implied warranty lasts, so the below limitations may not apply to you. TO THE MAXIMUM EXTENT PERMITTED BY APPLICABLE LAW, ANY IMPLIED WARRANTY, INCLUDING THE IMPLIED WARRANTIES OF MERCHANTABILITY AND OF FITNESS FOR A PARTICULAR PURPOSE, IS LIMITED TO THE STATUTORY PERIOD OR THE DURATION OF THIS WARRANTY, WHICHEVER IS SHORTER.

**Limitation of Special, Incidental or Consequential Damages.** Please note that some states/provinces (including Quebec) do not allow the exclusion or limitation of special, incidental, or consequential damages, so the below limitations and exclusions may not apply to you. TO THE MAXIMUM EXTENT PERMITTED BY APPLICABLE LAW, THIS WARRANTY DOES NOT COVER, AND BRIZO KITCHEN & BATH COMPANY SHALL NOT BE LIABLE FOR ANY SPECIAL, INCIDENTAL, OR CONSEQUENTIAL DAMAGES (INCLUDING LABOR CHARGES) TO REPAIR, REPLACE, INSTALL OR REMOVE THIS PRODUCT, WHETHER ARISING OUT OF BREACH OF ANY EXPRESS OR IMPLIED WARRANTY, BREACH OF CONTRACT, TORT, OR OTHERWISE. BRIZO KITCHEN & BATH COMPANY SHALL NOT BE LIABLE FOR ANY DAMAGE TO THE FAUCET RESULTING FROM REASONABLE WEAR AND TEAR, OUTDOOR USE, MISUSE (INCLUDING USE OF THE PRODUCT FOR AN UNINTENDED APPLICATION, FREEZING WATER, ABUSE, NEGLIGENCE OR IMPROPER OR INCORRECTLY PERFORMED ASSEMBLY, INSTALLATION, MAINTENANCE OR REPAIR, INCLUDING FAILURE TO FOLLOW THE APPLICABLE INSTALLATION, CARE AND CLEANING INSTRUCTIONS. Notice to residents of the State of New Jersey: The provisions of this warranty, including its limitations, are intended to apply to the fullest extent permitted by the laws of the State of New Jersey.

**Additional Rights.** This warranty gives you specific legal rights, and you may also have other rights which vary from state/province to state/province.

This is Brizo Kitchen & Bath Company's exclusive written warranty, and the warranty is not transferable.

If you have any questions or concerns regarding our warranty, please contact us as provided above or visit our website at [www.brizo.com](http://www.brizo.com). © 2022 Masco Corporation of Indiana

## Garantía limitada de los grifos Brizo®

**Piezas y Acabados.** Todas las piezas (excepto los componentes electrónicos, los módulos eléctricos de interruptor de aire, las pilas y partes no suministradas por Brizo Kitchen and Bath Company) y acabados de las llaves de agua/grifo Brizo® comprados de vendedores de Brizo autorizados están garantizados al consumidor comprador original de estar libres de defectos en material y fabricación durante el tiempo que el comprador original sea propietario de la vivienda en la que la llave de agua fue originalmente instalada. Para los usuarios comerciales, (a) el período de garantía es de diez (10) años para aplicaciones en viviendas multifamiliares (apartamentos y condominios y (b) cinco (5) años para todos los demás usos comerciales, en cada caso desde la fecha de compra. Para los propósitos de esta garantía, el término "aplicación multifamiliar residencial" se refiere a la compra del grifo de un vendedor de Brizo autorizado por el comprador propietario, pero que no vive en la vivienda residencial donde inicialmente se instaló la llave de agua, como en una unidad alquilada o arrendada, o unidad o vivienda unifamiliar separada (duplex o casas adosadas), o un condominio, edificio de apartamentos o centro de vivienda comunitaria. Las siguientes instalaciones no se consideran aplicaciones multifamiliares, están excluidas de la garantía de 10 años y están sujetas a la garantía de cinco años: instalaciones industriales, institucionales u otras instalaciones comerciales, como dormitorios, instalaciones de hotelería (hotel, motel o una alberga para estancias prolongadas), aeropuerto, centro educativo, centro de atención de salud a corto o largo plazo (hospital, centro de rehabilitación, enfermería, unidad de vivienda asistida o una unidad residencial de cuidado), espacio público o área común.

**Piezas electrónicas y pilas (si aplicable).** Las piezas electrónicas (excepto los módulos de los interruptores de aire y las pilas), si las hay, de esta llave de agua/grifo Brizo® están garantizadas al consumidor comprador original de estar libres de defectos en material y fabricación durante cinco (5) años a partir de la fecha de compra en el caso de los consumidores comerciales, durante un (1) año a partir de la fecha de compra. No ofrecemos garantía en las pilas.

**Módulos del interruptor de aire.** Los módulos eléctricos de los interruptores de aire Brizo® comprados a vendedores autorizados de Brizo están garantizados al comprador consumidor original estar libres de defectos de material y mano de obra durante dos (2) años a partir de la fecha de compra o, para usuarios comerciales, por uno (1) año desde la fecha de compra.

**Lo que hacemos.** La compañía Brizo Kitchen & Bath Company reparará o reemplazará, sin costo alguno, durante el período de garantía aplicable (como descrito arriba) cualquier pieza o acabado que demuestre estar defectuosa en material y/o fabricación bajo la instalación, el uso y el servicio normal. Si la reparación o el reemplazo no es práctico, Brizo Kitchen & Bath Company puede optar por reembolsarle el precio de compra a cambio de la devolución del producto. **Estos son sus remedios exclusivos.**

**Lo que no está cubierto.** Debido a que Brizo Kitchen and Bath Company no puede controlar la calidad de los productos Brizo vendidos por vendedores no autorizados, a menos que la ley lo prohíba, esta garantía no cubre los productos Brizo comprados a vendedores no autorizados (visite Brizo.com para ver una lista de nuestros revededores autorizados en línea).

Cualquier cargo por mano de obra incurrido por el comprador para reparar, reemplazar, instalar o desmontar este producto no está cubierto por esta garantía. Brizo Kitchen & Bath Company no será responsable por cualquier daño al grifo que resulte del desgaste razonable, uso en el exterior de la propiedad, uso indebido (incluyendo el uso del producto para una aplicación indebida), agua helada, abuso, negligencia, o instalación, mantenimiento o reparación realizadas incorrectamente, incluyendo el no seguir las instrucciones correspondientes para el cuidado, la limpieza y el mantenimiento. Los componentes personalizados comprados por el consumidor o usuario comercial e instalados en un producto Brizo, y cualquier daño resultante por la extracción o instalación incorrecta de dichos componentes, no están cubiertos por esta garantía.

Brizo Kitchen & Bath Company recomienda que un plomero profesional haga toda la instalación y las reparaciones. También recomendamos que use solo piezas de repuestos originales Brizo®.

**Lo que usted debe hacer para obtener servicio de garantía o piezas de repuesto.** Puede hacer un reclamo para la garantía y puede obtener piezas de repuesto llamando al 1-877-345-BRIZO (2749) o contactándonos por correo o en línea de la siguiente manera (por favor incluya su número de modelo y fecha de compra):

**En Estados Unidos y México:**  
Brizo Kitchen & Bath Company  
55 E. 111th Street  
Indianapolis, IN 46280  
Atención: Servicio de Garantía  
<https://www.brizo.com/customer-support/contact-us>

**En Canadá:**  
Masco Canada Limited, Plumbing Group  
Technical Service Centre  
350 South Edgeware Road  
St. Thomas, Ontario, Canada N5P 4L1  
<https://www.brizo.com/customer-support/contact-us>

El comprador de compra (recibo de venta original) del comprador original debe estar disponible a Brizo Kitchen & Bath Company para todos los reclamos de garantía a menos que el comprador haya registrado el producto con Brizo Kitchen & Bath Company. Esta garantía se aplica solo a las llaves de agua/grifos Brizo® instaladas en los Estados Unidos de América, Canadá y México.

**La limitación de la duración de las garantías implícitas.** Favor tome nota de que algunos estados/provincias (incluyendo Quebec) no permiten limitaciones de la duración de una garantía implícita por lo que las limitaciones a continuación puedan no aplicarle. HASTA EL ALCANCE EN QUE LA LEY LO PERMITA, CUALQUIER GARANTÍA IMPLÍCITA, INCLUIDAS LAS GARANTÍAS IMPLÍCITAS DE COMERCIABILIDAD Y DE IDONEIDAD PARA UN PROPOSITO PARTICULAR, ESTA LIMITADA AL PERIODO LEGAL O A LA DURACION DE ESTA GARANTIA, LO QUE SEA MAS CORTO.

**Limitation of Special, Incidental or Consequential Damages.** Favor tome nota de que algunos estados/provincias (incluyendo Quebec) no permiten exclusión o limitación de daños especiales, incidentales o consecuentes, por lo cual las siguientes limitaciones y exclusiones puedan no aplicarle. HASTA EL ALCANCE MÁXIMO EN QUE LA LEY APPLICABLE LO PERMITA, ESTA GARANTÍA NO CUBRE, NI BRIZO KITCHEN & BATH COMPANY SERÁ RESPONSABLE, CUALQUIER DAÑO ESPECIAL, INCIDENTAL O CONSECUENTE (INCLUYENDO LOS GASTOS LABORALES PARA REPARAR, REEMPLAZAR, INSTALAR O DESMONTAR ESTE PRODUCTO), YA SEA EL RESULTADO DEL INCUMPLIMIENTO DE CUALQUIER GARANTÍA EXPRESA O IMPLÍCITA, INCUMPLIMIENTO DE CONTRATO, AGRAVIO O DE CUALQUIER OTRA MANERA. BRIZO KITCHEN & BATH COMPANY NO SERÁ RESPONSABLE POR CUALQUIER DAÑO AL GRIFO COMO RESULTADO DEL DESGASTE RAZONABLE, USO EN EL EXTERIOR DE LA PROPIEDAD, USO INDEBIDO (INCLUYENDO EL USO DEL PRODUCTO PARA UNA APLICACIÓN INDEBIDA), AGUA HELADA, ABUSO, NEGLIGENCIA, ENSAMBLE, INSTALACIÓN, O MANTENIMIENTO INADECUADO O INCORRECTO, INCLUYENDO EL NO SEGUIR LAS INSTRUCCIONES CORRESPONDIENTES PARA EL CUIDADO, LA LIMPIEZA Y EL MANTENIMIENTO Aviso para los residentes del estado de New Jersey: Las disposiciones de esta garantía, incluyendo las limitaciones, tienen el propósito de aplicarse en la máxima medida permitida por las leyes del estado de New Jersey.

**Derechos adicionales.** Esta garantía le otorga derechos legales específicos, y también puede tener otros derechos que varían de estado/provincia a estado/provincia.

Esta es la garantía escrita exclusiva de Brizo Kitchen & Bath Company y la garantía no es transferible.

Si tiene preguntas o dudas con respecto a nuestra garantía, por favor comuníquese con nosotros como indicado arriba o visite nuestro sitio web [www.brizo.com](http://www.brizo.com). © 2022 Masco Corporación de Indiana

## Garantie limitée des robinets Brizo®

**Pièces et finis.** Tous les pièces (autres que les composants électroniques, les modules d'alimentation d'interrupteur pneumatique, les piles et les pièces non fournies par Brizo Kitchen and Bath Company) et les finis des robinets Brizo® achetés auprès de vendeurs Brizo autorisés sont protégés contre les défauts du matériel et les vices de fabrication par une garantie qui est consentie au premier acheteur au détail et qui demeure valide tant que celui-ci demeure propriétaire de la maison dans laquelle le robinet a été installé. En ce qui concerne les acheteurs commerciaux, la période de garantie est a) de dix (10) ans pour les applications résidentielles multifamiliales et b) de cinq (5) ans pour toutes les autres applications commerciales, à compter de la date d'achat dans chaque cas. Dans le libellé de la présente garantie, on entend par « application résidentielle multifamiliale », un robinet acheté chez un vendeur Brizo autorisé par un acheteur qui est propriétaire d'un logement résidentiel sans l'habiter et installé la première fois dans cet immeuble. Il peut s'agir d'un immeuble individuel comportant un ou plus d'un logement loué (duplex ou groupe de maisons en rangée), d'un condominium, d'un immeuble d'habitation ou d'un centre d'intégration communautaire. Les applications décrites ci-après ne sont pas considérées comme étant des applications résidentielles multifamiliales et elles sont couvertes par la garantie de cinq (5) ans plutôt que par la garantie de dix (10) ans. Ce sont les suivantes : robinets installés dans un bâtiment industriel, un bâtiment institutionnel et un autre immeuble commercial, notamment une résidence d'étudiants, un lieu d'hébergement (hôtel, motel ou lieu de séjour prolongé), un aéroport, un établissement d'enseignement, un établissement de soins de santé de courte ou de longue durée (hôpital, centre de réadaptation, maison de soins infirmiers, résidence pour personnes âgées), un endroit public ou un lieu commun.

**Composants électroniques et piles (le cas échéant).** Les composants électroniques (autres que les modules d'alimentation d'interrupteur pneumatique et les piles) des robinets Brizo® achetés auprès de vendeurs Brizo autorisés sont protégés contre les défauts du matériel et les vices de fabrication par une garantie consentie au premier acheteur au détail qui est de cinq (5) ans à compter de la date d'achat. En ce qui concerne les acheteurs commerciaux, la période de garantie est d'un (1) an à compter de la date d'achat. Les piles ne sont pas couvertes par la garantie.

**Module d'alimentation d'interrupteur pneumatique.** Le module d'alimentation électronique des interrupteurs pneumatiques Brizo® acheté auprès de vendeurs Brizo autorisés est protégé contre les défauts du matériel et les vices de fabrication par une garantie consentie au premier acheteur au détail qui est d'une durée de deux (2) ans à compter de la date d'achat. En ce qui concerne les acheteurs commerciaux, la garantie est d'une durée d'un (1) an à compter de la date d'achat.

**Ce que nous ferons.** Brizo Kitchen and Bath Company réparera ou remplacera gratuitement, pendant la période de garantie applicable (décrite ci-dessus), toute pièce ou tout fini qui présentera une déféctuosité de matériau et/ou une vice de fabrication pour autant que le produit ait été installé, utilisé et entretenu normalement. Brizo Kitchen & Bath Company pourra, à son entière discrétion, utiliser des pièces ou des produits neufs, remis en état ou recertifiés pour effectuer la réparation ou le remplacement. S'il n'est pas utile de réparer ou de remplacer le produit, Brizo Kitchen & Bath Company pourra rembourser le prix d'achat en échange du produit retourné. **Il s'agit de vos seuls recours.**

**Ce qui n'est pas couvert.** Brizo Kitchen and Bath Company ne peut contrôler la qualité des produits Brizo vendus par des vendeurs non autorisés. Par conséquent, la présente garantie ne couvre pas les produits achetés auprès de vendeurs non autorisés, à moins que la loi n'intérise une telle limitation de la garantie (allez à Brizo.com pour obtenir la liste de nos revendeurs en ligne autorisés).

La présente garantie ne couvre pas les frais de main-d'œuvre encourus par l'acheteur pour la réparation, le remplacement, l'installation ou la dépose du produit. Brizo Kitchen & Bath Company se dégage de toute responsabilité à l'égard de toute détérioration du produit résultant d'une usage raisonnable et des dommages causés par une utilisation à l'extérieur, un mauvais usage (y compris l'utilisation du produit à des fins autres que celles auxquelles il est destiné), le gel de l'eau, un usage abusif, la négligence ou l'utilisation d'une méthode d'assemblage, d'installation, de maintenance ou de réparation incorrecte ou inadéquate, y compris les dommages résultant du non-respect des instructions de nettoyage et d'entretien applicables. La présente garantie ne couvre pas non plus les composants non authentiques achetés par le consommateur ou un utilisateur commercial et installés dans un produit Brizo ainsi que tous les dommages résultant de la dépose ou d'une mauvaise installation desdits composants.

Brizo Kitchen and Bath Company vous recommande de confier tous les travaux d'installation et de réparation à un plombier profes-

sionnel. Nous vous recommandons également d'utiliser uniquement des pièces de rechange Brizo® authentiques.

Ce que vous devez faire pour vous prévaloir de la garantie ou obtenir des pièces de rechange Vous pouvez présenter une réclamation en vertu de la garantie et obtenir des pièces de rechange en appelant au 1-877-345-BRIZO (2749) ou en communiquant avec nous à l'une des adresses postales ou des adresses de courriel indiquées ci-dessous (n'oubliez pas d'indiquer le numéro de modèle et la date d'achat).

**Aux États-Unis et au Mexique**  
Brizo Kitchen and Bath Company  
55 E. 111th Street  
Indianapolis, IN 46280  
Attention: Warranty Service  
<https://www.brizo.com/customer-support/contact-us>

**Au Canada:**  
Masco Canada Limited, Groupe plomberie  
Centre de services techniques  
350, chemin South Edgeware  
St. Thomas (Ontario) Canada N5P 4L1  
<https://www.brizo.com/customer-support/contact-us>

La preuve d'achat (original du reçu) du premier acheteur doit être présentée à Brizo Kitchen & Bath Company pour toutes les réclamations en vertu de la garantie, sauf si le produit a été enregistré auprès de Brizo Kitchen & Bath Company. La présente garantie s'applique uniquement aux robinets Brizo® installés aux États-Unis d'Amérique, au Canada et au Mexique.

**Limitation de la durée des garanties implícites.** Veuillez noter qu'il est interdit dans certains États et certaines provinces (y compris le Québec) de limiter la durée d'une garantie implicite. Par conséquent, les limites mentionnées ci-dessous peuvent ne pas s'appliquer à vous. DANS LA MESURE DE CE QUI EST PERMIS PAR LA LOI APPLICABLE, TOUTES LES GARANTIES IMPLICITES, Y COMPRIS LES GARANTIES IMPLICITES DE QUALITÉ MARCHANDE ET D'ADÉQUATION À UN USAGE PARTICULIER, SE LIMITENT À LA PÉRIODE FIXÉE PAR LA LOI OU À LA DURÉE DE LA PRÉSENTE GARANTIE, LA PLUS COURTE DES DEUX PÉRIODES S'APPLIQUANT.

**Limitation des dommages particuliers, consécutifs ou indirects.** Veuillez noter qu'il est interdit dans certains États et certaines provinces (y compris le Québec) d'exclure ou de limiter les dommages particuliers, consécutifs ou indirects. Par conséquent, les exclusions et les limites mentionnées ci-dessous peuvent ne pas s'appliquer à vous. DANS LA MESURE DE CE QUI EST PERMIS PAR LA LOI APPLICABLE, BRIZO KITCHEN & BATH COMPANY SE DÉGAGE DE TOUTE RESPONSABILITÉ À L'ÉGARD DES DOMMAGES PARTICULIERS, CONSÉCUTIFS OU INDIRECTS (Y COMPRIS LES FRAIS DE MAIN-D'ŒUVRE POUR LA RÉPARATION, LE REMPLACEMENT, L'INSTALLATION OU LA DÉPOSE DU PRODUIT), PEU IMPORT QUE ILS DÉCOULENT D'UNE RUPTURE D'UNE GARANTIE IMPLICITE OU EXPLICITE, D'UNE RUPTURE DE CONTRAT, D'UN DÉLIT CIVIL OU D'UNE AUTRE CAUSE. BRIZO KITCHEN & BATH COMPANY SE DÉGAGE DE TOUTE RESPONSABILITÉ À L'ÉGARD DE TOUTE DÉTÉRIORATION DU ROBINET RÉSULTANT D'UNE USURE RAISONNABLE ET DES DOMMAGES CAUSÉS PAR UNE UTILISATION À L'EXTÉRIEUR, UN MAUVAIS USAGE (Y COMPRIS L'UTILISATION DU PRODUIT À DES FINS AUTRES QUE CELLES AUXQUELLES IL EST DESTINÉ), LE GEL DE L'EAU, UN USAGE ABUSIF, LA NÉGLIGENCE OU L'UTILISATION D'UNE MÉTHODE D'ASSEMBLAGE, D'INSTALLATION, DE MAINTENANCE OU DE RÉPARATION INCORRECTE OU INADÉQUATE, Y COMPRIS LES DOMMAGES RÉSULTANT DU NON-RESPECT DES INSTRUCTIONS D'INSTALLATION, DE NETTOYAGE ET D'ENTRETIEN APPLICABLES, ET CES DOMMAGES NE SONT PAS COUVERTS PAR LA GARANTIE. Avis à l'intention des résidents de l'État du New Jersey : Les dispositions de la présente garantie, y compris ses limites, s'appliquent dans toute la mesure permise par les lois de l'État du New Jersey.

**Droits supplémentaires.** La présente garantie vous procure des droits particuliers reconnus par la loi. Vous pouvez aussi avoir d'autres droits qui varient selon l'État ou la province.

La présente garantie écrite est la seule garantie offerte par Brizo Kitchen & Bath Company et elle n'est pas transférabile.

Si vous avez des questions ou des préoccupations concernant notre garantie, veuillez communiquer avec nous de la manière indiquée ci-dessus ou visiter notre site Web à l'adresse [www.brizo.com](http://www.brizo.com).

© 2022 Division de Masco Indiana