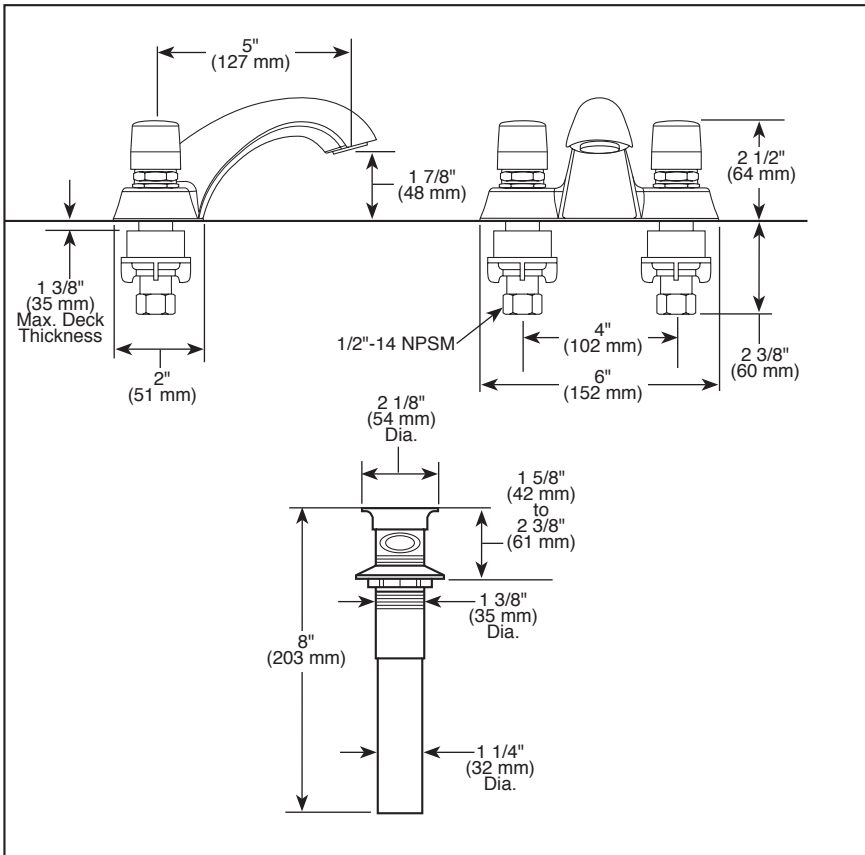


Submitted Model No.: _____

Specific Features: _____



LAVATORY FAUCETS

- Two Handle
- Slow Self-Closing
- Deck Mount
- 2 and 3 Hole Sink Applications
- 4" (102 mm) Centerset

STANDARD SPECIFICATIONS:

- Two handle, slow self-closing faucet. For two and three hole deck mount applications.
- 4" (102 mm) centerset.
- 3 7/16" (87 mm) long spout.
- Vandal resistant, slow self-close push handle.
- No lift rod hole.
- .5 gpm (1.9 L/min) vandal resistant spray outlet.
- All operating parts must be replaceable from above the deck.
- 1/2"-14 NPSM threaded male inlet shanks.

WARRANTY

- Lifetime limited warranty on parts (other than electronic parts and batteries) and finishes: or, for commercial users, for 5 years from date of purchase.
- 5 year limited warranty on electronic parts (other than batteries); or, for commercial users, for 1 year from the date of purchase. No warranty is provided on batteries.

COMPLIES WITH:

- ASME A112.18.1 / CSA B125.1
- Verified compliant with .25% weighted average Pb content regulations.

Delta reserves the right (1) to make changes in specifications and materials, and (2) to change or discontinue models, both without notice or obligation. Dimensions are for reference only. See current full-line price book or www.specselect.com for finish options and product availability.

DSP-L-2507LF-HDF Rev. D



55 E. 111th Street, Indianapolis, Indiana 46280
 350 South Edgeware Road, St. Thomas, ON N5P 4L1
 © 2015 Masco Corporation of Indiana