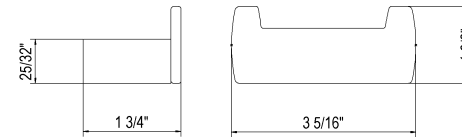


Care and Maintenance: After use, wipe down with a soft, dry cloth. For all chrome plated surfaces clean this product with warm soapy water and then dry with a dry soft cloth. Nickel plated, satin and Inca brass finishes should be cleaned with a soft cloth and warm water. Then dry with a dry soft cloth. Do not use cream cleaners or cleaning agents containing a corrosive acid or scouring agent including: Softscrub, Comet, Ajax and Bonami, as these may damage the surface of the faucet. Do not use any spray cleaners with ammonia or alcohol like Windex, 409 or Fantastik. Any use of unsuitable cleaning agents causing damage to the surface will not be covered by the warranty.

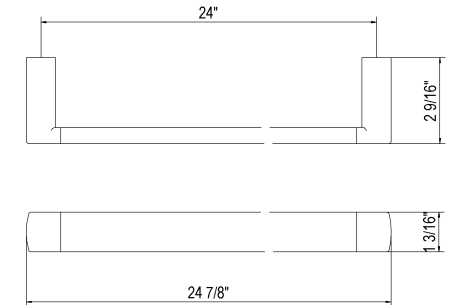
WARRANTY: Warranty is limited lifetime. See ROHL website for details. (www.rohlhome.com). A basic in-line filter system is required for the house to protect any debris from entering the water supply line to the house (i.e. due to construction or service work on the street).

ROHL CASWELL ACCESSORIES INSTALLATION INSTRUCTIONS

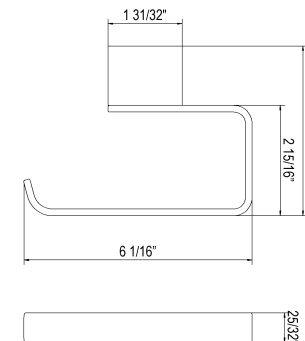
DOUBLE ROBE HOOK CA7DAPC, CA7DPN, CA7DSTN



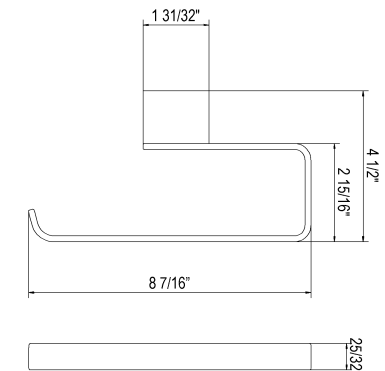
24 INCH TOWEL BAR CA8APC, CA8PN, CA8STN



TOILET PAPER HOLDER CA8APC, CA8PN, CA8STN



HAND TOWEL HOLDER CA4APC, CA4PN, CA4STN

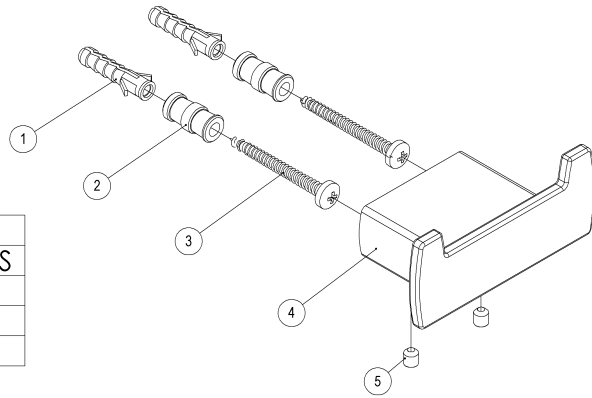


ROHL LLC 3 Parker, Irvine, CA 92618
714-557-1933 www.rohlhome.com

Please leave instructions with the home owner once installed.

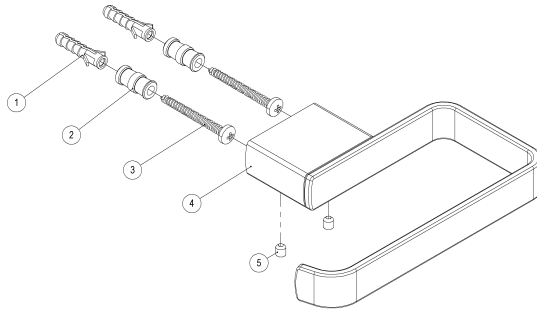
#41926 01/14

DOUBLE ROBE HOOK

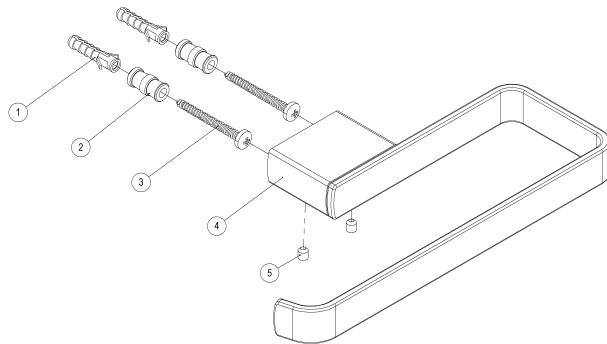


1	ANCHORS SLEEVES
2	STEEL MOUNTING PILLARS
3	SELF-TAPPING SCREWS
4	ACCESSORY
5	GRUB SCREWS - M5

TOILET PAPER HOLDER



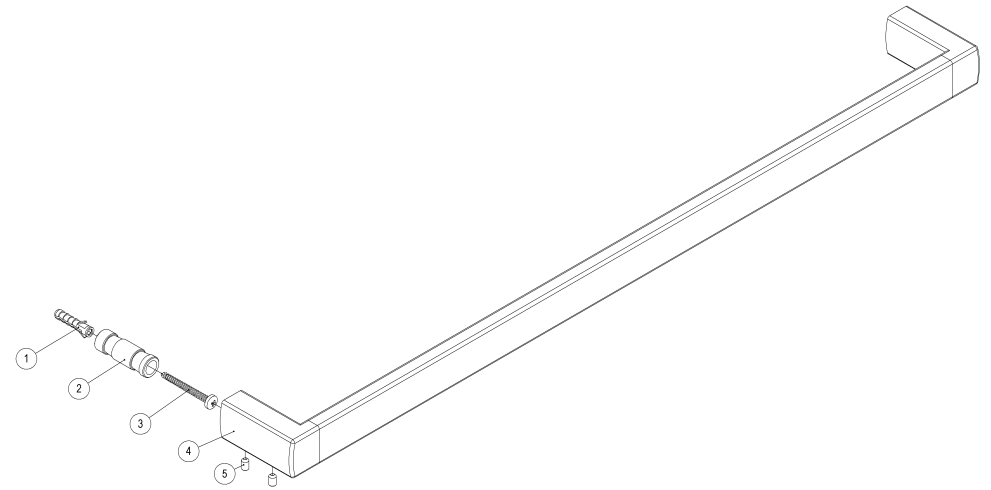
HAND TOWEL HOLDER



Robe Hook, Toilet Paper Holder and Hand Towel Holder Installation Instructions

1. Mark out required positions for the 2 steel mounting pillars #2.
 - a. Note: **The steel mounting pillars must be level.**
2. Install the steel mounting pillars #2 to wall using the self tapping screws #3.
 - a. Anchor sleeves #1 are provided for masonry walls.
 - b. Drill pilot holes, if required.
3. Install the accessory and tighten the grub screws #6, as shown.

24 INCH TOWEL BAR



24 Inch Towel Bar Installation Instructions

1. Mark out required positions for the 2 steel mounting pillars #2 at **24 inch centres.**
 - a. Note: **The steel mounting pillars must be level.**
2. Install the 2 steel mounting plates #2 to wall using the self tapping screws #3.
 - a. Anchor sleeves #1 are provided for masonry walls.
 - b. Drill pilot holes if required.
3. Install the towel bar and tighten the grub screws #5 as shown.