



CASWELL™ 3-HOLE WIDESPREAD LAVATORY FAUCET WITH LEVER HANDLES

Modern Caswell™

**CA2202LM-2**

**FEATURES**

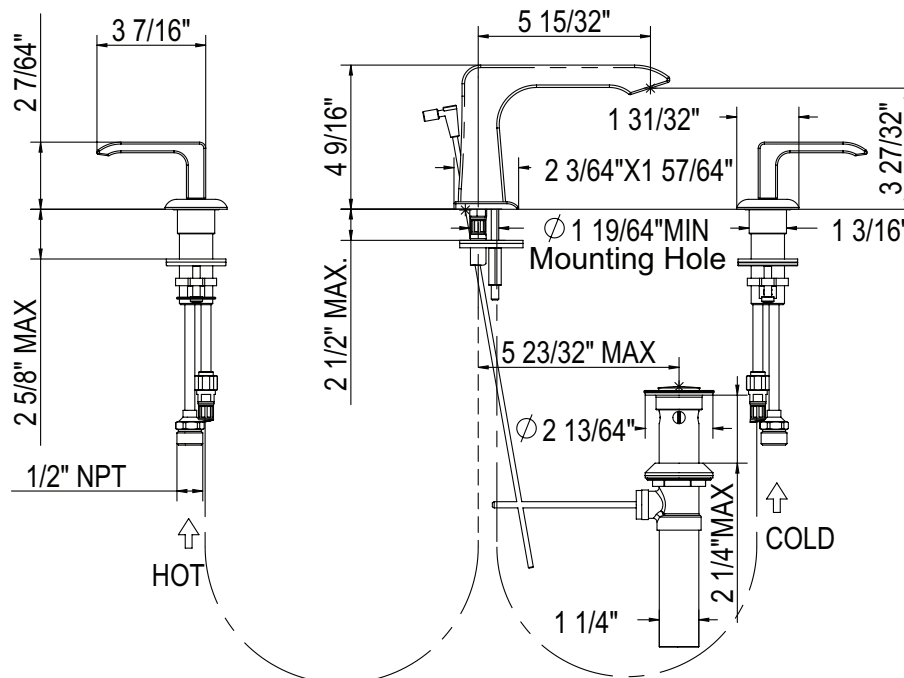
- Solid brass construction
- Metal lever handles
- 5 15/32" spout reach
- 1/4-turn ceramic valves; self-cleaning, self-lubricating, quiet operation
- Self leveling mounting hardware
- 1.5 GPM
- 3 x 1 3/8" cutouts
- Pop-up drain, 1 1/4" pipe
- 1/2" NPT connectors

**COLORS/FINISHES**

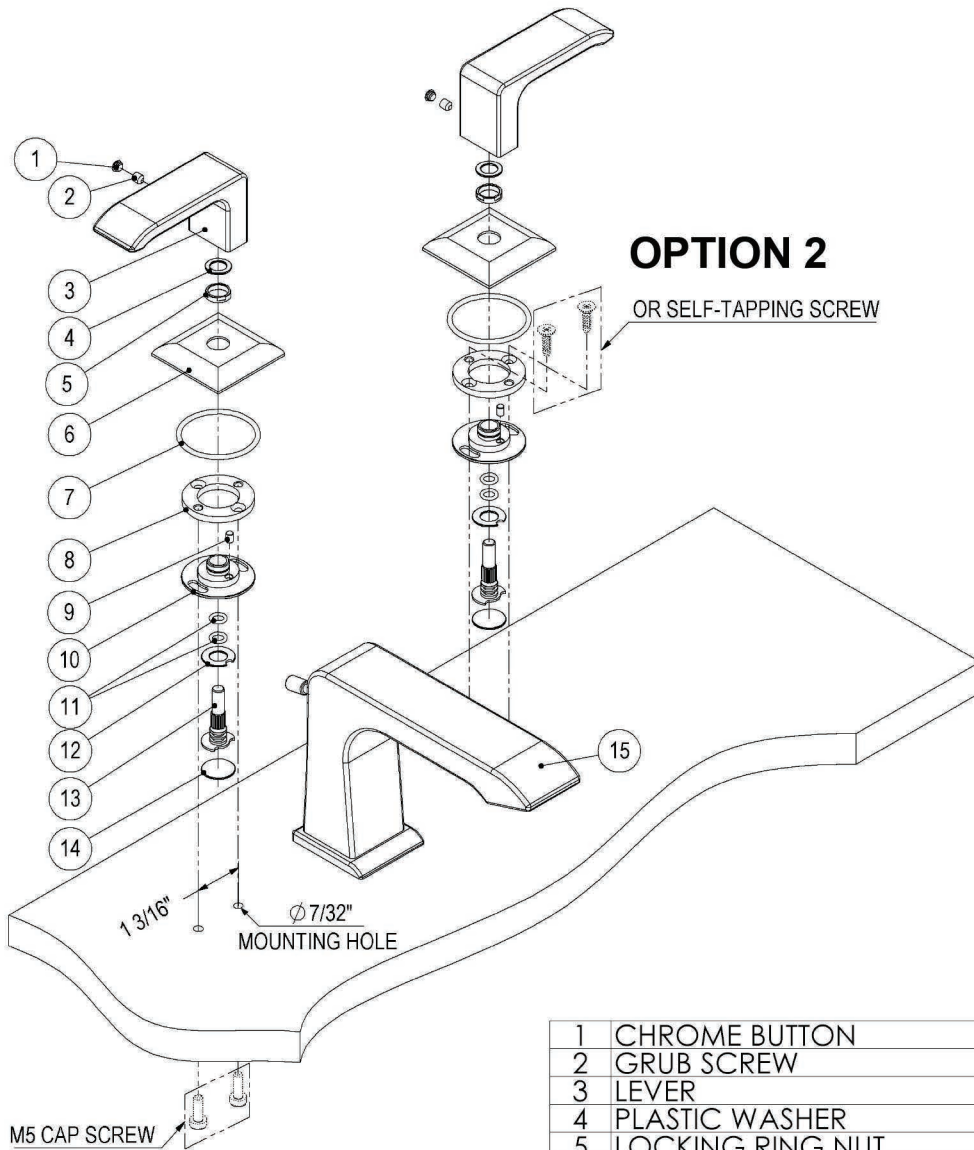
- Polished Chrome
- Polished Nickel
- Satin Nickel

**WARRANTY**

- Limited Lifetime



## Installation Instructions



### OPTION 1

**Note: Screws not supplied**

1	CHROME BUTTON
2	GRUB SCREW
3	LEVER
4	PLASTIC WASHER
5	LOCKING RING NUT
6	ESCUTCHEON
7	'O' RING
8	BRASS INSTALL RING
9	ANGLE STOP PIN
10	SPINDLE SLEEVE
11	'O' RING
12	UPPER PLASTIC WASHER
13	SPINDLE
14	BOTTOM PLASTIC WASHER
15	SPOUT ASSEMBLY

## Installation Instructions

### Installation Instructions

#### 2 options for installation of the lever assemblies as per drawing opposite page:

Option 1: Drill 2 mounting holes 7/32" into the deck top and from below the deck install 2 x M5 cap screws into the brass install ring #8. (Screws not supplied.)

Option 2: Screw 2 self-tapping screws into the brass install ring #8 from top of the deck. (Screws not supplied.)

#### Install the Spout: (1 5/16" cutout).

1. Remove spout mounting parts.
2. Install the two mounting studs securely.
3. Install the crescent steel washer and crescent rubber washer.
4. Position the spout, and tighten the two threaded nuts.

#### Installing Hot & Cold Lever Assembly:

1. Remove trim parts #1 through #6.

#### Option 1:

- a. Mark out for drill holes 1 3/16" apart using the brass install ring #8 as a template.
- b. Drill the 2 mounting holes.
- c. Position spindle parts #14 through #8 over the mounting holes.  
Note: The angle stop pin #9 faces forward.  
The spindle sleeve #10 has **adjustment** for lever position.  
The threaded screw holes in the brass install ring #8 line up with the mounting holes.
- d. From below the deck install 2 x M5 cap screws into the brass install ring #8 and tighten. (Screws not supplied.)
- e. Install the escutcheon #6 and set square before installing the lever assembly.
- f. Install the locking ring nut #5, then the plastic washer #4 and the lever #3, as shown.

#### Option 2:

- a. Mark out for screw holes 1 3/16" apart using the brass install ring #8 as a template.
- b. Position spindle parts #14 through #8 over the mounting position.  
Note: The Angle stop pin #9 faces forward.  
The spindle sleeve #10 has **adjustment** for lever position.  
The beveled holes face upwards in the brass install ring #8 and line up with the markings for the 2 screws.
- c. Install using 2 self-tapping screws. (Screws not supplied.)  
Drill pilot holes, if required.
- d. Install the escutcheon #6 and set square before installing the lever assembly.
- e. Install the locking ring nut #5, then the plastic washer #4 and the lever #3, as shown.