

PFX314L

Single Handle Commercial Lavatory Faucet



Product Features

- One piece cast brass body
- Ceramic cartridge with temperature limiting device
- Polished chrome
- Flow rate: 1.5 GPM aerator
- Complies with ASME:A112.18.1-2011/CSA:B125.1-11
- NSF61 compliant
- Complies with Lead Plumbing Law
- cUPC/IAPMO Listed
- ADA Compliant



PFX314L

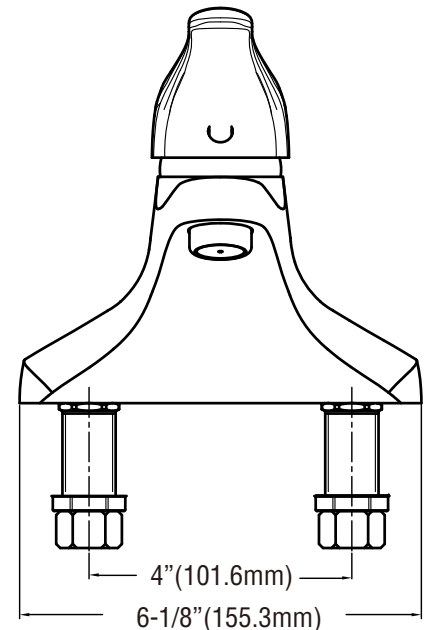
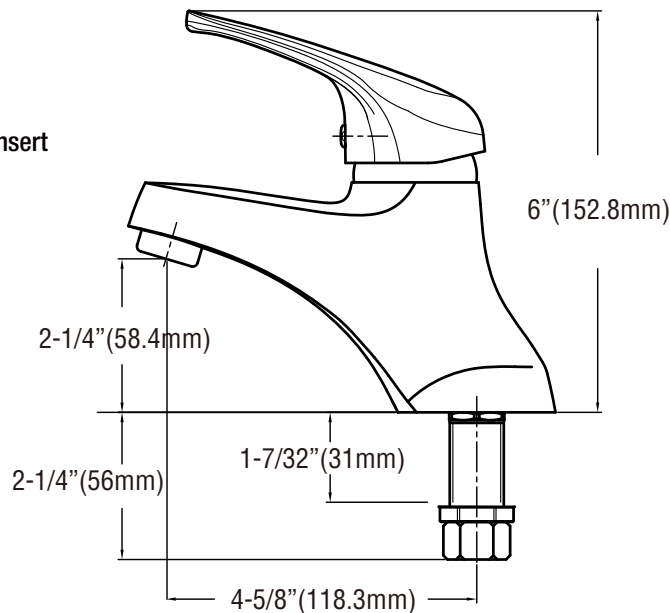
Available Parts

- | | |
|------------|---------------|
| PF654508 | Aerator kit |
| PF654511 | Mounting nut |
| PF654749 | Cartridge |
| PF654750 | Handle |
| PFX4LAVEXT | Extension kit |

Product Specifications

Optional Accessories

- | | |
|----------|------------------------|
| PFXAER05 | 0.5 GPM Aerator insert |
|----------|------------------------|



Warranty and Codes

This product comes complete with installation, operating, care and maintenance instructions. This PROFLO faucet carries a limited lifetime warranty when installed in residential applications. The warranty is five years in commercial applications. This product meets ASME: A112.18.1-2011 *Compliant with lead content requirements of US Senate Bill S.3874



Distributed Exclusively by Ferguson and Wolseley Canada