



## Ensemble™

30" Bath  
71171120

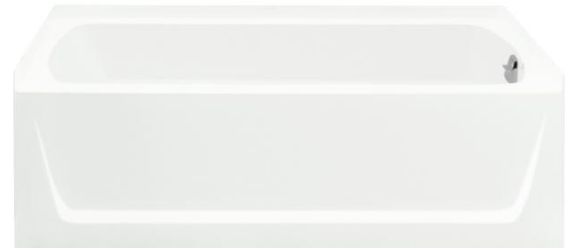


### Features

- Bath and integral apron eliminates installation step.
- Durable high-gloss finish.
- 2" (51 mm) wainscot/tile ledge.
- 16" (406 mm) bath depth (floor to top of threshold).
- 60" (1524 mm) x 30" (762 mm) x 18" (457 mm) complete unit finished dimensions.

### Material

- Compression molded from our exclusive solid Vikrell® material.



For complete listing of available colors, go to [sterlingplumbing.com](http://sterlingplumbing.com).

### Codes/Standards

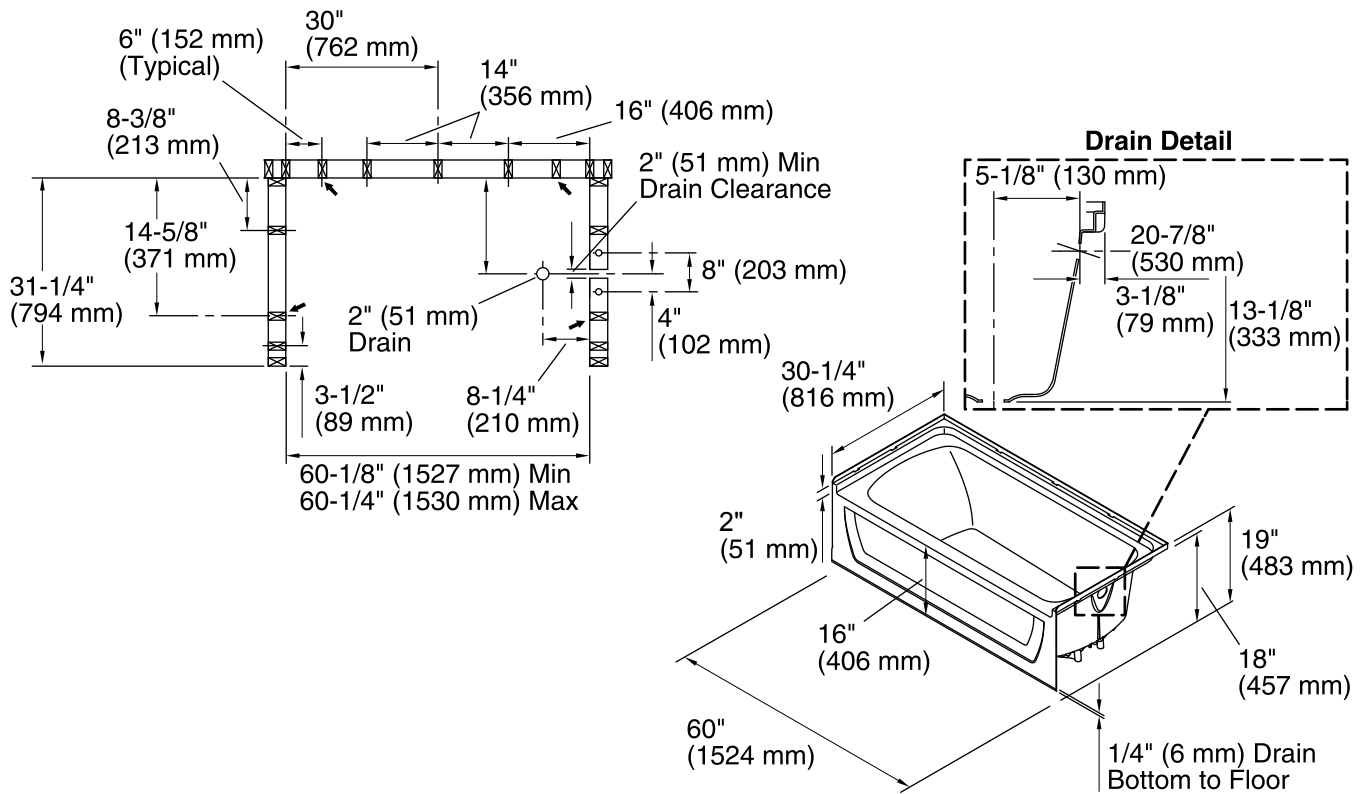
ASTM E162  
ASTM E662  
Greenguard UL 2818 - Gold  
CSA B45.5/IAPMO Z124

### Sterling Warranty - Fixtures Made of Solid Vikrell Material

See website for detailed warranty information.

### Product Specification

The bath shall be 60" (1524 mm) in length, 30-1/4" (816 mm) in width, and 19" (483 mm) in height. Bath shall be made of Vikrell® material with durable high-gloss finish. Bath shall have integral apron and right drain. Bath shall be Sterling Model 71171120.



**Technical Information**

All measurements are nominal.

- Installation: 3-Wall Alcove
- Drain location: Right
- Basin area, bottom: 45" x 20" (1143 mm x 508 mm)
- Basin area, top: 53" x 23" (1346 mm x 584 mm)
- Water depth: 11-1/4" (286 mm)
- Water capacity: 44 gal (166.6 L)

Door width required: 57-11/16" (1465 mm)

**Installation Notes**

- Measure your actual product for roughing-in details.
- Install this product according to the installation guide.
- Studs should be positioned roughly as shown.
- Double studding is recommended for pivot shower door installations.