



Ensemble™

30" AFD Bath
71171112

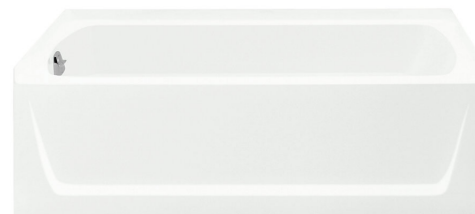


Features

- Bath and integral apron eliminates installation step.
- Above-floor-drain (AFD) rough-in.
- Durable high-gloss finish.
- 2" (51 mm) wainscot/tile ledge.
- 18-3/4" (476 mm) bath depth (floor to top of threshold).
- 60" (1524 mm) x 30" (762 mm) x 20-3/4" (527 mm) finished dimensions.

Material

- Compression molded from our exclusive solid Vikrell® material.



Codes/Standards

CSA B45.5/IAPMO Z124
ASTM E162
ASTM E662
Greenguard UL 2818 - Gold
HUD, UM Bulletin 73



Sterling Warranty - Fixtures Made of Solid Vikrell Material

See website for detailed warranty information.

Available Color/Finishes

Color tiles intended for reference only.

Color	Code	Description
-------	------	-------------

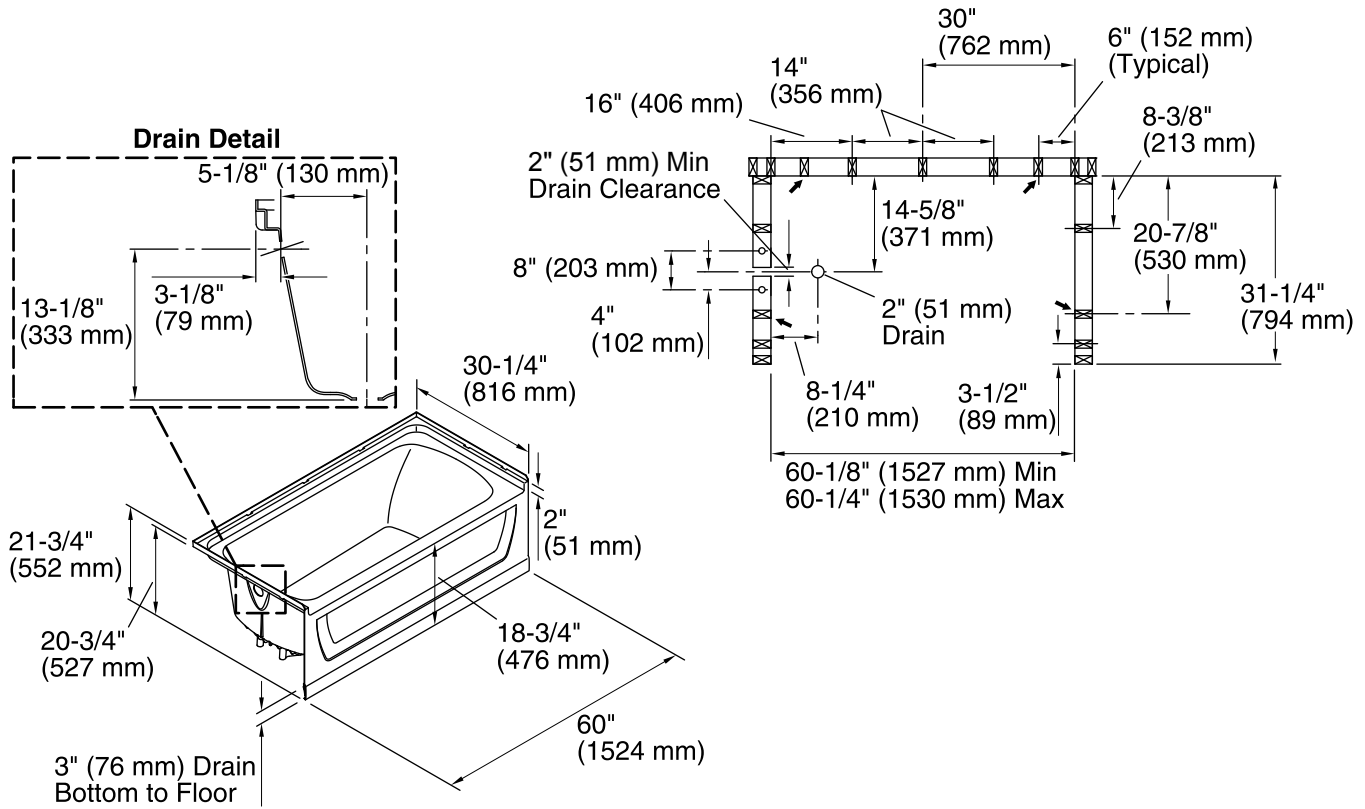
- | | | |
|--|----|---------|
|  | 0 | White |
|  | 96 | Biscuit |

USA/Canada: 1-800-STERLING (1-800-783-7546)

Kohler Co. reserves the right to make revisions without notice to product specifications.

For the most current Specification Sheet, go to www.sterlingplumbing.com.

11-4-2015 02:44



Technical Information

All product dimensions are nominal.

- Installation: Alcove with Flange
- Drain location: Left
- Basin area, bottom: 45" x 20" (1143 mm x 508 mm)
- Basin area, top: 53" x 23" (1346 mm x 584 mm)
- Water depth: 11-1/4" (286 mm)
- Water capacity: 44 gal (166.6 L)
- Door width required: 57-11/16" (1465 mm)

Notes

- Measure your actual product for roughing-in details.
- Install this product according to the installation guide.
- Studs should be positioned roughly as shown.
- Double studding is recommended for pivot shower door installations.