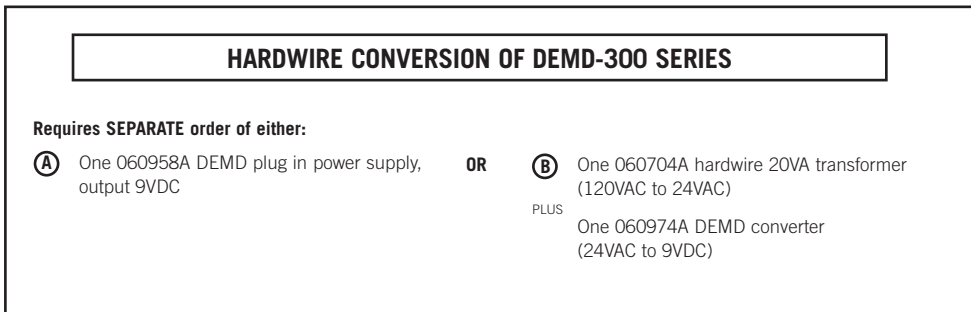
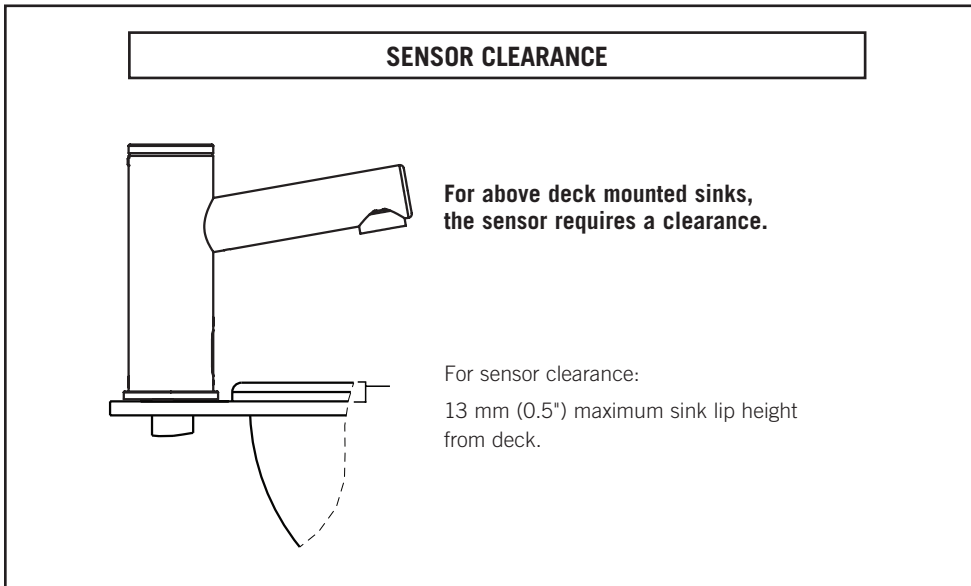
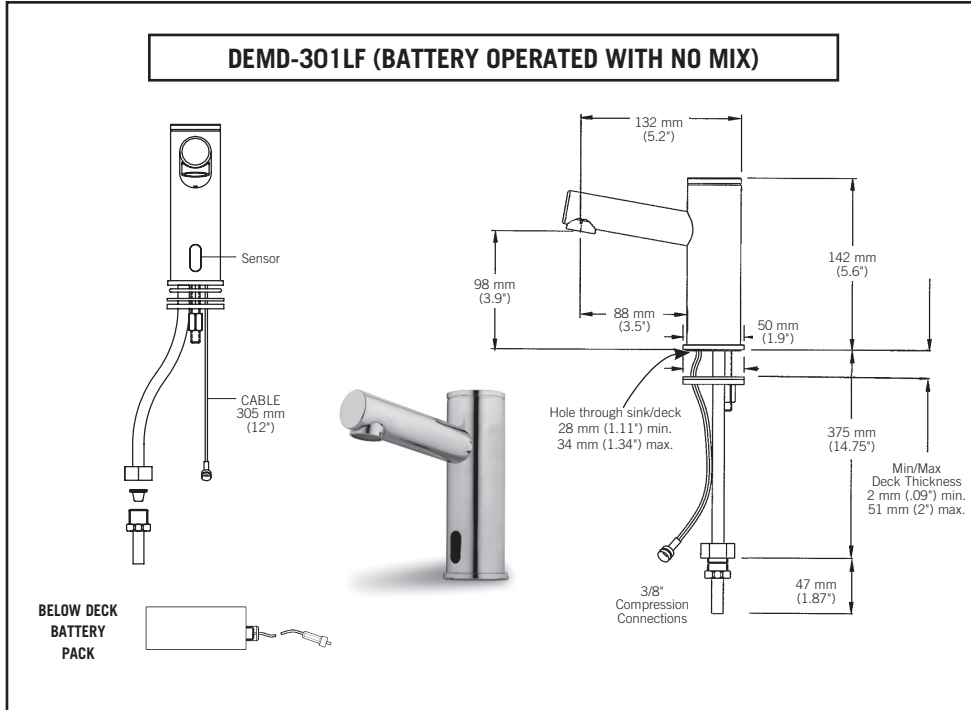


DEMD Series Electronic Lavatory Faucets (Infrared)

HDF[®]
COMMERCIAL



SPECIFICATION: (EXAMPLE)

- Deck mount electronic lavatory faucet with above deck electronics
- Sensor detects user's hand to activate water flow
- 6 1.5V "AA" Batteries (included)
- Red light indicator blinks when battery is low
- Vandal resistant (wrench flat)
- 0.5 gpm (1.9 L/min) spray outlet

DEMD-301 SERIES

- Electronic faucet for cold or pre-mixed water

DEMD-301LF (Chrome)

DEMD-301LF-NS (Nickel Stainless)

OPERATION

Sensing Range:

- Factory set to 8.0" ± 1.5" (200 mm ± 40 mm)
- Adjustable from 3.15" to 11.8" (80 mm to 300 mm) with optional remote control

Maximum Run Time:

- 90 seconds, adjustable with remote control

OPTIONAL ACCESSORIES

(Order Separately)

060967A

- Remote Control (Optional) – allows adjustment of sensor range, maximum run time, delayed close time, temporary shutoff for cleaning and factory settings reset

060585A

- Optional 4" coverplate (for Chrome finish models only)

063256A (Chrome Only)

- 0.35 gpm (1.32 L/min) spray outlet

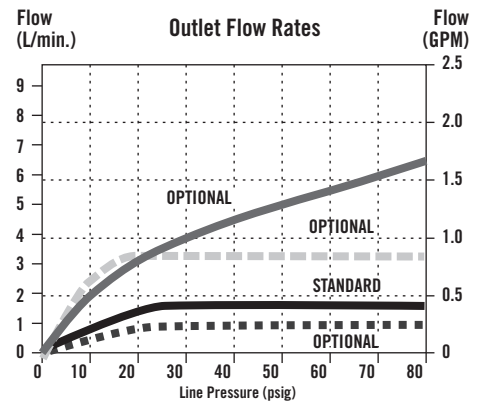
060961A (Chrome)

- 1.0 gpm (3.8 L/min) aerator

061118A (Chrome)

- 1.5 gpm (5.7 L/min) Careguard® laminar outlet

FLOW RATE vs PRESSURE



APPROVALS:



- IAPMO certified
- Complies to ASME A112.18.1/CSA B125.1
- Indicates compliance to ICC/ANSI A117.1
- Verified compliant with 0.25% weighted average Pb content regulations

(Contact Delta Representative for State and/or Local Approvals.)

Note: Measurements may vary ± 6mm (0.25")

Refer to www.specselect.com for individual models.

Note: Use this page front and back as a product submittal sheet.

DEMD Series Electronic Lavatory Faucets (Infrared)

HDF
COMMERCIAL

DELTA

SPECIFICATION: (example)

- Deck mount electronic lavatory faucet with above deck electronics
- Sensor detects user's hand to activate water flow
- 6 1.5V "AA" Batteries (included)
- Red light indicator blinks when battery is low
- Vandal resistant (wrench flat)
- 0.5 gpm (1.9 L/min) spray outlet

DEMD-311 SERIES

- Electronic faucet with mixer to adjust temperature

DEMD-311LF (Chrome)

DEMD-311LF-NS (Nickel Stainless)

OPERATION

Sensing Range:

- Factory set to 8.0" ± 1.5" (200 mm ± 40 mm)
- Adjustable from 3.15" to 11.8" (80 mm to 300 mm) with optional remote control

Maximum Run Time:

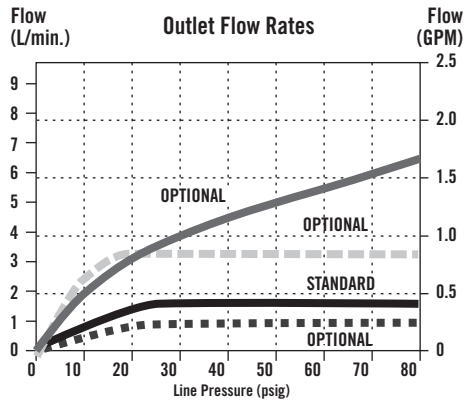
- 90 seconds, adjustable with remote control

OPTIONAL ACCESSORIES

(Order Separately)

- 060967A**
 - Remote Control (Optional) – allows adjustment of sensor range, maximum run time, delayed close time, temporary shutoff for cleaning and factory settings reset
- 060585A**
 - Optional 4" coverplate (for Chrome finish models only)
- 063256A (Chrome Only)**
 - 0.35 gpm (1.32 L/min) spray outlet
- 060961A (Chrome)**
 - 1.0 gpm (3.8 L/min) aerator
- 061118A (Chrome)**
 - 1.5 gpm (5.7 L/min) Careguard® laminar outlet

FLOW RATE vs PRESSURE



APPROVALS:

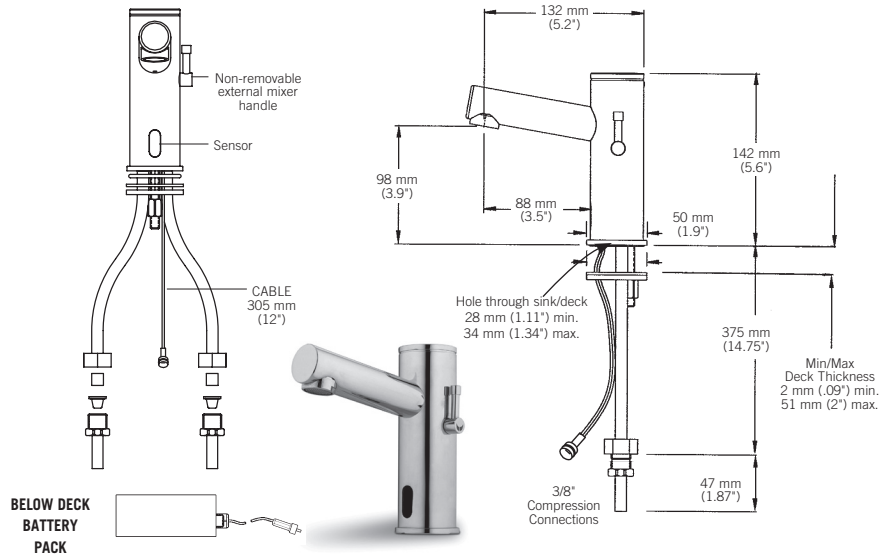


- IAPMO certified
- Complies to ASME A112.18.1/CSA B125.1
- Indicates compliance to ICC/ANSI A117.1
- Verified compliant with 0.25% weighted average Pb content regulations

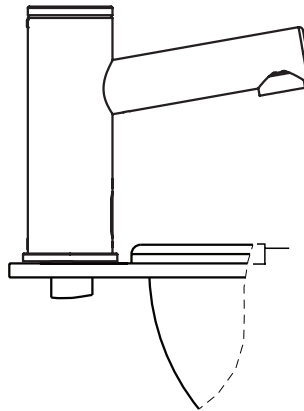
(Contact Delta Representative for State and/or Local Approvals.)

Note: Measurements may vary ± 6mm (0.25")

DEMD-311LF (BATTERY OPERATED WITH USER MIX)



SENSOR CLEARANCE



For above deck mounted sinks, the sensor requires a clearance.

For sensor clearance:
13 mm (0.5") maximum sink lip height from deck.

HARDWIRE CONVERSION OF DEMD-300 SERIES

Requires SEPARATE order of either:

- (A)** One 060958A DEMD plug in power supply, output 9VDC **OR** **(B)** One 060704A hardwire 20VA transformer (120VAC to 24VAC)
- PLUS** One 060974A DEMD converter (24VAC to 9VDC)