

## Studio 5959

All Hydro Systems Studio Collection bathtubs and whirlpools are backed by our exclusive 5 year limited warranty and include the standard features.

### Available Sizes:

59"L x 59"W x 20¾"D  
65 Gallon



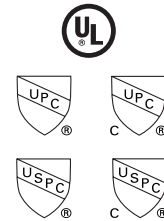
### Studio Model Feature:

White/Biscuit  
Acrylic/Fiberglass Bathtub  
Integral Wood Base  
6 Jets Adjustable/Directional Air Switch  
Silent Air Induction  
Anti-Vortex Safety Suction  
1¼ hp UL Listed Pump, mounted

**Available** as Tub only, Thermal Air, Whirlpool

### Approvals & Listings

Commonwealth of Massachusetts  
UPC & USPC - US & Canada



### Electrical Component

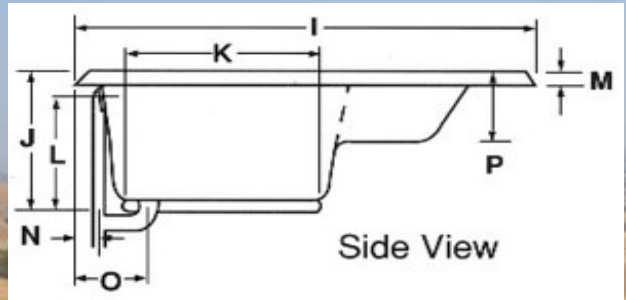
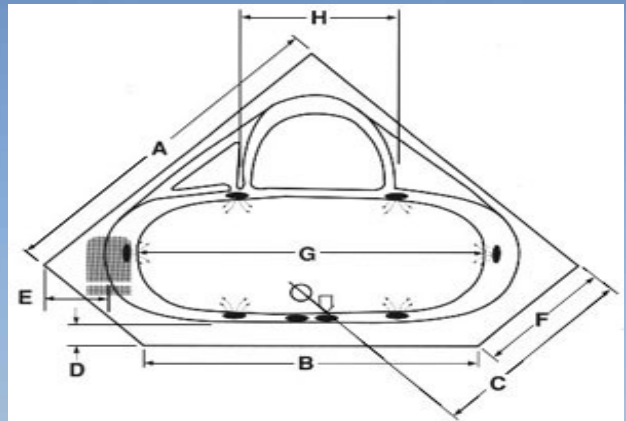
### Electrical Requirements

Whirlpool (1.25 HP Single Speed Pump, 120V)	1 Dedicated 20 Amp GFCI Circuit
Thermal Air (1 HP Blower with 600 Watt Heater)	1 Dedicated 20 Amp GFCI Circuit
Inline Heater	
600 W	Shares Pump Circuit
1500 W	1 Dedicated 20 Amp GFCI Circuit

# Studio 5959



Must be set in Mortar Base

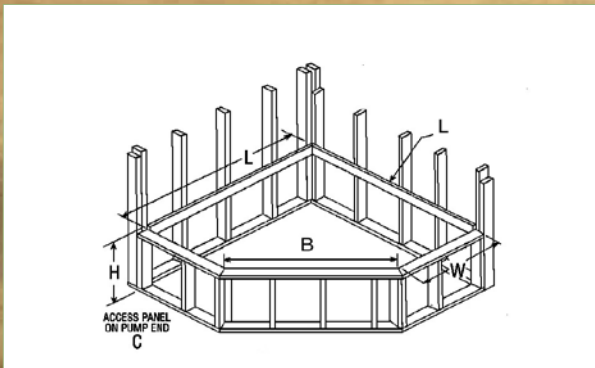


- Pump motor
- Jets
- Anti-vortex suction
- Overflow location

**AS SHOWN:**  
Whirlpool option w/ standard jets

**ALSO AVAILABLE:**  
Soaking Tub Only, Thermal Air,

Model	GC	AC	A	B	C	D	E	F	G	H	I	J	K	L	M	N	O	P
5959	N/A	√	59"	52½"	34½"	4"	9½"	21¼"	51"	24"	56"	20¾"	24"	18¼"	1¼"	2¾"	9"	10½"
<b>Framing Dimensions below</b>															Jet	Pump	Wat.Cap.	
															6	1.25	65 gal.	



Island Drop-In				
Model	(L)ength	(W)idth	B	(H)eight Finish
5959	57"	20"	51"	21½"

*Disclaimer: Certain options or altering the pump/blower location may cause the pump/blower to extend beyond the tub decking. For cutout dimensions wait for unit to arrive. All specifications subject to change without notice.*