

ADJUSTABLE CLEANOUT

» 834 SERIES

FinishLine™

SPECIFICATION

Sioux Chief 834 series FinishLine adjustable cleanout shall be used where necessary in drainage systems. Cleanout shall allow adjustment before and AFTER the concrete pour. Scoriated cleanout cover shall meet applicable load requirements for intended use. Cleanout shall include a removable sealing plug, situated in base adapter. Designed in accordance with ASME A112.36.2M

MATERIALS

Ring/cover: Nickel-bronze, 304 stainless steel, ductile iron

Coring plug: High-impact polymer

Head adapter/Coring sleeve/Base adapter: Ductile iron

Cleanout plug: Polypropylene, brass

COVER LOAD RATING

Nickel-bronze: 2,700 lbs. (Medium duty)

Stainless steel: 3,500 lbs. (Medium duty)

Ductile iron: 10,000 lbs. (Extra-heavy duty)

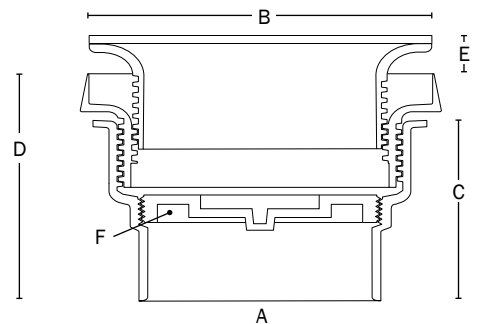
DIMENSIONS

A: Connection	4" No-Hub	6" No-Hub
B: Top diameter	9"	
C: Base adapter height	4-1/2"	5-3/8"
D: Pre-pour height	5-3/8" – 6-7/8"	6-1/4" – 7-3/4"
E: After-pour adjustment	0" – 1-1/2"	
E: Cleanout plug	4" Plug	6" Plug

ITEM # SUBMITTED	_____
JOB NAME	_____
LOCATION	_____
ENGINEER	_____
CONTRACTOR	_____
PO#	_____ TAG _____



834-6DiR



Create Item Number

834-ABC

e.g. **834-6DIRVB:** FinishLine cleanout with 6" No-Hub connection, vandal-resistant ductile iron ring/cover, and brass cleanout plug

CONNECTION SIZE **A**

49D = 4" No-Hub

6D = 6" No-Hub

RING/COVER **B**

NR = Nickel-bronze

SR = Stainless steel

IR = Ductile iron

OPTIONS **C**

V = Vandal-resistant cover screws

S = Stamping (specify letters)¹

C = Carpet marker

B = Brass cleanout plug²

F = Cast iron clamping collar

Accessories - Available Separately:

832-WCQ: Flexible locating bristles kit

832-PCQ: Coring plug / cleanout plug wrench

¹ Not available for ductile iron covers | ² Brass plug in place of polypro (standard)