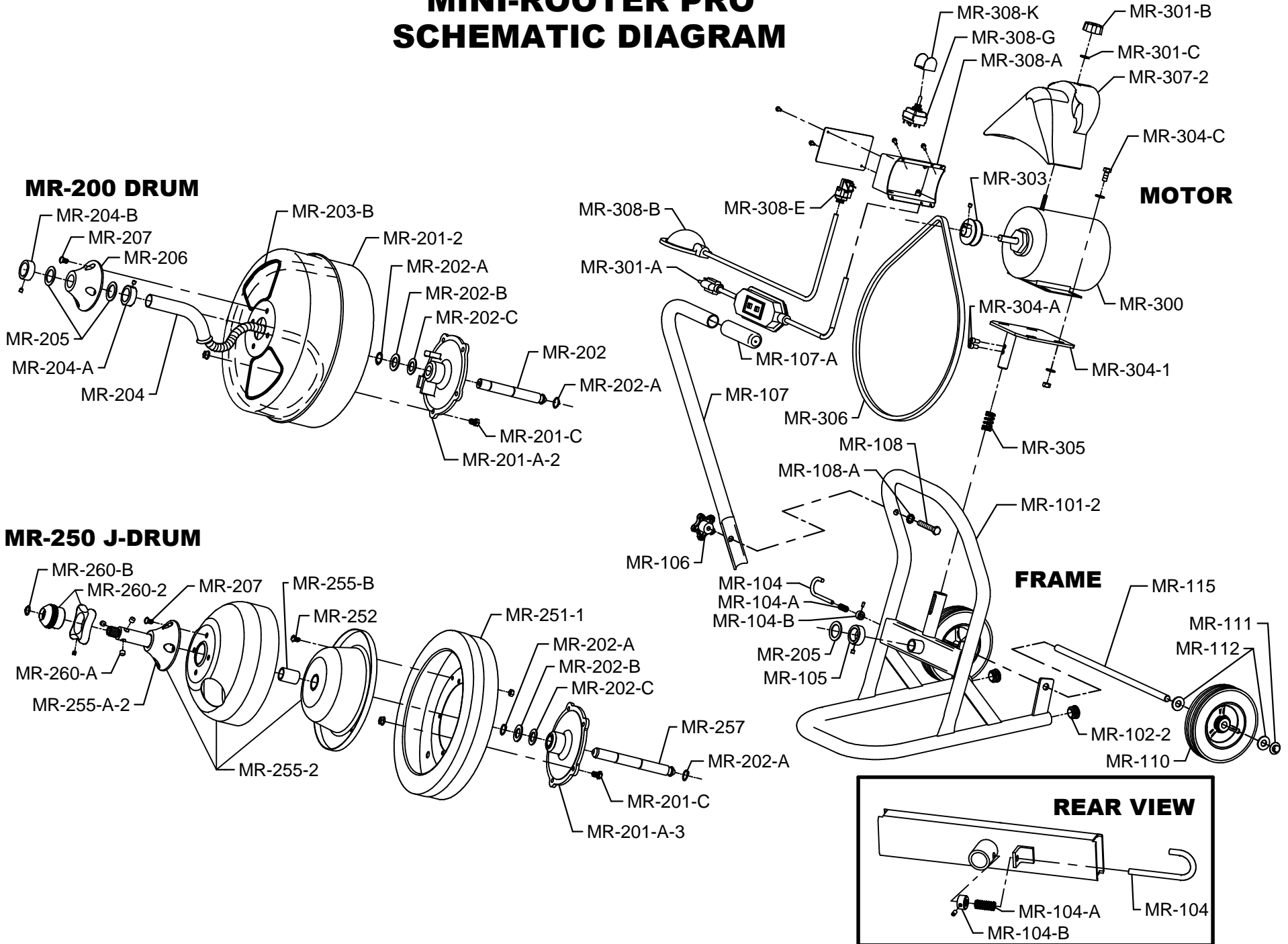


## MINI-ROOTER PRO PARTS LIST

ITEM NO.	CATALOG NO.	DESCRIPTION	ITEM NO.	CATALOG NO.	DESCRIPTION
167180	MR-100-2	Complete Frame Assembly	167910	MR-257	Shaft for J-Drum
167170	MR-101-2	Frame Only	167930	MR-260-1	Collet Chuck Assembly
167160	MR-102-2	Rubber Leg Tip (2)	167920	MR-260-2	Quick Grip Chuck Knob and Tightening Handle
167240	MR-104	Shaft Retaining Pin	167903	MR-260-A	Quick Grip Chuck Grippers (3)
167250	MR-104-A	Retaining Pin Spring	167904	MR-260-B	Retaining Ring
167260	MR-104-B	Retaining Pin Collar	167970	MR-300	Motor 1/3 hp w/GFCI, Foot Switch & Motor Switch
167280	MR-105	Shaft Spacer	136010	MR-301-A	10' Cord w/GFCI
167150	MR-106	Knob for Handle	168005	MR-301-B	Belt Guard Knob
167140	MR-107	Handle w/Grip	167060	MR-301-C	Washer
167160	MR-107-A	Rubber Grip	168015	MR-301-D	Stud Replacement
167120	MR-108	Bolt w/Lock Washer	168270	MR-303	V-Belt Pulley
167110	MR-108-A	Lock Washer	168281	MR-304-1	Motor Support w/Bolts, Nuts, & Washers
167100	MR-110	6" Wheel (2)	168285	MR-304-A	Guide Screws (2)
167090	MR-111	Retaining Cap (2)	167050	MR-304-C	Nuts, Bolts, & Washers (4)
167080	MR-112	Washers (4)	168290	MR-305	Motor Support Spring
167070	MR-115	Axle	136200	MR-306	V-Belt (45")
167300	MR-200	Complete Drum Assembly (Enclosed)	168328	MR-307-2	Belt Guard w/Slot for Mounting Stud
167445	MR-201-2	Drum Shell	168330	MR-308	Foot Switch & Motor Switch Assembly
167652	MR-203-B	Edging (2)	168333	MR-308-1	Foot Switch & Motor Switch Assembly for Motor # S48AC63A40P
167365	MR-201-A-2	Rear Hub Assembly w/Bushing	168340	MR-308-A	Box Only w/Cover & Screws
167410	MR-201-C	Screws & Nuts (5)	136170	MR-308-B	Foot Pedal & Hose
167444	MR-201/202-2	Complete Shaft & Hub Assembly	168360	MR-308-C	Cable Tie (2)
167500	MR-202	Shaft	136060	MR-308-D	Foot Pedal Only
167510	MR-202-A	Retaining Ring (2)	136080	MR-308-E	Power Switch Diaphragm
167520	MR-202-B	Steel Washer	136050	MR-308-F	Air Hose
167530	MR-202-C	Felt Washer	136130	MR-308-G	Motor Switch (Yellow)
167673	MR-204	Distributor Tube	168400	MR-308-G-1	Motor Switch (Yellow) for Motor # S48AC63A40P
167680	MR-204-A	Distributor Tube Rear Collar w/Set Screw	169450	MR-308-K	Switch Guard
167690	MR-204-B	Distributor Tube Front Collar w/Set Screw	156395	MR-308-N	Strain Relief Nut
167710	MR-205	Fiber Washer (2)	132210	MR-DECAL	Set of Safety Decals
167750	MR-206	Front Hub	132320	MR-DVD	Instructional DVD
167770	MR-207	Round Head Cap Screw (4)	168900	PO-MR	Mini-Rooter Power Cable Feed
167870	MR-250	J-Drum (for 1/4" & 5/16" Cables)	168435	MR-GT	Guide Tube
167470	MR-201-A-3	Rear Hub Assembly for Inner Drum	130050	MRCS	Mini-Rooter Cutter Set
167872	MR-251-1	Rear Shell	121030	50EM2	Flexicore Cable, 3/8" x 50 ft. w/ Female Conn.
167873	MR-252	Round Head Machine Screw & Nut (2)	121040	75EM2	Flexicore Cable, 3/8" x 75 ft. w/ Female Conn.
167880	MR-255-1	Front Drum Assembly for Collet Chuck	121070	50EM3	Flexicore Cable, 1/2" x 50 ft. w/ Female Conn.
167880	MR-255-2	Front Drum Assembly for Quick Grip Chuck			
167901	MR-255-A-1	Spout Assembly for Collet Chuck			
167902	MR-255-A-2	Spout Assembly for Quick Grip Chuck			
167905	MR-255-B	Bushing			

# MINI-ROOTER PRO SCHEMATIC DIAGRAM



**IMPORTANT: When ordering, give Serial Number of Machine.**