

Fig. 188

Two Hole Standoff Strap

Size Range: 3/4" through 2"

Finish: Zinc Plated Steel (Hot-Dip Galvanized optional)

Service: Hanger for CPVC pipe in the horizontal position on the bottom of structural wood beams and steel 20ga. min. (Fig. B). It can also be used as a guide to limit movement for a pipe in the horizontal/vertical position on the side of structural wood beams, composite wood beams and steel 20ga. min. (Fig. A).

Approvals: UL and ULC Listed.

Installation:

- Snap hanger over pipe.
- Position hanger back around pipe but allow for pipe movement.
- Secure hanger to mounting surface with screws provided. Recheck to insure that the pipe is allowed to move freely through hanger.
- Steel applications require two (2) #14 x 1" hex washer head self-drilling TEK screws. Not Supplied. Part Number STD-0090.

Features:

- Beveled edge design helps protect the CPVC pipe from any rough surface.
- Easily attaches to wood structure with #10 x 1" hex washer head self threading screw supplied with product. No pre-drilling required.
- Eliminates wooden spacer blocks.

Ordering: Specify CPVC pipe size, figure number and description.

Note: If UL listed restraint is required, use Anvil Fig. 188R (Formerly Afcon Fig. 514).

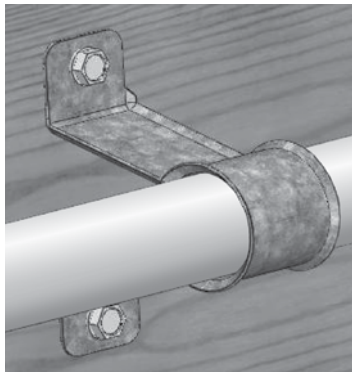


Fig. A

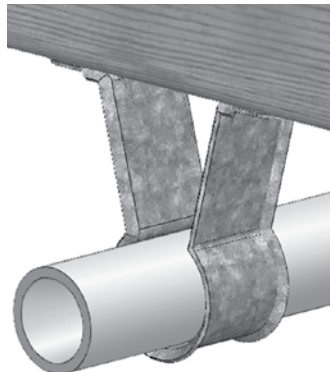


Fig. B

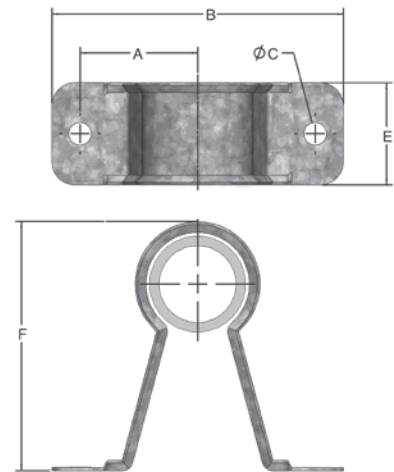


FIG. 188: DIMENSIONS (IN) • WEIGHT (LBS)

CPVC Pipe Size	A	B	øC	E	F	Max. Hanger Spacing (FT.)	Approx. Weight/100 (lbs)
3/4	1 5/16	3 1/4	1/4	1 1/8	2 3/4	5 1/2	5
1	1 3/8	3 3/8	1/4	1 1/8	3	6	6
1 1/4	1 1/2	3 11/16	1/4	1 1/8	3 5/16	6 1/2	7
1 1/2	1 7/8	4 3/8	1/4	1 1/8	3 9/16	7	8
2	2	4 1/2	1/4	1 1/8	4 1/8	8	9

PROJECT INFORMATION		APPROVAL STAMP	
Project:		<input type="checkbox"/> Approved	
Address:		<input type="checkbox"/> Approved as noted	
Contractor:		<input type="checkbox"/> Not approved	
Engineer:		Remarks:	
Submittal Date:			
Notes 1:			
Notes 2:			