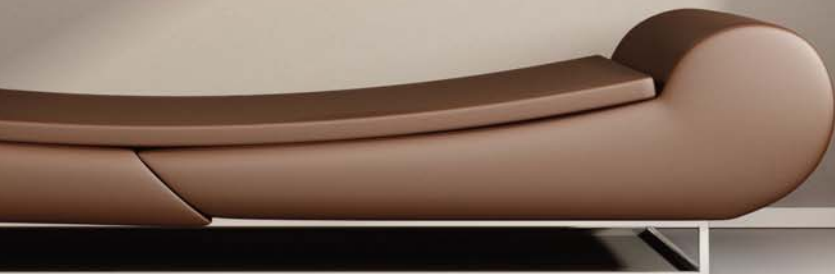


FUJITSU



Halcyon 

Floor Mounted 9, 12, 15,000 BTU Systems
Systems 9RLFF, 12RLFF, 15RLFF



Floor Mounted 9, 12, 15,000 BTU Systems

Systems 9RLFF, 12RLFF, 15RLFF



Indoor Models
 AGU9RLF
 AGU12RLF
 AGU15RLF



Outdoor Models
 AOU9RLFF
 AOU12RLFF
 AOU15RLFF

Floor mount systems are ideal for residential radiator replacements or any room with limited upper wall space, like a kitchen or sunroom.

- Compact size
- Available in 9, 12, or 15,000 BTU single zone models
- Heat pumps provide both cooling and heating
- Feature twin airflow for improved heat delivery
- Designer remote control

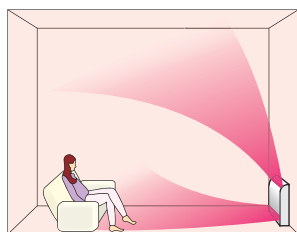


At less than 24" high and 30" wide, floor mount models fit easily under a standard window and can replace a radiator twice its size while producing more capacity.

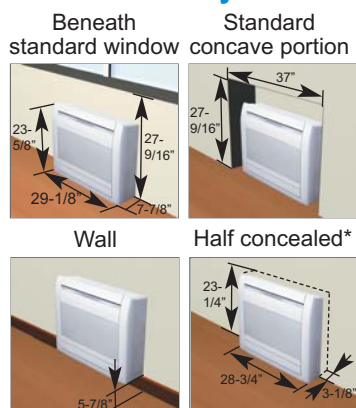
Features

2-Fan and Wide Airflow

Having both upper and lower airflow quickly warms or cools the entire room. Floor mount can be set in "Upward Airflow Only" when occupants wish not to have feet warmed or cooled.



Flexible and Easy Installation



*Field supplied insulation required

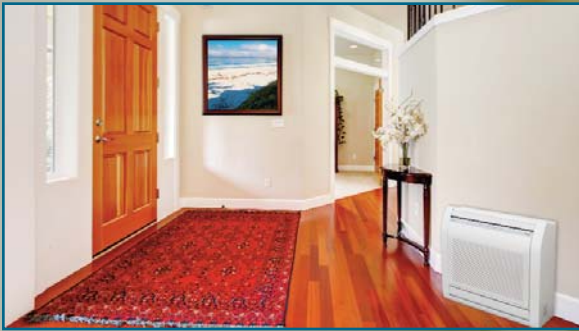
Energy Efficient

All systems feature high efficiencies and are **ENERGY STAR** Qualified, meaning lower utility bills for home and business owners.



Up to 26.0 SEER

The compact size of floor mount models makes them ideal for small spaces.

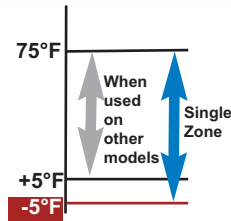


What is a Mini-Split?

Halcyon systems eliminate the need for a basement or attic-located evaporator unit and bulky ductwork by using thin copper tubing that pumps refrigerant directly to discreet wall mounted or concealed units inside. Even more remarkable, this same unit works in reverse in winter, absorbing heat from the outside air and moving it indoors to heat your home. The result? Efficient cooling and heating for year-round, whole-house comfort in most climates.

High Performance Heating

Heating capacity at low outdoor temperatures is achieved by adopting a large heat exchanger and a high capacity compressor. **Systems operate down to -5°F.**



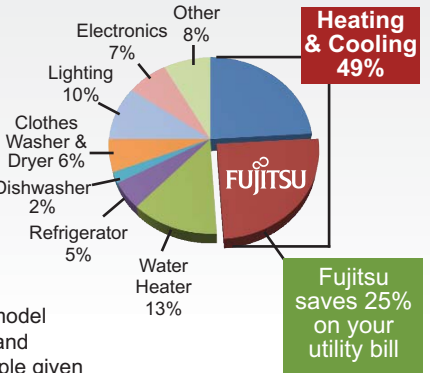
Super Quiet Operation

Floor mounts provide a peaceful inside environment for sleep and study with whisper quiet noise levels down to 23 dB(A).



Where Does My Money Go?

The high energy efficiencies of Halcyon systems slash utility bills by up to 25%. If your average annual utilities are \$4,200, Fujitsu can save you up to \$1,050 annually or \$10,500 in 10 yrs!*







*Savings may vary based on model selected, hours of operation and geographical location. Example given based on 26-SEER system versus 13-SEER system.

Multi-Zone Compatible

As part of the HFI line, indoor floor mount models are also compatible in multi-zone configurations when paired with multi-zone outdoor models. Multi-zone specifications vary from single zone specifications. See multi-zone brochure for details.



Standard Features

-  Wireless Remote Control
-  Apple Catechin Filter
-  Ion Deodorizing Filter
-  Sleep Timer
-  24-Hour Timer
-  Auto Louver: Up/Down
-  Auto Mode
-  Minimum Heat Mode
-  Economy Mode
-  Auto Restart/Reset
-  Auto Changeover
-  Powerful Mode



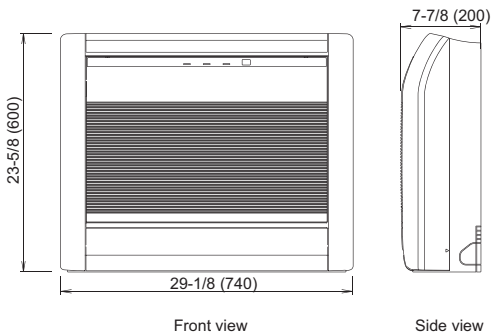
Designer wireless remote control

Accessories

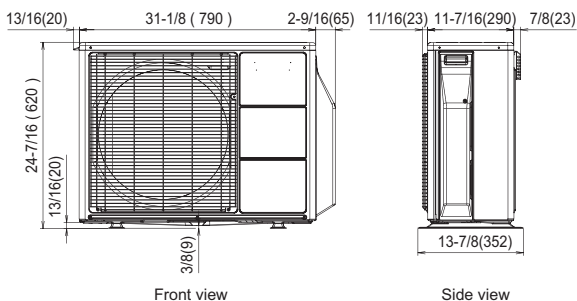
- Wired Remote Controller: UTY-RVNUM
Backlit and includes room temperature
- Wired Remote Controller: UTY-RNNUM
- Simple Remote Controller: UTY-RSNUM
- Dry Contact Wire Kit: UTY-XWZXZ5

Dimensions

AGU9RLF, AGU12RLF, AGU15RLF



AOU9RLFF, AOU12RLFF, AOU15RLFF



	9RLFF Heat Pump	12RLFF Heat Pump	15RLFF Heat Pump
Nominal Cooling BTU/h	9,000	12,000	14,200
Min.~Max. Cooling BTU/h	3,100~13,000	3,100~14,300	3,100~17,700
Nominal Heating BTU/h	12,000	16,000	18,000
Min.~Max. Heating BTU/h	3,100~18,800	3,100~22,100	3,100~23,900
HSPF BTU/hW	12.6	11.6	11.2
SEER BTU/hW	26.0	22.7	20.3
EER Clg/Htg	16.0/13.6	13.1/11.1	12.5/11.3
Clg. Operating Range °F(°C)	14~115 (-10~46)	14~115 (-10~46)	14~115 (-10~46)
Htg. Operating Range °F(°C)	-5~75 (-21~24)	-5~75 (-21~24)	-5~75 (-21~24)
Moisture Removal Pt./h(l/h)	2.75 (1.3)	3.8 (1.8)	4.44 (2.1)
Voltage/Frequency/Phase	208-230/60/1	208-230/60/1	208-230/60/1
Recommended Fuse Size (A)	15	15	20
Air Circ. C.F.M. (m³/h): Hi	335 (570)	335 (570)	383 (650)
Medium	271 (460)	271 (460)	306 (520)
Low	212 (360)	212 (360)	235 (400)
Quiet	159 (270)	159 (270)	159 (270)
Noise Level dB(A)Clg/Htg: Hi	40/40	40/40	44/43
Medium	35/35	35/35	38/37
Low	29/29	29/29	31/29
Quiet	23/23	23/23	23/23
Outdoor Fan Speed RPM Clg/Htg	870/870	1,050/870	1,050/1,000
Outdoor Noise Level dB(A) Clg/Htg	50/50	52/52	54/54
Current Rated (A): Cooling	2.9	4.2	5.1
Heating	4.1	6.7	7.0
Power Use Rated (kw): Cooling	.56	.97	1.13
Heating	.88	1.44	1.58
Fan Speeds Stage	4+Auto	4+Auto	4+Auto
Air Direction: Horizontal	Manual	Manual	Manual
Vertical	Auto	Auto	Auto
Air Filter	Washable	Washable	Washable
Apple Catechin Filter	Yes	Yes	Yes
Ion Deodorizing Filter	Yes	Yes	Yes
Connection Method	Flare	Flare	Flare
Combined Min. Lgth Ft (m)	10 (3)	10 (3)	10 (3)
Combined Max. Lgth Ft (m)	66 (20)	66 (20)	66 (20)
	(pre-charge: 49')	(pre-charge: 49')	(pre-charge: 49')
Max. Vertical Diff. Ft (m)	49 (15)	49 (15)	49 (15)
Conn. Pipe Diameter Inch	Suc. 3/8 Dis. 1/4	Suc. 3/8 Dis. 1/4	Suc. 1/2 Dis. 1/4
Net Weight lbs. (kg)	31 (14)	84 (38)	31 (14)
	84 (38)	31 (14)	86 (39)
Dimensions: Height Inch	23-5/8	24-7/16	23-5/8
	24-7/16	23-5/8	24-7/16
mm	600	620	600
	620	600	620
Width Inch	29-1/8	31-1/8	29-1/8
	31-1/8	29-1/8	31-1/8
mm	740	790	740
	790	740	790
Depth Inch	7-7/8	11-7/16	7-7/8
	11-7/16	7-7/8	11-7/16
mm	200	290	200
	290	200	290
Refrigerant	R410A	R410A	R410A
Indoor AGU9RLF	Indoor AOU9RLFF	Indoor AGU12RLF	Indoor AOU12RLFF
Outdoor AOU9RLFF	Outdoor AOU12RLFF	Indoor AGU15RLF	Indoor AOU15RLFF
	Outdoor AOU15RLFF	Outdoor AOU15RLFF	

Note: Figures are based on 230 Volts.





It's Green and It's In There!



Year Round Comfort	Heat pumps provide both heating and cooling for year round comfort in most climates.
Cruise Control	Compressors only run as fast as they need to handle the cooling or heating demand.
Clean Air	High performance filters remove dust, odor and improve indoor air quality.
Timer	24-hour programmable timer allows for on/off cycle control of system.
Earth Friendly	Low ozone depleting potential (ODP) refrigerant R410a used in all models.
Oscillating Fan	Auto Louver redirects airflow with up and down.
Savings	High energy efficiencies slash utility bills by up to 25%.
Rebates	Many utility companies offer rebates for installing energy efficient equipment.

The Fujitsu logo is a registered trademark of Fujitsu Limited. The Halcyon logo and name is a trademark of Fujitsu General America, Inc. Copyright 2013 Fujitsu General America, Inc. Fujitsu's products are subject to continuous improvements. Fujitsu reserves the right to modify product design, specifications and information without notice and without incurring any obligations.

Distributed by:



Fujitsu General America, Inc.
353 Route 46 West
Fairfield, NJ 07004
Tel: (973) 575-0380
Email: hvac@fujitsugeneral.com
www.fujitsugeneral.com



Printed in the USA Rev. 10/13
Part #6-26-FGXXXX