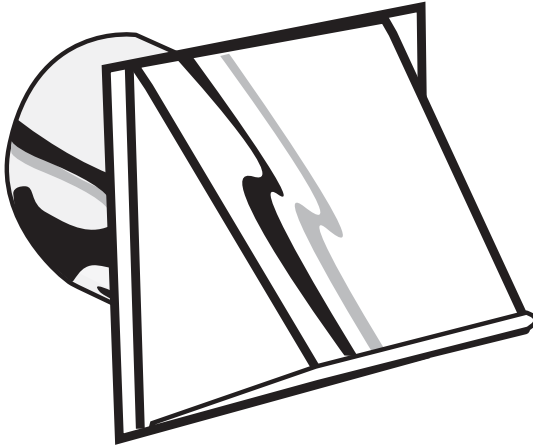


Aluminum Vents - all Aluminum with 3" (75mm) tail piece, 4" (102mm), 5" (127mm), 6" (152mm), 7" (178mm) & 8" (203mm) dia.



DAHC4, DAHC5, DAHC6, DAHC7 & DAHC8

| Model No. | Description | Color |
|-----------|--------------------------|--------|
| DAHC4 | 4" dia. w/ 3" tail piece | Silver |
| DAHC5 | 5" dia. w/ 3" tail piece | Silver |
| DAHC6 | 6" dia. w/ 3" tail piece | Silver |
| DAHC7 | 7" dia. w/ 3" tail piece | Silver |
| DAHC8 | 8" dia. w/ 3" tail piece | Silver |

Performance Data

for aluminum vent hoods

Hood

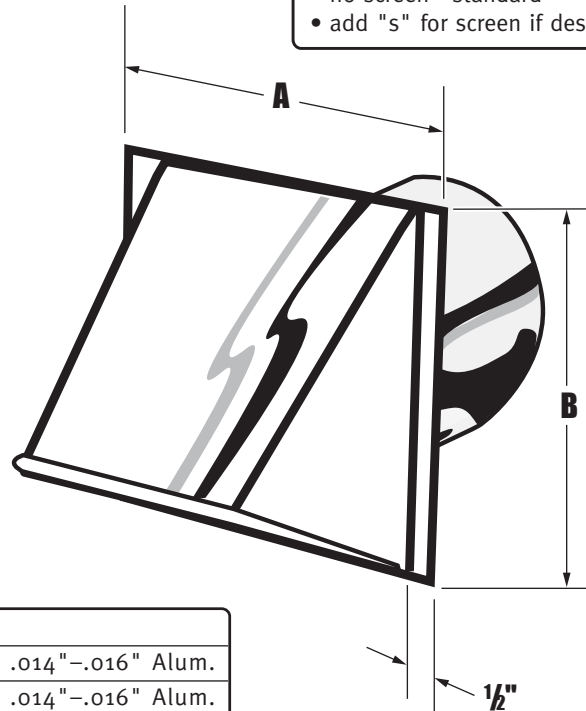
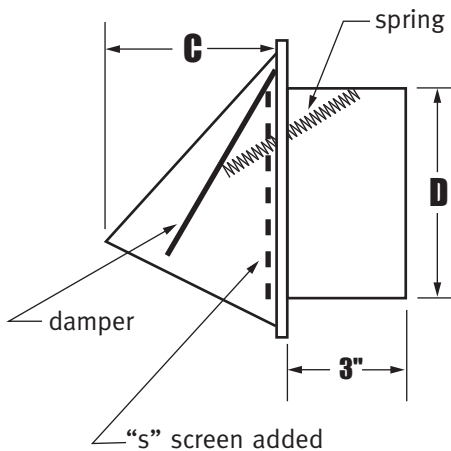
- aluminum
- aluminum spring loaded damper

Pipe

- aluminum

General Information

- 4", 5", 6", 7" and 8" dia. aluminum vents
- light gauge most commonly used in general venting
- 3" metal tail piece for easy attachment of duct
- no screen - standard
- add "s" for screen if desired



| Model No. | Free Air | A | B | C | D | |
|-----------|------------------|-----|--------|--------|----|-------------------|
| DAHC4 | 30 sq. inches | 8" | 9 1/2" | 4 3/8" | 4" | .014"-.016" Alum. |
| DAHC5 | 30 sq. inches | 8" | 9 1/2" | 4 3/8" | 5" | .014"-.016" Alum. |
| DAHC6 | 30 sq. inches | 8" | 9 1/2" | 4 3/8" | 6" | .016"-.020" Alum. |
| DAHC7 | 38.25 sq. inches | 10" | 11" | 4" | 7" | .016"-.020" Alum. |
| DAHC8 | 39 sq. inches | 10" | 11" | 4" | 8" | .016"-.020" Alum. |