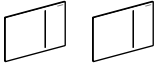


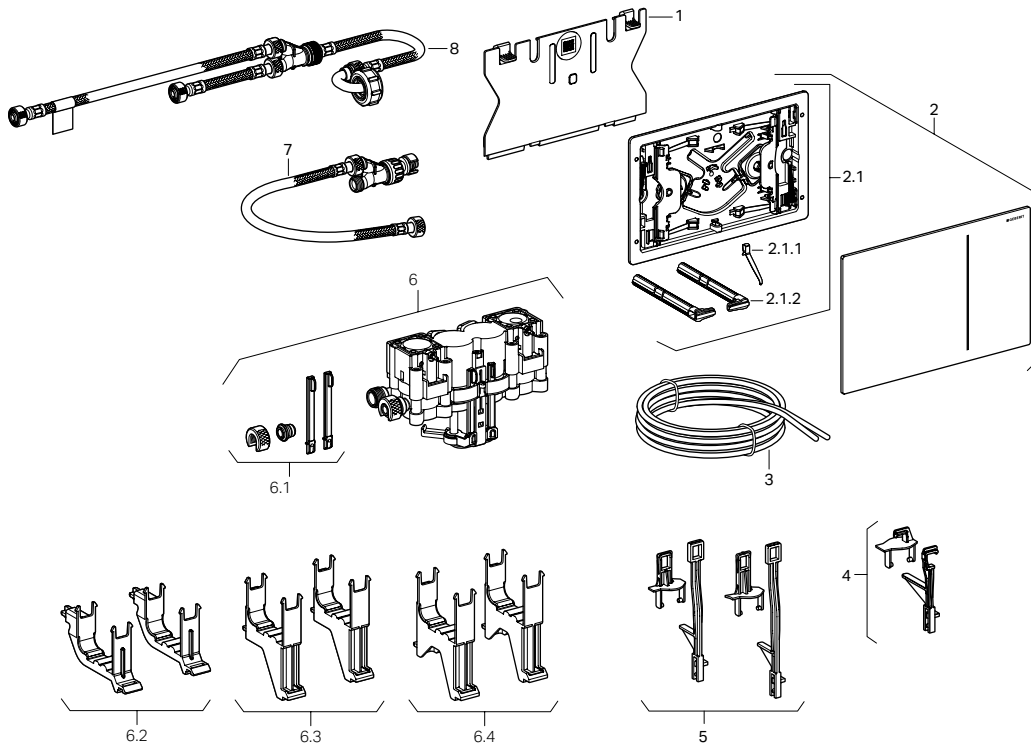
# Replacement Parts


## Geberit Sigma70 Actuators

115.620 115.625 Actuator Dimensions: 9.5" x 6.3" (24 cm x 15.8 cm)



Item	Model No.	Description	List Price
1	242.819.00.1	Protection plate for Sigma Concealed Tank 2x6	\$12.00
1	243.084.00.1	Protection plate for Sigma Concealed Tank 2x4	59.00
2	242.813.FW.1	Actuator plate Sigma70, Brushed SS	189.00
2	242.813.SI.1	Actuator plate Sigma70, White Glass	159.00
2	242.813.SJ.1	Actuator plate Sigma70, Black Glass	159.00
2	242.813.SQ.1	Actuator plate Sigma70, Umber Glass	159.00
2	242.813.00.1	Actuator plate Sigma70 customer supplied inlay	189.00
2.1	242.814.00.1	Mounting frame Sigma70	32.00
2.1.1	2.1.1	813.514.00.1 Spring for actuator plate	2.00
2.1.2	2.1.2	241.874.00.1 Actuator rod set mount w/o tool	11.00
3	3	243.297.00.1 Double pneumatic hose, 78.74" (2 m), dual-flush (Green/Clear)	6.00
4	242.825.00.1	Conversion set flush valve Sigma Concealed Tank, 4.72" (12 cm) and Omega Concealed Tank 2x6	10.00
5	242.826.00.1	Conversion set flush valve Sigma Concealed Tank, 3.16" (8 cm) 2x4	10.00
6	6	242.820.00.1 Hydraulic flushing device	189.00
6.1	6.1	242.822.00.1 Spare parts set for hydraulic lifter	10.00
6.2	243.170.00.1	Support block hydraulic servo lifter for 2x6 Sigma Concealed Tank	16.00
6.3	243.171.00.1	Support block hydraulic servo lifter for 2x4 Sigma Concealed Tank	16.00
6.4	243.347.00.1	Support block hydraulic servo lifter for 2x4 Sigma Concealed Tank (2016 version)	16.00
7	242.824.00.1	Connection hose complete for Sigma Concealed Tank, 4.72" (12 cm) 2x6	40.00
8	242.823.00.1	Connection hose complete for Sigma Concealed Tank, 3.16" (8 cm) 2x4	56.00



Products marked with  comply with the American Disabilities Act (ADA) when installed per the requirements of the latest ADA Accessibility Guidelines (ADAAG) and/or ICC/ANSI A117.1.