

Seismic Transitional Attachments

TOLCO Fig. 980 - Universal swivel sway brace attachment - 3/8" to 3/4" mounting hardware TOLCO Fig. 980H - Universal swivel sway brace attachment - 7/8" to 1 1/4" mounting hardware

Size Range: One size fits bracing pipe 1" (25mm) thru 2" (50mm), B-Line series 12 gauge (2.6mm) channel.

Material: Carbon steel

Function: Multi-functional attachment to structure or braced pipe fitting.

Features: This product's design incorporates a concentric attachment opening which is critical to the performance of structural seismic connections and in accordance with NFPA 13, 2019 Section 18.5.11.5. The Fig. 980 mounts to any surface angle and the break off bolt head assures verification of proper installation.

Installation: Fig.980 is the structural or transitional attachment component of a longitudinal or lateral sway brace assembly. It is intended to be combined with the "bracing pipe" and TOLCO™ "braced pipe" attachment, Fig. 1001, 2002, 3000, 4L or approved attachment to pipe to form a complete bracing assembly. NFPA 13 guidelines should be followed.

To Install: Place the Fig. 980 onto the "bracing pipe". Tighten the set bolt until the head breaks off. Attachment can pivot for adjustment to proper brace angle.

Approvals: —Underwriters Laboratories Listed in the USA (UL) and Canada (cUL). UL Listed for the following brace member type pipes: Sch. 40, KSD 3562. Ask the factory for additional information as it may vary by product size. Included in our Seismic Engineering Guidelines approved by the State of California Office of Statewide Health Planning and Development (OSHPD). For additional load, spacing and placement information relating to OSHPD projects, please refer to our Seismic Engineering Guidelines, OPM-0052-13. For FM Approval information refer to FM Approved page 61.

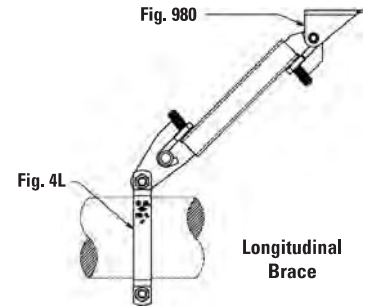
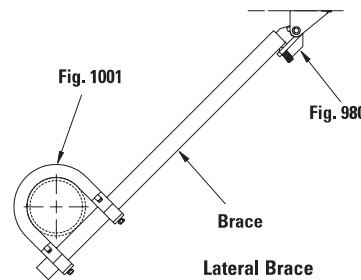
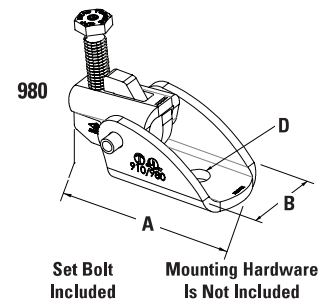
Note: Fig. 980 Swivel Attachment and Fig. 1001, 2002, 3000, 4L, or approved attachment to pipe make up a sway brace system of UL Listed attachments and bracing materials which satisfies the requirements of Underwriters Laboratories and the National Fire Protection Association (NFPA)

Finish: Plain, Electro-Galvanized or Stainless Steel.

Contact customer service for alternative finishes.

Order By: Figure number and finish.

Pat. #6,273,372, Pat. #6,517,030, Pat. #6,953,174,
Pat. #6,708,930, Pat. #7,191,987, Pat. #7,441,730,
Pat. #7,669,806



Catalog #	A		B		D**		Max. Design Load (cULus) lbs./(kN)	Max. Design Load*** (FM)				Approx.Wt./100	
	in.	(mm)	in.	(mm)	in.	(mm)		30°-44° lbs./(kN)	45°-59° lbs./(kN)	60°-74° lbs./(kN)	75°-90° lbs./(kN)	lbs.	(kg)
980-3/8	4 9/16 (114.9)	2 1/16 (52.4)	7/16 (11.1)	1600 (7.12)	2370 (10.54)	2790 (12.41)	3360 (14.94)	3750 (16.68)	149 (67.6)	148 (67.1)	147 (66.7)	146 (66.2)	
980-1/2			9/16 (14.3)	2100 (9.34)									
980-5/8			11/16 (17.5)	2100 (9.34)									
980-3/4			13/16 (20.6)	2100 (9.34)									
980H-7/8	6 3/4 (171.4)	3 1/2 (88.9)	15/16 (23.8)	Fig. 980H is not UL Listed or FM Approved	402 (182.3)	400 (181.4)	397 (180.1)	390 (176.9)					
980H-1			1 1/16 (27.0)										
980H-1 1/8			1 3/16 (30.2)										
980H-1 1/4			1 5/16 (33.3)										

* Sizes available in stainless steel (980S-3/8, 980S-1/2, 980S-5/8, and 980S-3/4) and have the same UL rating as what is listed.

** Mounting attachment hole size.

*** Installed with 1" or 1 1/4" schedule 40 brace pipe.

Eaton's B-Line series seismic bracing components are designed to be compatible only with other B-Line series bracing components, resulting in a listed seismic bracing assembly. Eaton B-Line Division warranty for seismic bracing components will be the warranty provided in Eaton B-Line Division standard terms and conditions of sale made available by Eaton, except that, in addition to the other exclusions from Eaton B-Line Division warranty, Eaton makes no warranty relating to B-Line series seismic bracing components that are combined with products not provided by Eaton.

All dimensions in charts and on drawings are in inches. Dimensions shown in parentheses are in millimeters unless otherwise specified.