

Pipe Rollers & Roller Supports

Fig. B3120 - Roller Chair (TOLCO Fig. 325)

Size Range: 2" (50mm) thru 24" (600mm) pipe

Material: Cast iron and steel

Function: For supporting pipe where movement may occur due to thermal expansion. Used when ceiling suspension is impractical.

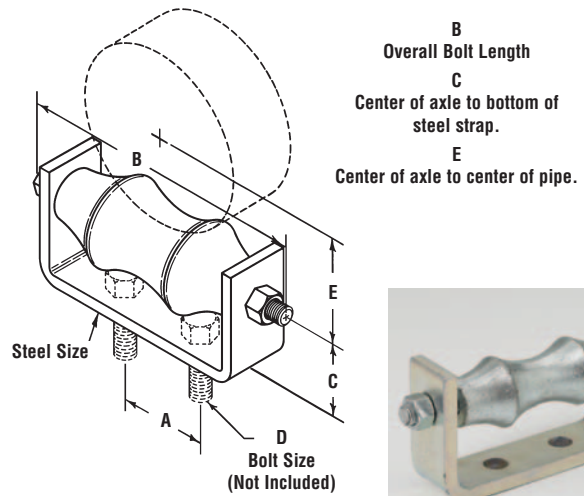
Approvals: Conforms to Federal Specification WW-H-171E & A-A-1192A, Type 45 and Manufacturers Standardization Society ANSI/MSS SP-69 & SP-58, Type 44.

Note: When pipe line is insulated, total outside diameter of pipe and covering should be used to determine size of hanger; also see B3160 to B3165.

Finish: Plain. Contact Cooper B-Line for alternative finishes and materials.

Order by: Figure number, pipe size and finish

Note: Not for continuous cycling applications.



Part No.	Pipe Size		A		B		C		Recommended Bolt Size D (Not Included)
	in.	(mm)	in.	(mm)	in.	(mm)	in.	(mm)	
B3120-2	2"	(50)	1 1/4"	(31.7)	4 5/8"	(117.5)	1 1/2"	(38.1)	3/8"-16 x 1 1/2"
B3120-2 1/2	2 1/2"	(65)	1 1/4"	(31.7)	5 3/8"	(136.5)	1 5/8"	(41.3)	3/8"-16 x 1 1/2"
B3120-3	3"	(80)	2"	(50.8)	6"	(152.4)	1 3/4"	(44.4)	3/8"-16 x 1 1/2"
B3120-3 1/2	3 1/2"	(90)	2"	(50.8)	6 3/4"	(171.4)	2 1/16"	(52.4)	3/8"-16 x 1 1/2"
B3120-4	4"	(100)	2"	(50.8)	7 1/4"	(184.1)	2 5/16"	(58.7)	1/2"-13 x 1 1/2"
B3120-5	5"	(125)	3"	(76.2)	8 7/16"	(214.3)	2 1/2"	(63.5)	1/2"-13 x 1 1/2"
B3120-6	6"	(150)	3 1/8"	(79.4)	9 3/4"	(247.6)	2 3/4"	(69.8)	1/2"-13 x 1 1/2"
B3120-8	8"	(200)	3 3/8"	(85.7)	12"	(304.8)	3"	(76.2)	5/8"-11 x 1 1/2"
B3120-10	10"	(250)	5 1/4"	(133.3)	14 7/16"	(366.7)	3 5/8"	(92.1)	5/8"-11 x 2"
B3120-12	12"	(300)	5 1/2"	(139.7)	16 5/8"	(422.3)	4 1/8"	(104.8)	5/8"-11 x 2"
B3120-14	14"	(350)	6"	(152.4)	18 1/4"	(463.5)	4 5/8"	(117.5)	5/8"-11 x 2"
B3120-16	16"	(400)	8"	(203.2)	21"	(533.4)	5"	(127.0)	5/8"-11 x 2 1/2"
B3120-18	18"	(450)	9"	(228.6)	23"	(584.2)	5 1/4"	(133.3)	5/8"-11 x 2 1/2"
B3120-20	20"	(500)	10"	(254.0)	25"	(635.0)	5 3/4"	(146.0)	3/4"-10 x 3"
B3120-24	24"	(600)	12"	(304.8)	30"	(762.0)	7"	(177.8)	3/4"-10 x 3"

Notes: If using D.I. pipe refer to page 295 for sizing. Non-metallic rollers with stainless steel chair and hardware are available for most sizes (B3120NM-Pipe Size). Contact Cooper B-Line Engineering for more information.

Part No.	E		Steel Size		Design Load		Approx. Wt./100	
	in.	(mm)	in.	(mm)	lbs.	(kN)	lbs.	(kg)
B3120-2	1 9/16"	(39.7)	1/4" x 1 1/4"	(6.3 x 31.7)	300	(1.33)	119	(54.0)
B3120-2 1/2	1 7/8"	(47.6)	1/4" x 1 1/4"	(6.3 x 31.7)	600	(2.67)	146	(66.2)
B3120-3	2 3/16"	(55.6)	1/4" x 1 1/4"	(6.3 x 31.7)	600	(2.67)	172	(78.0)
B3120-3 1/2	2 1/2"	(63.5)	3/8" x 1 1/2"	(9.5 x 38.1)	600	(2.67)	264	(119.7)
B3120-4	2 3/4"	(69.8)	3/8" x 1 1/2"	(9.5 x 38.1)	700	(3.11)	303	(137.4)
B3120-5	3 3/8"	(85.7)	3/8" x 1 1/2"	(9.5 x 38.1)	700	(3.11)	401	(181.9)
B3120-6	3 15/16"	(100.0)	3/8" x 2"	(9.5 x 50.8)	1000	(4.45)	620	(281.2)
B3120-8	5 1/16"	(128.6)	3/8" x 2"	(9.5 x 50.8)	1300	(5.78)	874	(396.4)
B3120-10	6 1/4"	(158.7)	1/2" x 2"	(12.7 x 50.8)	1700	(7.56)	1270	(576.1)
B3120-12	7 3/8"	(187.3)	1/2" x 2"	(12.7 x 50.8)	2300	(10.33)	1918	(870.0)
B3120-14	8 1/4"	(209.5)	1/2" x 2 1/2"	(12.7 x 63.5)	3100	(13.79)	2629	(1192.5)
B3120-16	9 1/4"	(234.9)	5/8" x 2 1/2"	(15.9 x 63.5)	3900	(17.35)	3248	(1473.3)
B3120-18	10 3/8"	(263.5)	5/8" x 2 1/2"	(15.9 x 63.5)	4200	(18.68)	4120	(1868.8)
B3120-20	11 1/2"	(292.1)	5/8" x 3"	(15.9 x 76.2)	4500	(20.01)	5630	(3553.7)
B3120-24	13 3/4"	(349.2)	3/4" x 3"	(19.0 x 76.2)	6000	(26.69)	7702	(3493.6)

All dimensions in charts and on drawings are in inches. Dimensions shown in parentheses are in millimeters unless otherwise specified.