

# INSTALLATION INSTRUCTIONS

*American Standard*

Style That Works Better

## Clinic Service Sink 710098-201.81 Pedestal Base 9504999.020 Service Sink

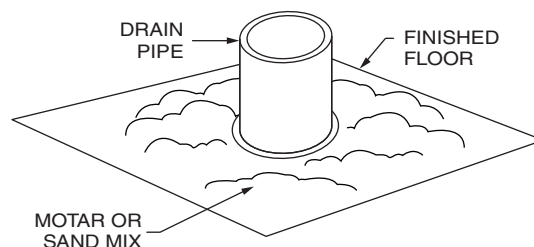
**Introduction:** Thank you for selecting our products...products which have been the benchmarks of fine quality for years. To help insure that the installation process will proceed smoothly, please read these instructions carefully before you begin. Also, review the recommended tools and materials list; carefully unpack and examine your new plumbing fixture.

**⚠ CAUTION: PRODUCT IS FRAGILE. TO AVOID BREAKAGE AND POSSIBLE INJURY HANDLE WITH CARE!**

NOTE: Pictures may not exactly define contour of china and components.

### 1 PEDESTAL INSTALLATION INSTRUCTIONS

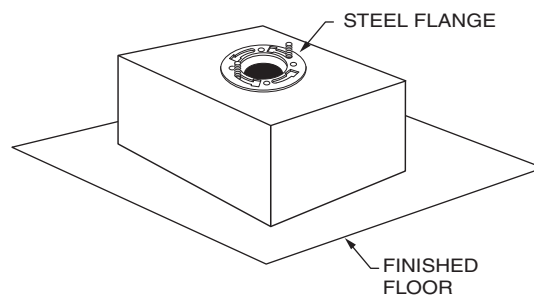
- Secure drain pipe to floor (mortar or sand mix, brace as necessary).
- Cut the pipe so that the install flange sits on the pedestal. We recommend using a metal flange.
- Apply 1/2" to 1" of mortar or sand mix to the floor to bed the pedestal in place.



### 2

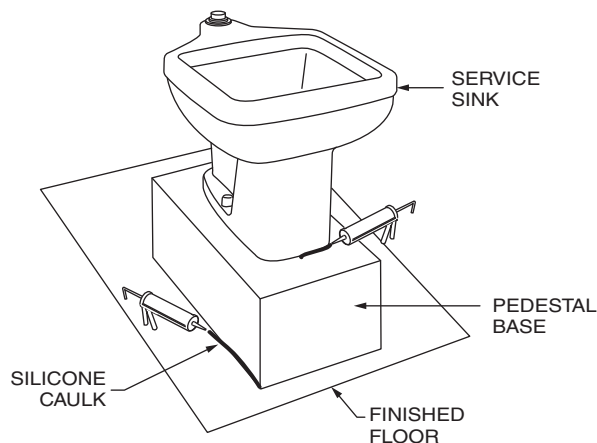
- Place the pedestal in desired position over drain

- Put the bolts in the flange and tape in place on the bottom of the flange to keep the bolts from falling through the flange.
- Install metal flange to drain line.



### 3 SERVICE SINK INSTALLATION INSTRUCTIONS

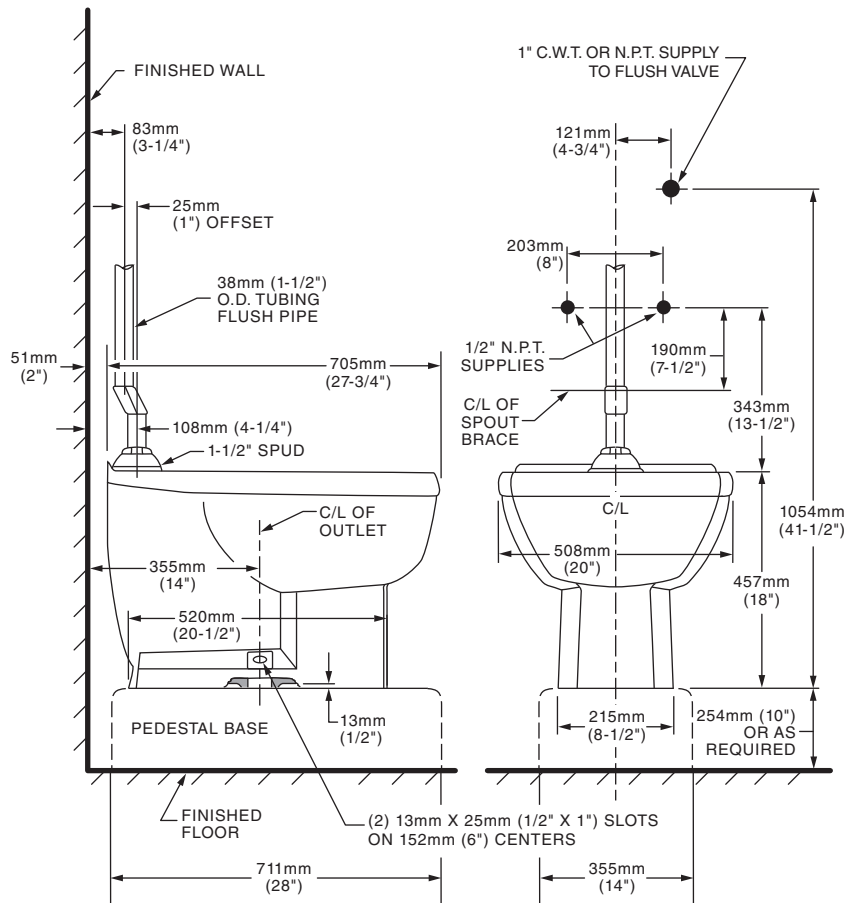
- Install the service sink and snug to flange.
- When complete, silicone caulk the pedestal to the floor and silicone caulk the service sink to pedestal.



#### SEALERS - NEW INSTALLATIONS

Immediately following installation of a new floor or thorough cleaning of an older floor, the floor must be sealed with a penetrating sealer. Such sealers are available at paint or tile stores and must state that they are approved for use on Terrazzo products. Sealers are not permanent and is suggested to be reapplied (after a thorough cleaning) approximately once a year, or as recommended by the manufacturer of the sealer. Users must follow sealer instructions carefully; completely follow terrazzo sealer surface preparation conditions before applying sealers as directed by sealer instructions.

# 4 ROUGH-IN



**NOTE: FLUSH PIPE NOT INCLUDED**

## AS AMERICA, INC. ONE YEAR LIMITED WARRANTY

If inspection of this AS America, Inc. ("American Standard") plumbing product, within one year after its initial purchase, confirms that it is defective in materials or workmanship, American Standard will repair or, at its option, exchange the product for a same or similar model.

This limited warranty applies only to the original purchaser and installation of these products. In the event of a limited warranty claim, proof of purchase will be required—save sales receipts.

This limited warranty does not apply to local building code compliance. Since local building codes vary considerably, the purchaser of this product should check with a local building or plumbing contractor to insure local code compliance before installation.

This limited warranty will be void if the product has been moved from its initial place of installation; if it has been subjected to faulty maintenance, abuse, misuse, accident or other damage; if it was not installed in accordance with American Standard's instructions; or if it has been modified in a manner inconsistent with the product as shipped by American Standard.

American Standard's option to repair or exchange the product under this limited warranty does not cover any labor or other costs of removal or installation including any costs of any surrounding material such as tile or marble. American Standard is not responsible for any other incidental or consequential damages attributed to a product defect or to the repair or exchange of a defective product, all of which are expressly excluded from the warranty. This limited warranty does not cover the extension beyond the duration of this limited warranty of any implied limited warranties, including those of merchantability or fitness for an intended purpose. (Some states or provinces do not allow the exclusion or limitation of implied warranties, so this exclusion may not apply to you.)

This limited warranty gives you specific legal rights. You may have other statutory rights that vary from state to state or from province to province, in which case this limited warranty does not affect such statutory rights.

For service under this warranty, it is suggested that a claim be made through the contractor or dealer from or through whom the product was purchased, or that a service request (including a description of the product model and of the defect) be sent to the following address:

**In the United States:**  
 American Standard Brands  
 P.O. Box 6820  
 Piscataway, New Jersey 08855  
 Attention: Director of Consumer Affairs

For residents of the United States, warranty information may also be obtained by calling the following toll free number: (800) 442-1902  
[www.americanstandard-us.com](http://www.americanstandard-us.com)

**In Canada:**  
 AS Canada, ULC  
 5900 Avebury Ave.  
 Mississauga, Ontario  
 Canada L5R 3M3

Toll Free: (800) 387-0369  
[www.americanstandard.ca](http://www.americanstandard.ca)

**In Mexico:**  
 Customer Service Manager  
 AS Maquila, S.A. de C.V.  
 Via Morelos #330  
 Col. Santa Clara  
 Ecatepec 55540 Edo. Mexico

[www.americanstandard.com.mx](http://www.americanstandard.com.mx)

**THIS WARRANTY IS NOT TRANSFERABLE FROM ORIGINAL CONSUMER PURCHASER.**