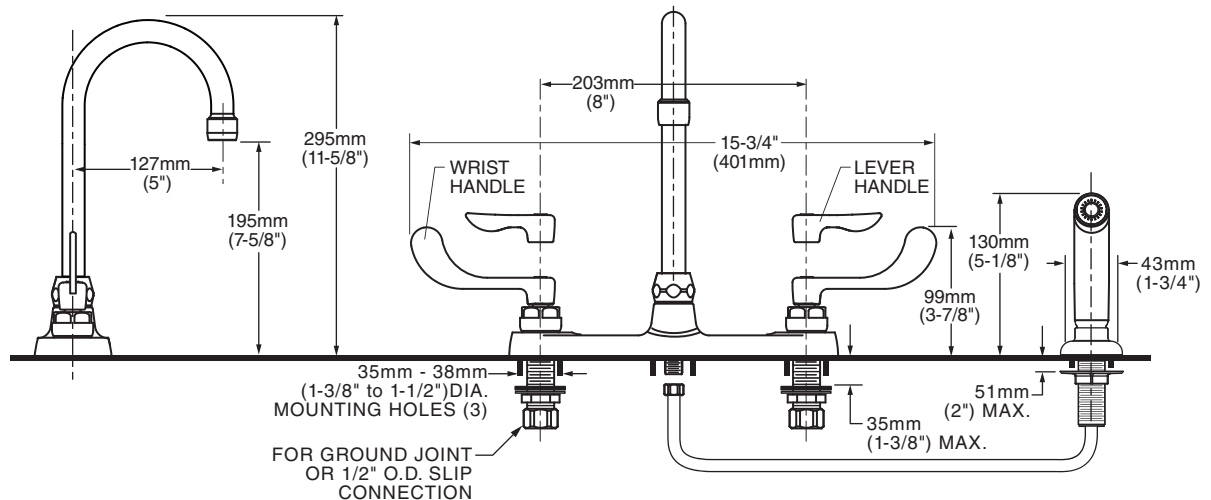




6405.141 Shown

MODEL NUMBER:

- ❑ **6405.141 Top Mount Faucet with 5" Gooseneck Spout**
 Field-convertible rigid / swivel gooseneck spout. Vandal-resistant metal lever handles with red/blue indexes. 1.5 gpm pressure compensating aerator. Color matched spray.
- ❑ **6405.140 Top Mount Faucet with 5" Gooseneck Spout**
 Same as above, less spray.
- ❑ **6405.171 Top Mount Faucet with 5" Gooseneck Spout**
 Field-convertible rigid / swivel gooseneck spout. Vandal-resistant metal wrist blade handles with red/blue indexes. 1.5 gpm pressure compensating aerator. Color matched spray.
- ❑ **6405.170 Top Mount Faucet with 5" Gooseneck Spout**
 Same as above, less spray.



GENERAL DESCRIPTION:

Durable cast brass construction. Field-convertible rigid-swivel gooseneck spout (5" reach, 11-5/8" overall height, 7-5/8" height to outlet). 1/4 turn ceramic disc valve cartridges. 1/2" male threaded inlet shanks with brass shank nuts and coupling nuts. Choice of vandal-resistant wrist blade or lever handles with blue & red color indexes. 1.5 gpm/5.7L/min. maximum flow rate.

PRODUCT FEATURES:

Ceramic Disc Valve Cartridges: Assure a lifetime of drip-free performance.

Pressure Compensating Aerator: Provides a constant water flow of 1.5 gpm throughout the pressure range.

Field-Convertible Rigid / Swivel Gooseneck Spout: 5" reach, 11-5/8" overall height, 7-5/8" height to outlet.

Solid Brass Construction: Durable. Excellent in high use applications. Ideal for prolonged contact with water.

Handle Choice: Vandal-resistant lever or wrist blade handles with red & blue indexed handles.

Lead Free: Faucet contains ≤ 0.25% total lead content by weighted average.

5 Year Warranty: 5 year limited warranty for commercial installations.

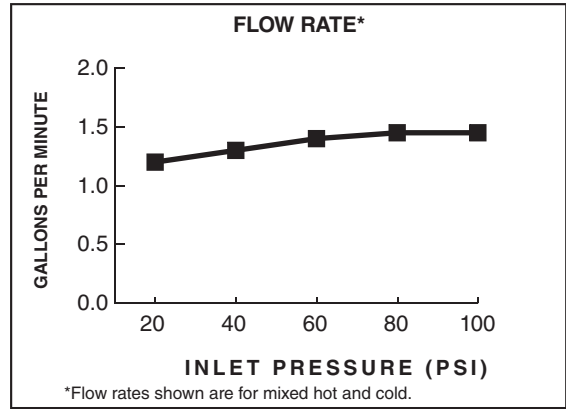
SUGGESTED SPECIFICATION:

Two handle top-mount kitchen faucet shall feature cast brass construction with all brass coupling nuts. Shall feature brass, field-convertible rigid/swivel spout with 5" reach. Shall also feature 1/4 turn washerless ceramic disc valve cartridges. Fitting shall be American Standard Model #6405.1__002.

CODES AND STANDARDS

These products meet or exceed the following codes and standards:

- ASME A112.18.1**
- CSA B 125**
- NSF 61/Section 9, Annex G**
- CALGreen**



Product Number	Description	Finish
		Polished Chrome
		002
6405.141	Top mount faucet with field-convertible 5" rigid / swivel spout. VR lever handles. 1.5 gpm PCA aerator. With color matched spray.	
6405.140	Top mount faucet with field-convertible 5" rigid / swivel spout. VR lever handles. 1.5 gpm PCA aerator. Less spray.	
6405.171	Top mount faucet with field-convertible 5" rigid / swivel spout. VR wrist blade handles. 1.5 gpm PCA aerator. With color matched spray.	
6405.170	Top mount faucet field-convertible 5" rigid / swivel spout. VR wrist blade handles. 1.5 gpm PCA aerator. Less spray.	

 MEETS THE AMERICANS WITH DISABILITIES ACT GUIDELINES AND ANSI A117.1 REQUIREMENTS FOR ACCESSIBLE AND USABLE BUILDING FACILITIES-CHECK LOCAL CODES

Other Aerators Available:

Part Suffix	Description
LV15	1.5 gpm (5.7 Lpm) Vandal-Resistant PCA Non-Aerated Laminar Flow Outlet
L15	1.5 gpm (5.7 Lpm) PCA Non-Aerated Laminar Flow Outlet
V15	1.5 gpm (5.7 Lpm) Vandal-Resistant PCA Aerator
LV10	1.0 gpm (3.8 Lpm) Vandal-Resistant PCA Non-Aerated Laminar Flow Outlet
L10	1.0 gpm (3.8 Lpm) PCA Non-Aerated Laminar Flow Outlet
V10	1.0 gpm (3.8 Lpm) Vandal-Resistant PCA Aerator
V05	0.5 gpm (1.9 Lpm) Vandal-Resistant PCA Non-Aerated Spray
V035	0.35 gpm (1.3 Lpm) Vandal-Resistant PCA Non-Aerated Spray

*PCA - Pressure Compensating
 All modifications meet CALGreen Code