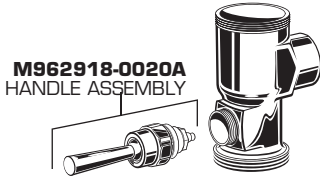


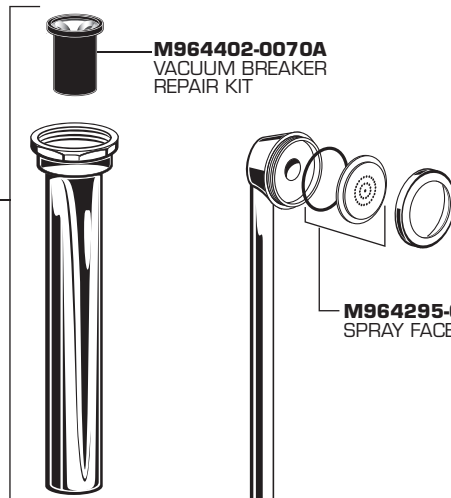
M962921-0070A
CAP SEAL
M962938-0070A
CUP SEAL

M964905A-0071600A (PISTON ASSEMBLY, 1.6 gpf)
M964905B-0071280A (PISTON ASSEMBLY, 1.28 gpf)
PISTON ASSEMBLY



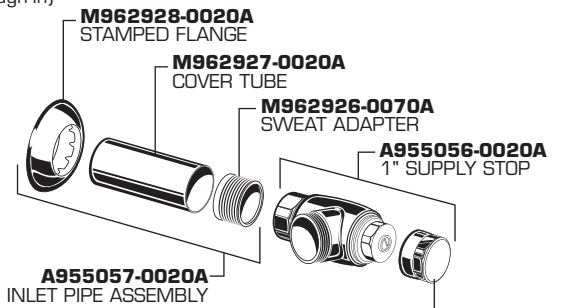
M962918-0020A
HANDLE ASSEMBLY

OPTIONAL ADJUSTABLE TAILPIECE
(Purchased Separately)
M962836-0020A (8-1/4" to 9-1/4" Rough-in)
M962835-0020A (7-1/4" to 8-1/4" Rough-in)
M962834-0020A (6-1/4" to 7-1/4" Rough-in)
M962833-0020A (5-1/4" to 6-1/4" Rough-in)
M962920-0020A
ADJUSTABLE TAILPIECE
(4-1/4" to 5-1/4" Rough-in)



M964298-0020A
VACUUM BREAKER
ASSEMBLY

M964402-0070A
VACUUM BREAKER
REPAIR KIT



A955057-0020A
INLET PIPE ASSEMBLY

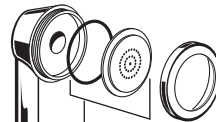
M962928-0020A
STAMPED FLANGE

M962927-0020A
COVER TUBE

M962926-0070A
SWEAT ADAPTER

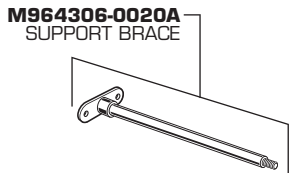
A955056-0020A
1" SUPPLY STOP

M924347-0020A
SUPPLY STOP CAP

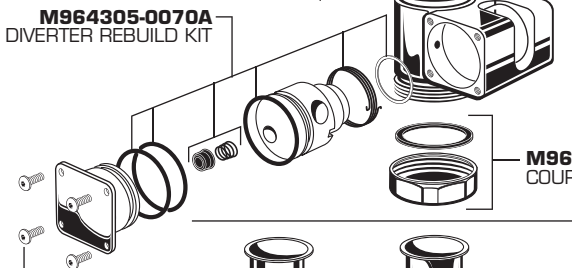


M964295-00 70A
SPRAY FACE KIT

M964307-0070A
SPRAY ARM
SEAL KIT



M964306-0020A
SUPPORT BRACE



M964305-0070A
DIVERTER REBUILD KIT

M964296-0020A
DIVERTER ASSEMBLY
COMPLETE

M964308-0020A
COUPLING KIT

M964304-0020A
SCREWS

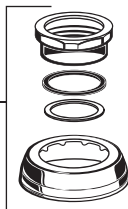
M964303-0020A
1-1/2" OFF-SET TAILPIECE



M964297-0020A
STRAIGHT TAILPIECE



M952269-0020A
ESCUTCHEON KIT



HOT LINE FOR HELP
For toll-free information and answers to your questions, call:
1 (800) 442-1902
Weekdays 8:00 a.m. to 6:00 p.m. EST
IN MEXICO 01-800-839-1200
IN CANADA 1-800-387-0369 (TORONTO 1-905-306-1093)
Weekdays 8:00 a.m. to 7:00 p.m. EST

Product names listed herein are trademarks of AS America, Inc.
© AS America, Inc. 2013