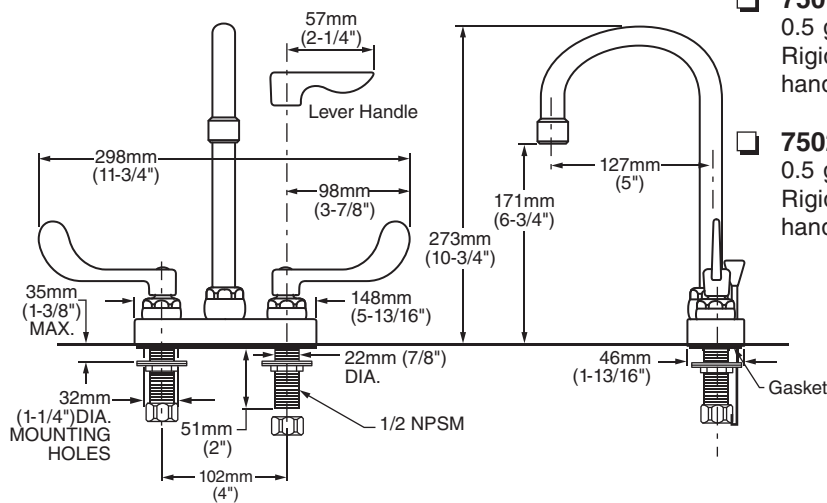




7501.175 Shown



GENERAL DESCRIPTION:

Durable cast brass construction. 1/2" male threaded inlet shanks with brass shank nuts and coupling nuts. 1/4 turn ceramic disc valve cartridges. Convertible swivel/rigid spout. Choice of Vandal-Resistant Wrist Blade or Lever handles with blue & red color indexes. All brass drain bodies with 1 1/4" (32mm) tailpieces (on applicable models). 0.5 gpm/1.9L/min. maximum flow rate.

MODEL NUMBER:*

- 7500.175 Centerset Lavatory**
0.5 gpm Pressure Compensating Vandal-Resistant Spray Rigid/swivel gooseneck spout. Vandal-Resistant Wrist Blade handles. Less drain and pop-up hole.
- 7501.175 Centerset Lavatory**
0.5 gpm Pressure Compensating Vandal-Resistant Spray Rigid/swivel gooseneck spout. Vandal-Resistant Wrist Blade handles. Pop-up drain.
- 7502.175 Centerset Lavatory**
0.5 gpm Pressure Compensating Vandal-Resistant Spray Rigid/swivel gooseneck spout. Vandal-Resistant Wrist Blade handles. Grid strainer drain.
- 7500.145 Centerset Lavatory**
0.5 gpm Pressure Compensating Vandal-Resistant Spray Rigid/swivel gooseneck spout. Vandal-Resistant Level handles. Less drain and pop-up hole.
- 7501.145 Centerset Lavatory**
0.5 gpm Pressure Compensating Vandal-Resistant Spray Rigid/swivel gooseneck spout. Vandal-Resistant Level handles. Pop-up drain.
- 7502.145 Centerset Lavatory**
0.5 gpm Pressure Compensating Vandal-Resistant Spray Rigid/swivel gooseneck spout. Vandal-Resistant Level handles. Grid strainer drain.

PRODUCT FEATURES:

- Pressure Compensating Spray:** Provides a constant water flow of 0.5 gpm throughout the pressure range
- Solid Brass Construction:** Durable - Excellent in high use applications. Ideal for prolonged contact with water.
- Ceramic Disc Valve Cartridge:** Assures a lifetime of drip-free performance.
- Field-Convertible Swivel/Rigid Spout:** Easily adjusted in the field.
- Lead Free:** Faucet contains ≤ 0.25% total lead content by weighted average.

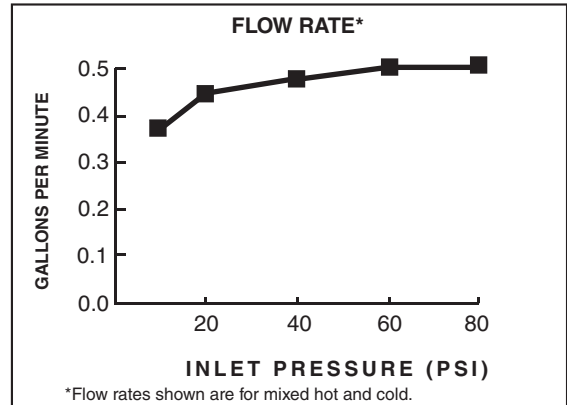
SUGGESTED SPECIFICATION:

4" centerset lavatory faucet shall be cast brass construction with all brass shank nuts and coupling nuts. Shall feature water-conserving vandal-resistant 0.5 gpm/1.9L/min. pressure compensating spray. Vandal-Resistant handles. Shall also feature 1/4 turn washerless ceramic disc valve cartridges. Fitting shall be American Standard Model # 750_1_5.002.

CODES AND STANDARDS

These products meet or exceed the following codes and standards:

- ANSI A117.1**
- ASME A112.18.1**
- CSA B 125**
- NSF 61/Section 9 and Annex G**



| Product Number | Description | Finish |
|----------------|--|-----------------|
| | | Polished Chrome |
| | | 002 |
| 7500.175 | Centerset Lavatory with rigid/swivel gooseneck spout. 0.5 gpm/1.9L/min pressure compensating vandal-resistant spray. Vandal-Resistant Wrist Blade Handles. Less drain and pop-up hole. | |
| 7501.175 | Centerset Lavatory with rigid/swivel gooseneck spout. 0.5 gpm/1.9L/min pressure compensating vandal-resistant spray. Vandal-Resistant Wrist Blade Handles. Pop-up drain. | |
| 7502.175 | Centerset Lavatory with rigid/swivel gooseneck spout. 0.5 gpm/1.9L/min pressure compensating vandal-resistant spray. Vandal-Resistant Wrist Blade Handles. Grid strainer drain. | |
| 7500.145 | Centerset Lavatory with rigid/swivel gooseneck spout. 0.5 gpm/1.9L/min pressure compensating vandal-resistant spray. Vandal-Resistant Lever Handles. Less drain and pop-up hole. | |
| 7501.145 | Centerset Lavatory with rigid/swivel gooseneck spout. 0.5 gpm/1.9L/min pressure compensating vandal-resistant spray. Vandal-Resistant Lever Handles. Pop-up drain. | |
| 7502.145 | Centerset Lavatory with rigid/swivel gooseneck spout. 0.5 gpm/1.9L/min pressure compensating vandal-resistant spray. Vandal-Resistant Lever Handles. Grid strainer drain. | |

 MEETS THE AMERICANS WITH DISABILITIES ACT GUIDELINES AND ANSI A117.1 REQUIREMENTS FOR ACCESSIBLE AND USABLE BUILDING FACILITIES-CHECK LOCAL CODES