

*American Standard*

MONTERREY™

**4" CENTERSET  
LAVATORY FAUCETS**

*Thank you for selecting American-Standard...  
the benchmark of fine quality for over 100 years.*

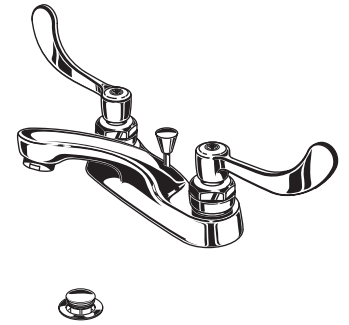
*To ensure that your installation proceeds smoothly—  
please read these instructions carefully before you begin.*

**Installation  
Instructions**

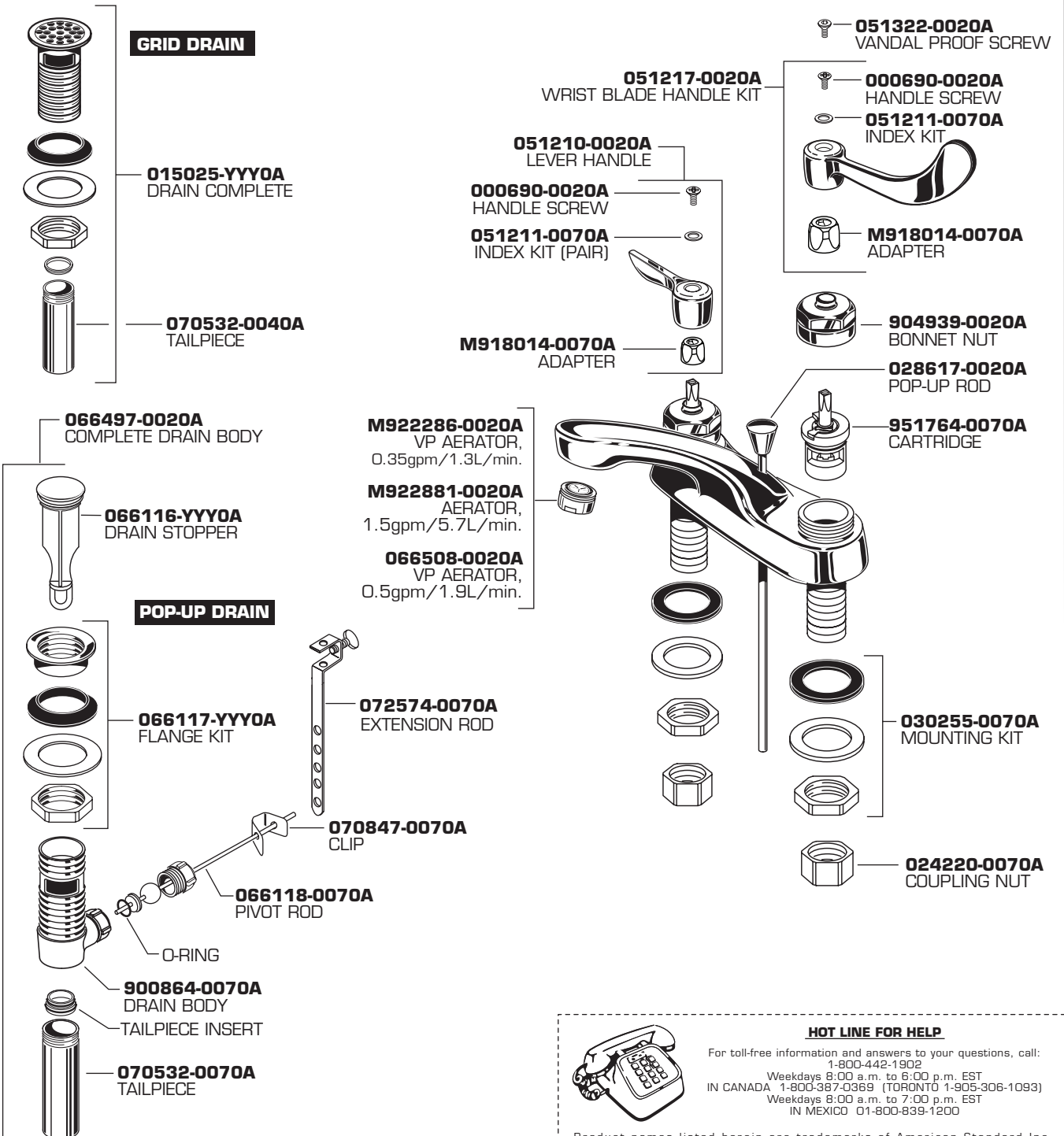
**5500**

**5501**

**5502**



Certified to comply with ANSI A112.18.1M  
US PATENT D375785  
60184 Rev. 1.4



**HOT LINE FOR HELP**

For toll-free information and answers to your questions, call:  
1-800-442-1902  
Weekdays 8:00 a.m. to 6:00 p.m. EST  
IN CANADA 1-800-387-0369 (TORONTO 1-905-306-1093)  
Weekdays 8:00 a.m. to 7:00 p.m. EST  
IN MEXICO 01-800-839-1200

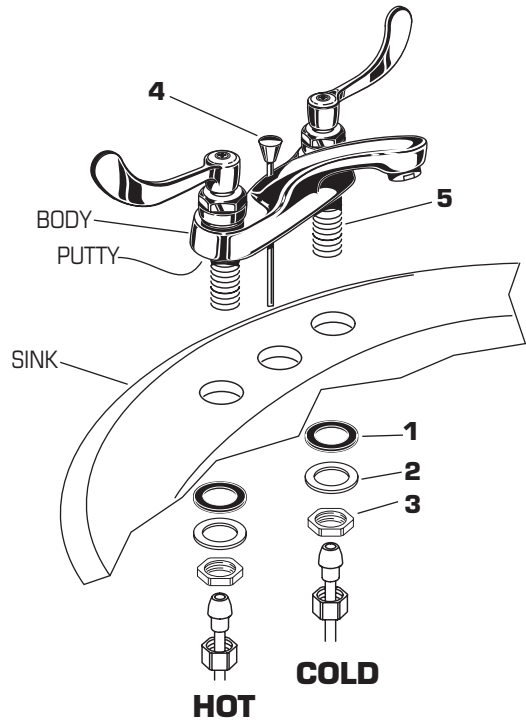
Product names listed herein are trademarks of American Standard Inc.  
© AS America, Inc. 2008 Printed in Mexico.

# 1

## CAUTION

Turn off water at main supply.

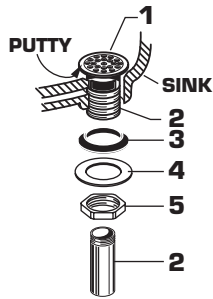
- Apply a bead of PUTTY along the edge of the underside of the body. Insert FAUCET SHANKS (5) through holes in sink.
- Assemble RUBBER (1) and BRASS WASHERS (2), and LOCKNUTS (3) from underside of SINK. Drop UPPER LIFT ROD (4) through hole in BODY (models 5501 only), align BODY as far forward as possible and secure position by tightening LOCKNUTS (3).
- Connect the HOT water supply to the left SHANK and the COLD water supply to the right SHANK using sealant, appropriate connectors, and COUPLING NUTS.



# 2

## GRID DRAIN ASSEMBLY (Model 5502 only)

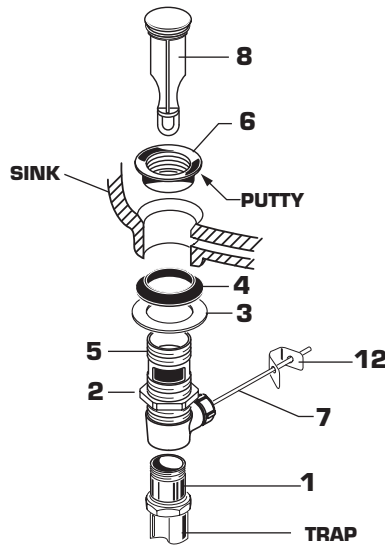
- Apply a bead of PUTTY around underside of DRAIN PLUG FLANGE (1). Insert DRAIN PLUG (2) into SINK drain hole.
- Hold DRAIN PLUG (2) to prevent turning and assemble GASKET (3), WASHER (4) and LOCKNUT (5) from underneath sink.
- Insert threaded end of TAILPIECE (6) into lower end of DRAIN PLUG (2). Connect other end to trap.



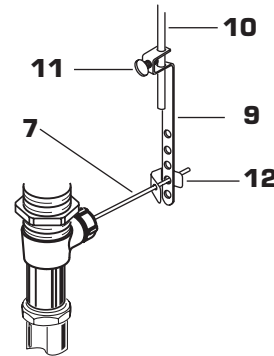
# 3

## INSTALL POP-UP DRAIN (Model 7501 only)

- Push TAILPIECE (1) down into TRAP (threaded end up).
- Thread LOCKNUT (2), WASHER (3) and GASKET (4) onto DRAIN BODY (5).
- Apply a bead of PUTTY to underside of FLANGE (6).
- Feed DRAIN BODY (5) up through SINK and thread FLANGE (6) fully onto BODY (5).
- Tighten LOCKNUT (2) firmly, keeping the PIVOT ROD (7) pointed towards the back of the SINK.
- Drop STOPPER (8) into DRAIN BODY (5).
- Pull TAILPIECE (1) up and thread tightly into DRAIN BODY (5).
- Position EXTENSION ROD (9) onto POP-UP ROD (10) and tighten THUMBSCREW (11).



- Remove one end of CLIP (12) from PIVOT ROD (7) by squeezing ends together while sliding.
- Insert PIVOT ROD (7) into second or third hole in EXTENSION (9) and reassemble CLIP (12). (EXTENSION may need to be bent.)
- Adjust STOPPER (8) height by repositioning EXTENSION and tightening THUMBSCREW (12).



# 4

## TEST INSTALLED FAUCET

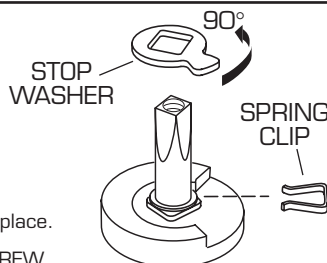
- Remove AERATOR.
- With handle in OFF position, turn on water supplies and check all connections for leaks.

- Operate both handles to flush water lines thoroughly. Check spout mounting and hose connections for leaks.
- Operate LIFT ROD and check DRAIN for leaks.
- Turn handles into OFF position and replace AERATOR.

# 5

## SERVICE

- To change direction of handle rotation, proceed as follows:
  - Turn valve to OFF position.
  - Remove HANDLE and BONNET NUT.
  - Remove SPRING CLIP.
  - Lift STOP WASHER, turn 90° and replace.
  - Replace SPRING CLIP.
  - Replace BONNET NUT, HANDLE, SCREW, and INDEX.
- AERATOR may accumulate dirt causing distorted and reduced water flow. Remove AERATOR and rinse clean.



- If spout drips, operate handles several times from OFF to ON position. Do not force - handles turn only 90°.

- Plastic SCREEN in CARTRIDGE may accumulate dirt causing reduced water flow. To clean, first turn off hot and cold water supplies, then:
  - Remove HANDLE and BONNET NUT.
  - Remove CARTRIDGE by pulling up.
  - Thoroughly rinse plastic SCREEN at base of CARTRIDGE.
- Replace CARTRIDGE until flange is tight against valve body.
- Turn valves OFF.
- Replace BONNET NUT, HANDLE, SCREW and INDEX.

