

## Specification Section:

Job Name:

Job Location:

Engineer:

Approval:

Date:

## System # (if applicable):

Contractor:

Appliance MFG:

Model #: QTY:

Appliance Type:

Adapter (if req):

## Standard Compliance

Tested and listed By **InterTek:**

- UL-1738
- ULC-S636
- Category II, III – up to 230°, and IV Gas Vent BH
- Class II C Gas Vent BH

## Warranty

10 Year against defects in material & workmanship from date of installation.

## Pipe Diameter(s)

2"  3"  4"  6"  8"  10"  12"

## System Layout Style

- Vertical through roof
- Horizontal through side-wall
- Combination vertical/horizontal through roof
- Combination vertical/horizontal through side-wall
- Air Intake in InnoFlue Vent Material

**Rev:**

**Date:**

**Drawing #:**

## Specifications

- Maximum flue gas temperatures of 230°F (110°C) per UL1738 & ULC-S636
- Maximum vent pressure of 20" of water column
- Manufactured from flame resistant polypropylene
- Grey and Black - UV Rated to ASTM G23-81
- Zero clearance to combustibles
- Low temperature impact resistant (Tested at -4°F)
- Gasketed push/fit connection system
- Working temperature: 32°F - 230°F

Diameter	Wall Thickness		Max Vent Length*
	Minimum	Maximum	
2"	0.07"	0.08"	10'
3"	0.07"	0.09"	10'
4"	0.11"	0.12"	10'
6"	0.11"	0.14"	10'
8"	0.14"	0.16"	10'
10"	0.14"	0.16"	6'
12"	0.20"	0.23"	6'

Consult appliance install guide if not listed in appliance MFG instructions.

\* Effective length.

Elbow equivalent lengths: deduct 3' for each 45° elbow, 5' for each 87° long radius elbow, and 8' for each 87° short radius elbow



# Vertical Components

## Bird Screen(s)

- 2" - IASPP02
- 3" - IASPP03
- 4" - IASPP04
- 6" - IASPP06
- 8" - IASSS08
- 10" - IASSS10
- 12" - IASSS12



## Base Support

- 2" - ISBS0287
- 3" - ISBS0387
- 4" - ISBS0487
- 6" - ISBS0687
- 8" - ISBS0887
- 10" - ISBS1087
- 12" - ISBS1287



## End Pipe

- 2" - ISEP0239
- 3" - ISEP0339
- 4" - ISEP0439
- 6" - ISEP0639
- 8" - ISEP0839
- 10" - ISEP1039
- 12" - ISEP1239



## Support Brackets

- 2" - IASCM02
- 3" - IASCM03
- 4" - IASCM04
- 6" - IASCM06
- 8" - IASCM08
- 10" - IASCM10
- 12" - IASCM12



Vertical:  
every 78"  
Horizontal:  
every 39"

## Termination Tee

- 2" - ISTT0220
- 3" - ISTT0320
- 4" - ISTT0420
- 6" - ISTT0620
- 8" - ISTT0820
- 10" - ISTT1020
- 12" - ISTT1220



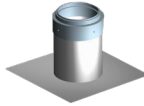
## Monitoring Test Port

- 2" - ISTEP02
- 3" - ISTEP03
- 4" - ISTEP04
- 6" - ISTEP06
- 8" - ISTEP08
- 10" - ISTEP10
- 12" - ISTEP12



## Flat Roof Flashing

- 2" - IAFRF02
- 3" - IAFRF03
- 4" - IAFRF04
- 6" - IAFRF06
- 8" - IAFRF08
- 10" - IAFRF10
- 12" - IAFRF12



## Lubricant

- IACE50

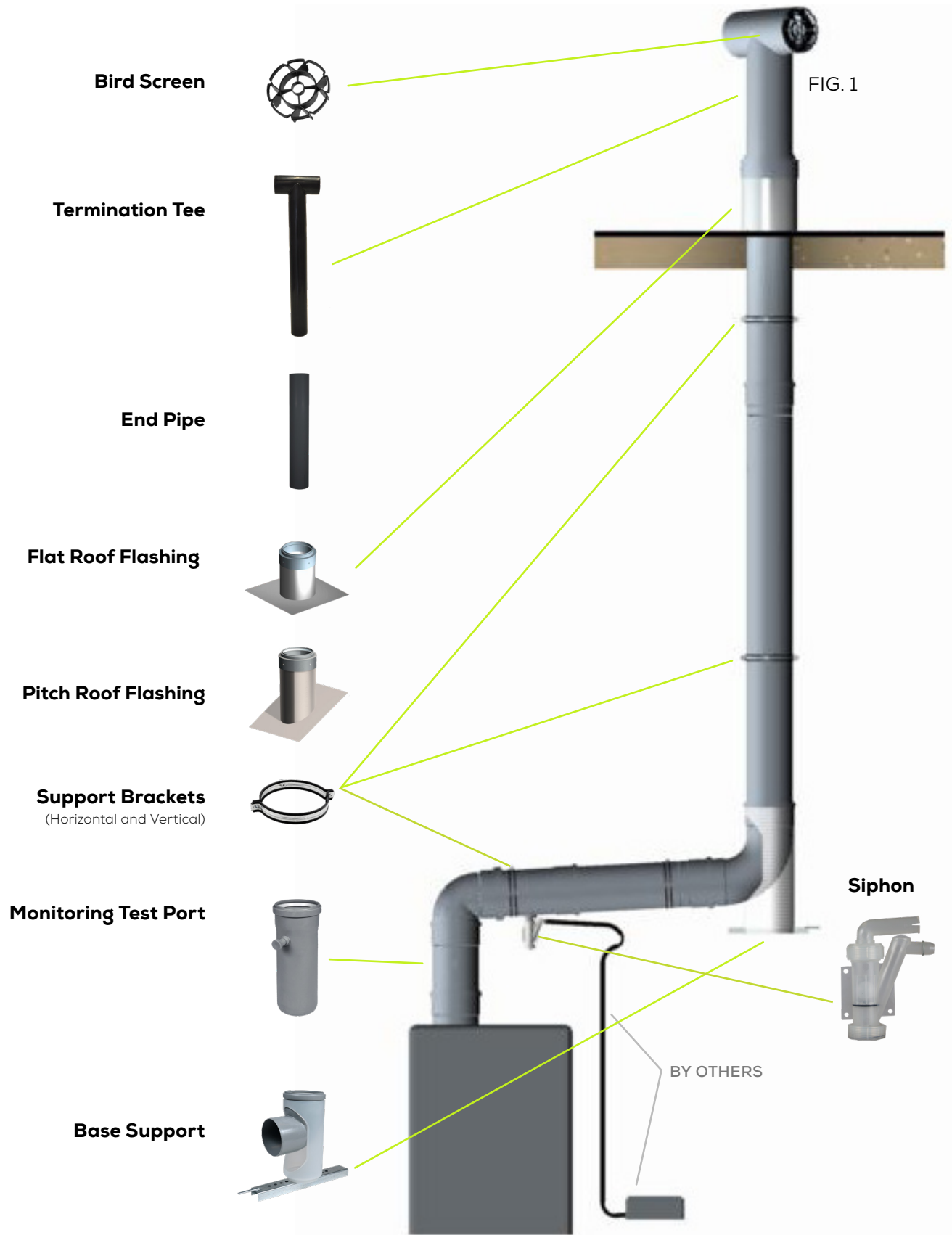


## Pitched Roof Flashing

- 2" - IAPRF02
- 3" - IAPRF03
- 4" - IAPRF04
- 6" - IAPRF06
- 8" - IAPRF08
- 10" - IAPRF10
- 12" - IAPRF12



# Typical Vertical Installation



# Horizontal Components

## Bird Screen(s)

- 2" - IASPP02
- 3" - IASPP03
- 4" - IASPP04
- 6" - IASPP06
- 8" - IASSS08
- 10" - IASSS10
- 12" - IASSS12



## Wall Terminations

- 2" - ISLPT0202
- 3" - ISLPT0303
- 4" - ISLPT0404



## Termination Tee

- 2" - ISTT0220
- 3" - ISTT0320
- 4" - ISTT0420
- 6" - ISTT0620
- 8" - ISTT0820
- 10" - ISTT1020
- 12" - ISTT1220



## Support Brackets

- 2" - IASCM02
- 3" - IASCM03
- 4" - IASCM04
- 6" - IASCM06
- 8" - IASCM08
- 10" - IASCM10
- 12" - IASCM12



Vertical:  
every 78"  
Horizontal:  
every 39"

## End Pipe

- 3" - ISEP0239
- 3" - ISEP0339
- 4" - ISEP0439
- 6" - ISEP0639
- 8" - ISEP0839
- 10" - ISEP1039
- 12" - ISEP1239



## Connector Rings

- 2" - IANS02
- 3" - IANS03
- 4" - IANS04
- 6" - IANS06
- 8" - IANS08
- 10" - IANS10
- 12" - IANS12



## EPDM Gaskets

- 2" - ISGE02
- 3" - ISGE03
- 4" - ISGE04
- 6" - ISGE06
- 8" - ISGE08
- 10" - ISGE10
- 12" - ISGE12



## Wall Plate

- 2" - IAWP02BP
- 3" - IAWP03BP
- 4" - IAWP04BP
- 6" - IAWP06BP
- 8" - IAWPP08
- 10" - IAWPP10
- 12" - IAWPP12



## Lubricant

- IACE50



FIG. 2

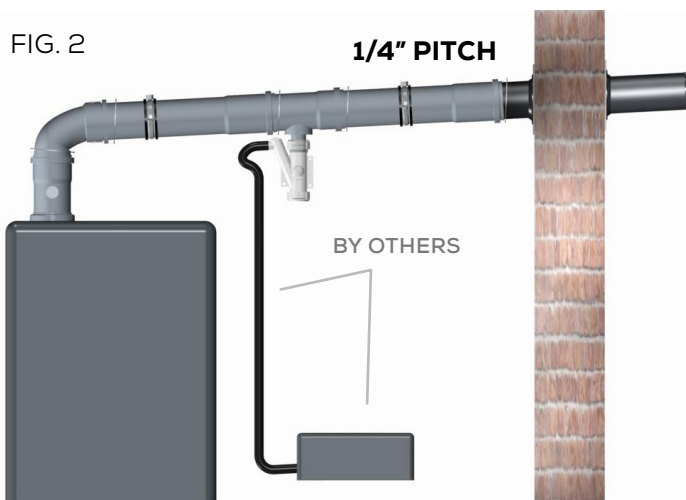
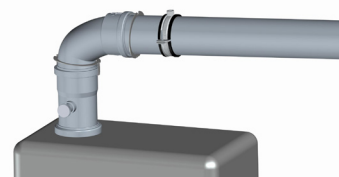


FIG. 3



# Condensate Management Components

## Tee

- |                                     |                                      |
|-------------------------------------|--------------------------------------|
| <input type="checkbox"/> 2" - IST02 | <input type="checkbox"/> 6" - IST06  |
| <input type="checkbox"/> 3" - IST03 | <input type="checkbox"/> 8" - IST08  |
| <input type="checkbox"/> 4" - IST04 | <input type="checkbox"/> 10" - IST10 |
|                                     | <input type="checkbox"/> 12" - IST12 |

## Tee Cap (w/ drain)

- |                                       |  |
|---------------------------------------|--|
| <input type="checkbox"/> 2" - ISTCD02 | <input type="checkbox"/> 6" - ISTCD06  |
| <input type="checkbox"/> 3" - ISTCD03 | <input type="checkbox"/> 8" - ISTCD08  |
| <input type="checkbox"/> 4" - ISTCD04 | <input type="checkbox"/> 10" - ISTCD10 |
|                                       | <input type="checkbox"/> 12" - ISTCD12 |

## Siphon

- IASJVBS

## Horizontal Drain Fitting

- |                                       |  |
|---------------------------------------|--|
| <input type="checkbox"/> 2" - ISHDF02 | <input type="checkbox"/> 6" - ISHDF06  |
| <input type="checkbox"/> 3" - ISHDF03 | <input type="checkbox"/> 8" - ISHDF08  |
| <input type="checkbox"/> 4" - ISHDF04 | <input type="checkbox"/> 10" - ISHDF10 |
|                                       | <input type="checkbox"/> 12" - ISHDF12 |

## Horizontal Drain Tee

- |                                       |  |
|---------------------------------------|--|
| <input type="checkbox"/> 2" - ISHDT02 | <input type="checkbox"/> 6" - ISHDT06  |
| <input type="checkbox"/> 3" - ISHDT03 | <input type="checkbox"/> 8" - ISHDT08  |
| <input type="checkbox"/> 4" - ISHDT04 | <input type="checkbox"/> 10" - ISHDT10 |
|                                       | <input type="checkbox"/> 12" - ISHDT12 |

## Base Support Tee

- |  |   |
|--|---|
| <input type="checkbox"/> 2" - ISBS0287 | <input type="checkbox"/> 6" - ISBS0687  |
| <input type="checkbox"/> 3" - ISBS0387 | <input type="checkbox"/> 8" - ISBS0887  |
| <input type="checkbox"/> 4" - ISBS0487 | <input type="checkbox"/> 10" - ISBS1087 |
|  | <input type="checkbox"/> 12" - ISBS1287 |

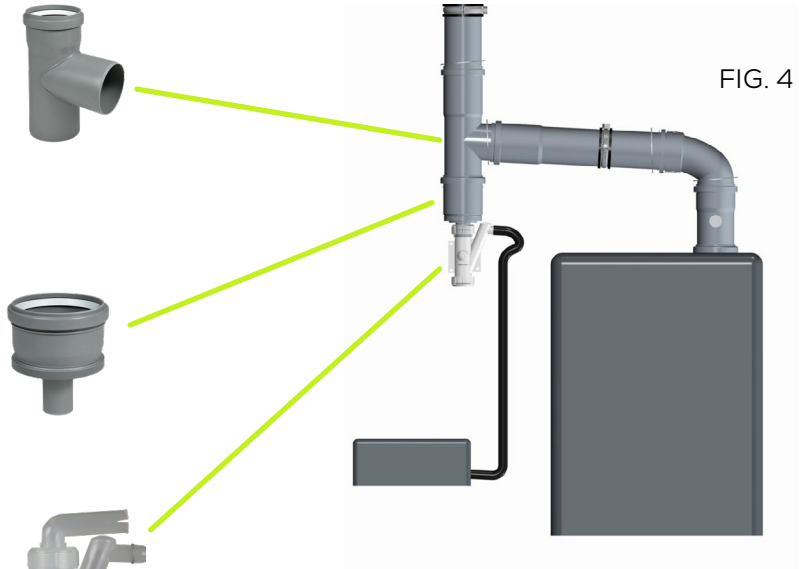


FIG. 4

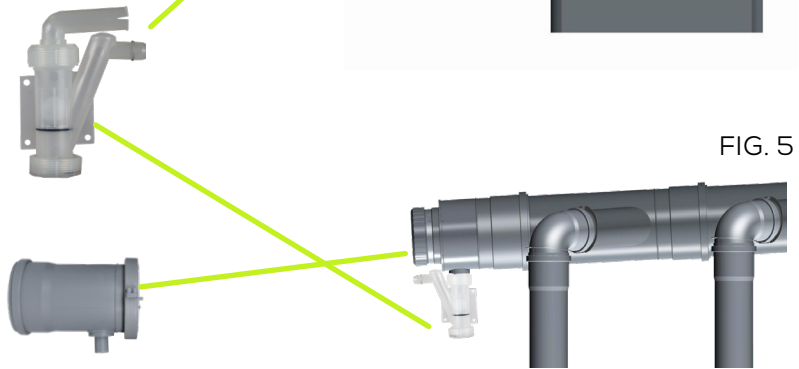


FIG. 5

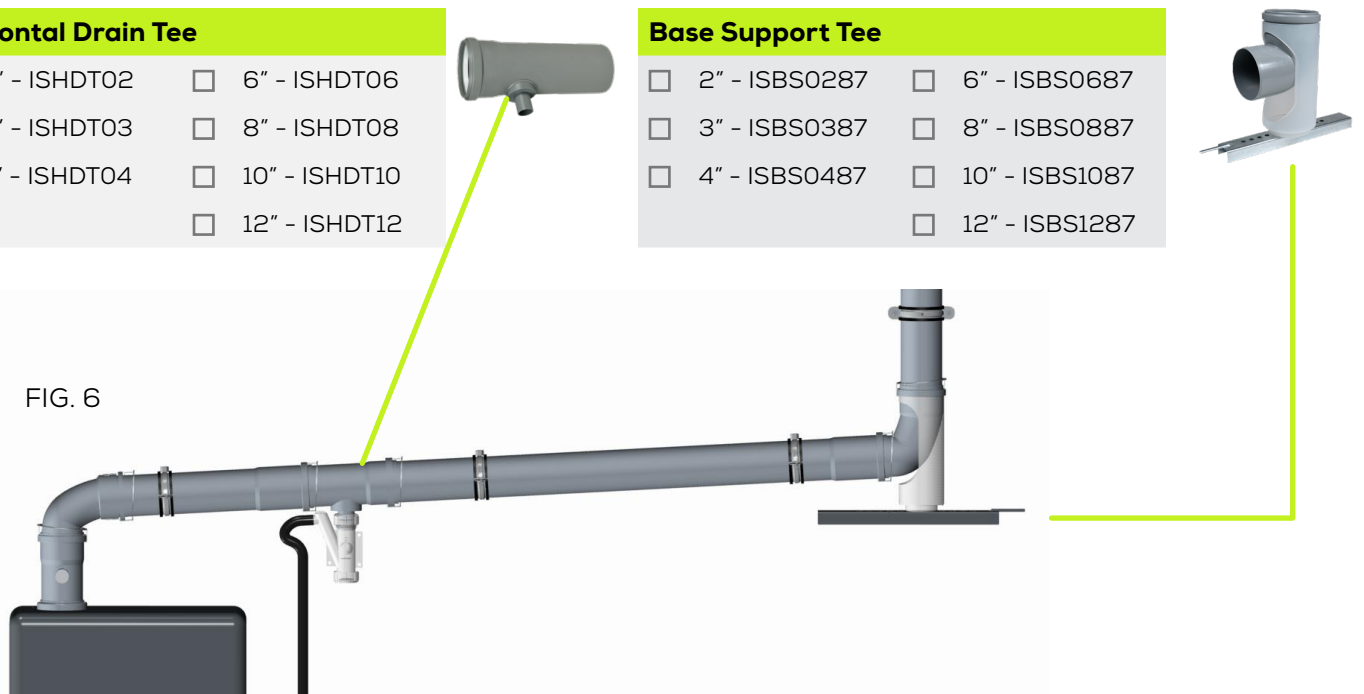


FIG. 6



# Installation Notes

- Installation through a masonry or b-vent chimney is acceptable to Centrotherm. **SEE FIG. 2**
- Do not install InnoFlue where ambient air temperature can exceed 300°F (148°C)
- InnoFlue can be installed at zero clearance to combustibles
- Masonry chimneys or existing b-vents can be used as passage ways for InnoFlue provided that no other appliances are or will be connected.
- Appliances can be fired up immediately after an InnoFlue system is installed and inspected
- Contractor to read and understand manufacturer's installation manual
- Vent pitch of ¼"/ft back to appliance (2", 3", 4")
- Vent pitch of ⅝"/ft back to appliance (6" - 12")
- Male ends must point back and pitch towards appliance

## Pipe Supports

- Install at all changes of direction and no more than 39" apart on horizontal runs and no more than 78" apart on vertical runs

## Neutralization

- Locate fittings as close to appliance as possible. Centrotherm condensate management fittings recommended even on appliances that can handle condensate. Highly recommended on horizontal exhaust runs beyond 50'

## Connector Rings

- Required on all 2", 3", and 4" fittings to meet UL1738 and ULCS636. Recommended for all diameters

## Vent Terminations

(Verify with local code authority)

- Flat roof recommended termination height 3' above roof line
- Pitched roof recommended terminations height is 3' above roof line minimum and a minimum of 2' higher than highest portion of building within a 10ft horizontal radius
- If termination is greater than 59" beyond roof line, it must be supported. **SEE FIG. 1**

## Fire Stopping

- InnoFlue single wall can be used in areas requiring 1 or 2 hour fire rating per ASTM E-814, UL1479, or ULCS115 when used with a passive fire protection system. Visit Centrotherm's website for full fire-stop information and suggested fire-wraps. **SEE FIG. 2**
- All penetrations of fire-rated walls/ceilings shall be sealed using fire stops that are approved

## Plenum Spaces

- To meet flame spread and developed smoke requirements of UL723, ASTM E-84, and ULCS102, piping must be wrapped. See InnoFlue Installation Guide Pg 11-13

