

INSTALLATION INSTRUCTIONS



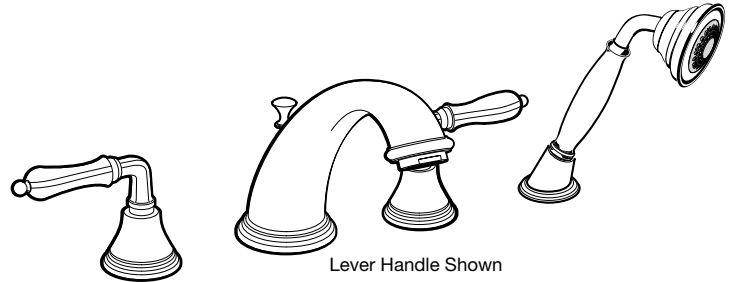
AMERICAN STANDARD

Ashbee™ Deck Mount Tub Filler with Hand Shower

Cross Handle
Model D35101.940

Lever Handle
Model D35101.900

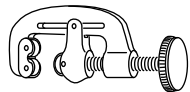
Thank you for selecting DXV by American Standard. To ensure that your installation proceeds smoothly, please read these instructions carefully before you begin.



Lever Handle Shown

RECOMMENDED TOOLS AND MATERIALS

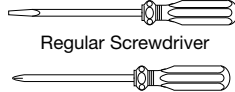
Most of the procedures require the use of common tools and materials, which are available from hardware and plumbing, supply stores. It is essential that the tools and materials be on hand before work is begun.



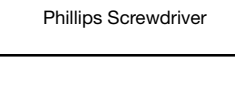
Tubing Cutter



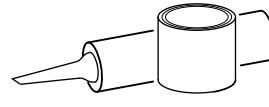
Channel Locks



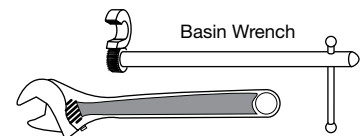
Regular Screwdriver



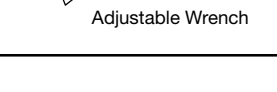
Phillips Screwdriver



Plumbers' Putty or Caulking



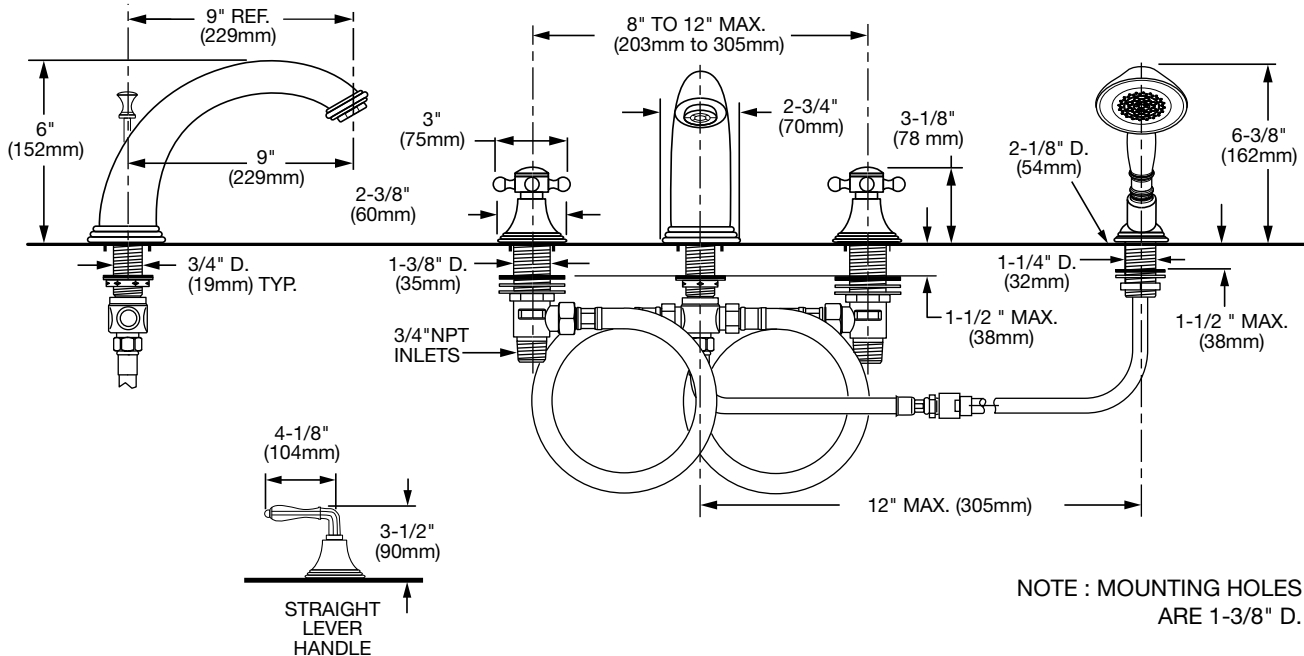
Basin Wrench



Adjustable Wrench

ROUGHING-IN DIMENSIONS:

- For reference



NOTE : MOUNTING HOLES ARE 1-3/8" D.

In the United States:

DXV by American Standard
One Centennial Avenue
Piscataway, New Jersey 08855
Attention: Director of Customer Care

For residents of the United States, warranty information may also be obtained by calling the following toll free number: (800) 227-2734
www.DXV.com

In Canada:

DXV by American Standard
5900 Avebury Road
Mississauga, Ontario
L5R 3M3
Canada

Toll Free: 1-800-387-0369
Local: 905-306-1093
Fax: 1-800-395-1498
www.DXV.ca

In Mexico:

DXV by American Standard
Via Morelos 330
Col. Santa Clara Coatitla
Ecatepec, Estado de México 55540

Toll Free: 01-800-8391200
www.DXV.mx

SAVE FOR FUTURE USE

1 SPOUT ASSEMBLY

CAUTION

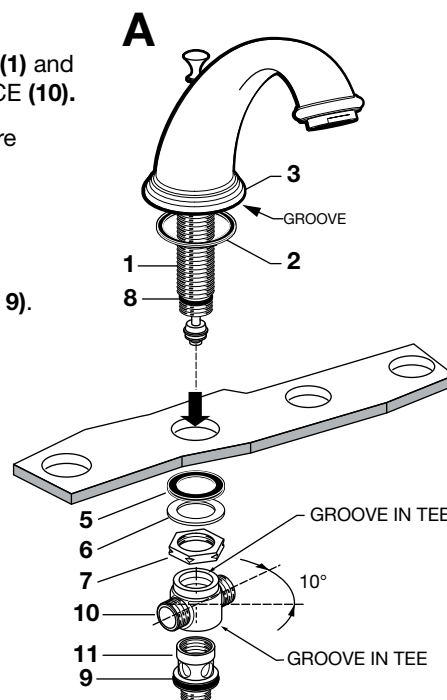
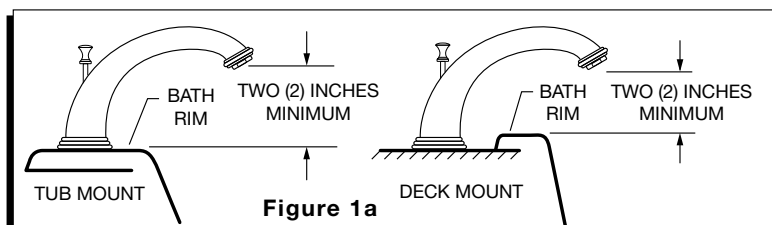
Turn off hot and cold water supplies before beginning.

IMPORTANT NOTICE TO THE INSTALLER!

Please check with your local Code Authority for acceptable installation requirements for this Roman Tub set with hand shower. Some local codes may require a vacuum breaker and/or a pressure balanced mixing valve to be installed in conjunction with this product.

Note: All deck mounted Roman tub sets must be installed with the tub spout outlet at least two (2) inches above the flood level rim of the tub. See Figure 1a.

- T-PIECE (10) and COUPLING NUT (11) are factory pre-installed on SPOUT SHANK (1) and must be removed to install spout. Unthread COUPLING NUT (11) and pull off T-PIECE (10).
- Insert SPOUT SHANK (1) through center hole of sink or mounting surface. Make sure RUBBER WASHER (2) is properly seated into the groove of SPOUT ESCUTCHEON BASE (3) for models A and B. Model C uses a O-RING (4) that is seated in a groove of SPOUT ESCUTCHEON BASE (12).
- Assemble RUBBER WASHER (5), FIBER WASHER (6) and LOCKNUT (7) onto threads of SPOUT SHANK (1). Align spout and tighten firmly. Grease O-RINGS (8 & 9).
- Slide the T-PIECE (10) onto SPOUT SHANK (1) until it makes contact with the O-RING (8). Thread COUPLING NUT (11) onto SPOUT SHANK (1). Rotate T-PIECE (10) about 10 degrees from center and tighten securely. Make sure both O-Rings (8 & 9) are seated into grooves of T-PIECE (10).



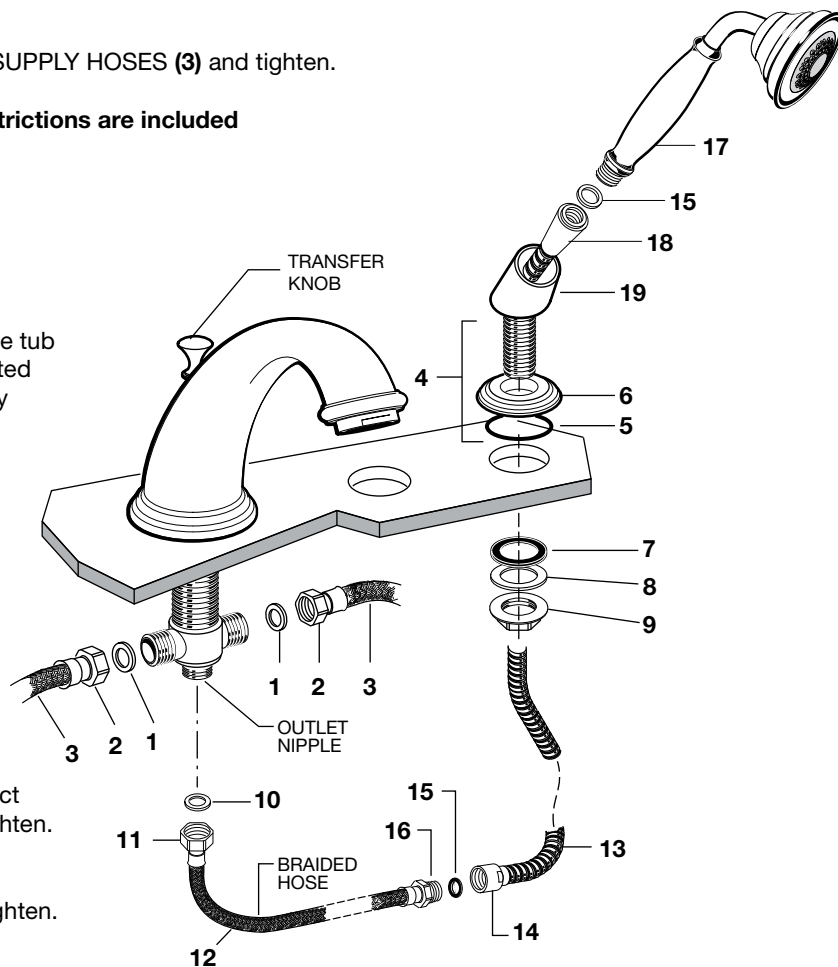
2 HOSE ASSEMBLY

- Insert WASHERS (1) into COUPLING NUTS (2) of SUPPLY HOSES (3) and tighten.

Note: Back flow prevention and 2.5 GPM flow restrictions are included with all Roman tub sets with hand shower

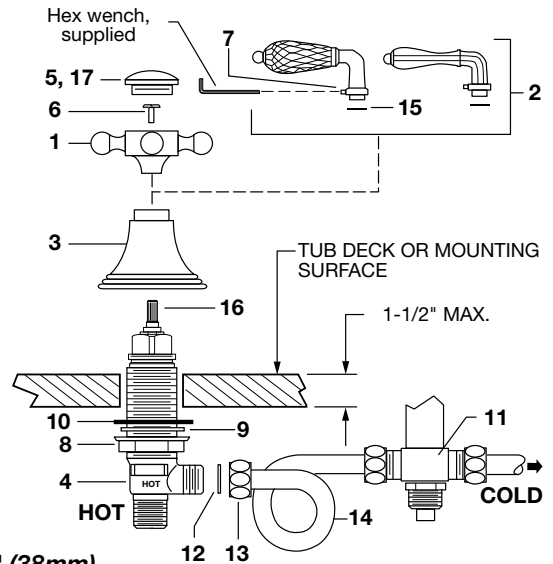
2a HAND SHOWER ASSEMBLY

- Drop SPRAY HOLDER (4) into the fourth hole of the tub ledge or deck (12" max from SPOUT center) directed towards tub center. Be sure O-RING (5) is properly seated in ESCUTCHEON (6). Install RUBBER WASHER (7), FIBER WASHER (8) and LOCKNUT (9) from underside of mounting ledge. Secure SPRAY HOLDER (4) by tightening LOCKNUT (9).
- Add SEAL WASHER (10) and connect COUPLING NUT (11) of BRAIDED HOSE (12) to outlet nipple. Tighten firmly.
- Slip SHOWER HOSE (13) with COUPLING NUT (14) through SPRAY HOLDER (4) and ESCUTCHEON (6).
- Install SEAL (15) into COUPLING NUT (14). Connect COUPLING NUT (15) to HOSE NIPPLE (16) and tighten.
- INSTALL second SEAL (15) and connect HAND SHOWER (17) to SPRAY HOSE END (18). Hand tighten.



3 INSTALL VALVE BODIES

- HANDLES (1 & 2) and HANDLE BASE (3) are installed on VALVE BODIES (4) and must be removed to install VALVE BODIES (4) from under tub deck or mounting surface.
- To remove CROSS HANDLE (1); Pull out INDEX CAP (5, 17) and remove HANDLE SCREW (6). Pull off CROSS HANDLE (1) and unthread HANDLE BASE (3).
- To remove LEVER HANDLES (2); loosen SET SCREW (7) with Hex Wrench provided with faucet. Pull LEVER HANDLE (2) off and unthread HANDLE BASE (3).
- Thread LOCKNUT (8) to bottom of VALVE BODY (4). Make sure FIBER WASHER (9) and RUBBER WASHER (10) are installed. Insert VALVE BODY (4) through mounting hole from underside of tub deck or mounting surface.
Note: VALVE BODY marked with Red Dot is installed in the left Mtg. hole, VALVE BODY marked with Blue Dot in the right Mtg. hole when facing front of fitting. Maximum mounting surface thickness is 1-1/2" (38mm).



- Thread HANDLE BASE (3) until snug against internal stop. Set VALVE BODIES (4) so that their outlets are facing toward SPOUT TEE (11) and then tighten LOCKNUT (8) using 35mm or adjustable wrench.
- Insert WASHERS (12) into COUPLING NUTS (13) of SUPPLY HOSES (14) and tighten making water tight connection.
Important: Loop SUPPLY HOSES (14) as illustrated so they do not kink.

INSTALL HANDLES

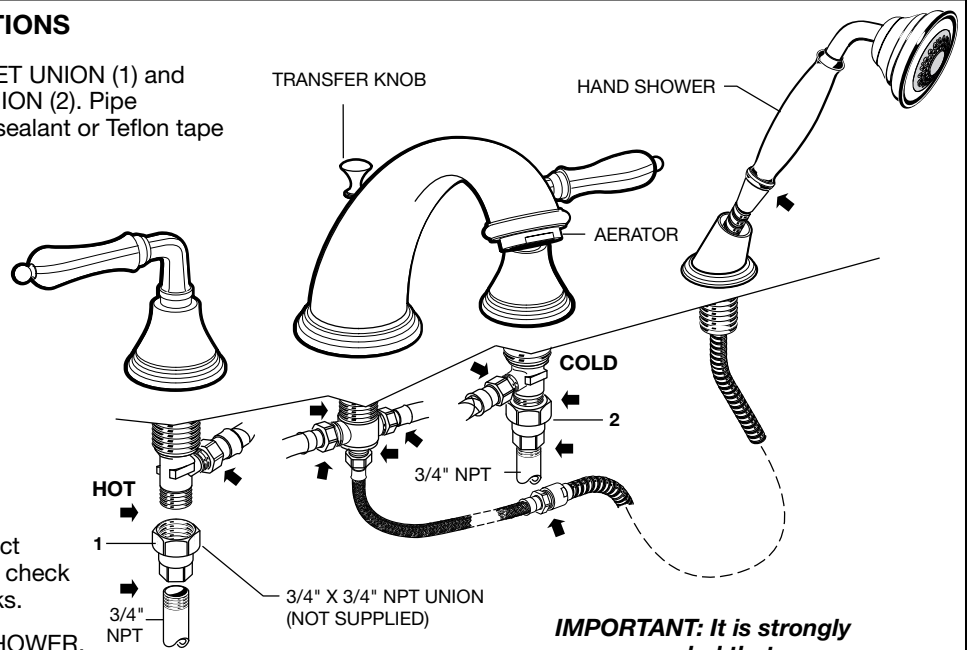
- **For Lever Handles:** Install FRICTION WASHER (15) onto base of LEVER HANDLE (2). With VALVE in off position align LEVER HANDLE (2) as shown. Install LEVER HANDLE (2) onto VALVE STEM (16) and tighten SET SCREW (7) with HEX WRENCH supplied.
- **For Cross handles:** With VALVE in off position align CROSS HANDLE (1) as shown. Install CROSS HANDLE (1) onto VALVE STEM (16) and tighten HANDLE SCREW (6). Insert HOT INDEX (5) into left CROSS HANDLE and COLD INDEX (17) into right CROSS HANDLE.

4 MAKE WATER SUPPLY CONNECTIONS

- Connect HOT water supply to LEFT INLET UNION (1) and COLD water supply to RIGHT INLET UNION (2). Pipe connections are 3/4" (19mm) NPT. Use sealant or Teflon tape on pipe connections.
Do not solder directly to valve body.

4a TEST INSTALLED FAUCET

- Remove AERATOR from FAUCET.
- With HANDLES in OFF position, turn on WATER SUPPLIES and check all connections for leaks.
- Operate both HANDLES to flush water lines thoroughly.
- Replace AERATOR.
- Lift HAND SHOWER from HOLDER, direct spray into tub. Lift TRANSFER KNOB to check HAND SHOWER and HOSES for leaks.
- Turn handles "off" and replace HAND SHOWER.



IMPORTANT: It is strongly recommended that access be provided for all enclosed mechanical parts to this system.

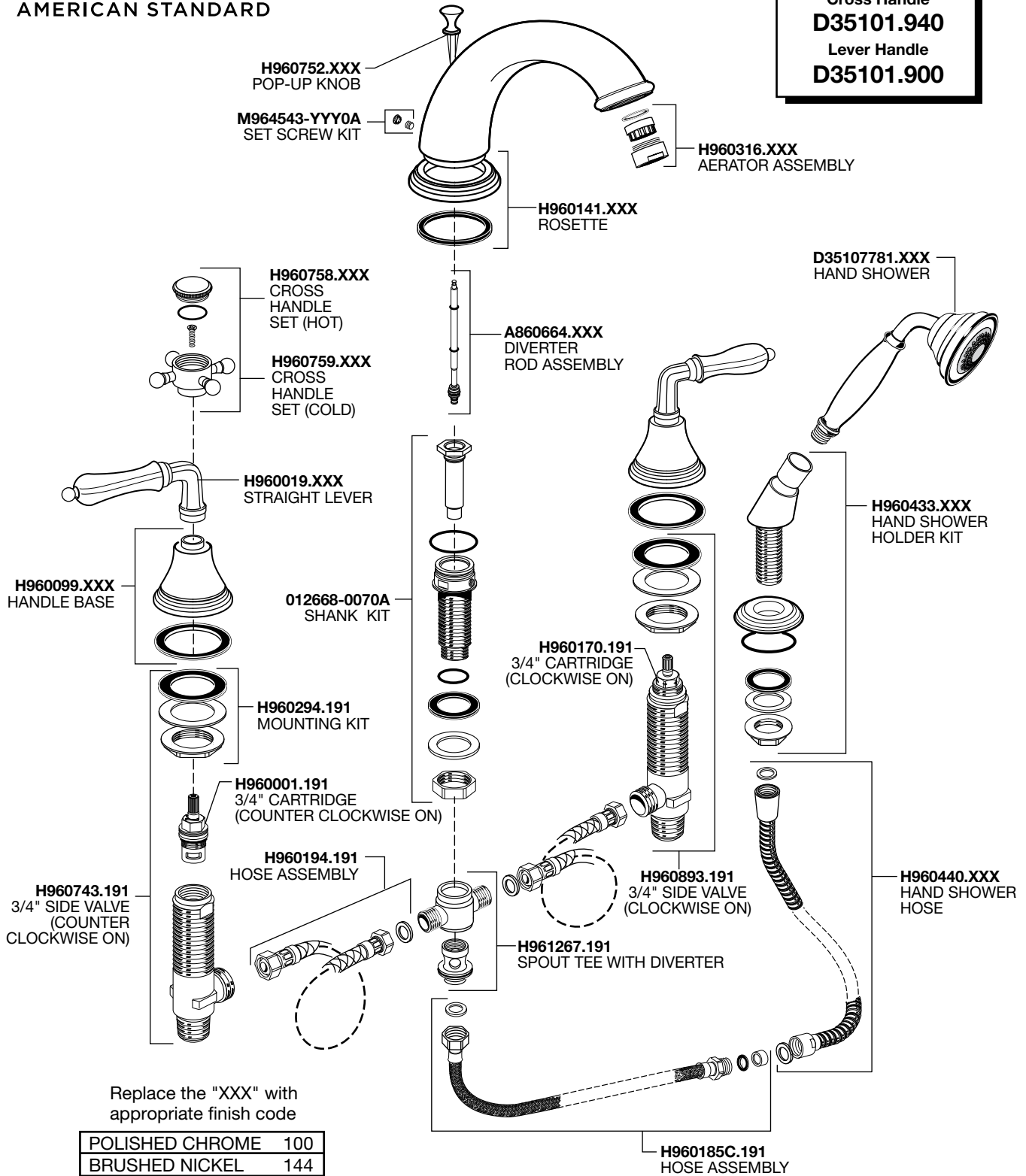


AMERICAN STANDARD

Ashbee™ Deck Mount Tub Filler with Hand Shower

MODEL NUMBERS

Cross Handle
D35101.940
Lever Handle
D35101.900



Replace the "XXX" with appropriate finish code

POLISHED CHROME	100
BRUSHED NICKEL	144
PLATINUM NICKEL	150