

ASTM F1960 PEX BRASS FITTING SYSTEM

6_WG SERIES

Grip™

SPECIFICATION

Sioux Chief ASTM F1960 Grip™ brass PEX fitting system shall be used in hot and cold water distribution systems. Fittings are approved for use with ASTM F876 PEX tubing with cold-expansion rings. Please contact Sioux Chief representative for specific product information within the Sioux Chief ASTM F1960 product offering.

MATERIALS

No-Lead Brass*

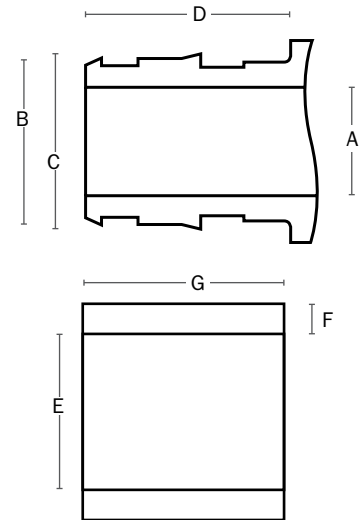
INSTALLATION NOTES

Full installation instructions can be found at www.siouxchief.com. ASTM F1960 connections with PowerPEX® type B tubing must be made with a self-rotating, power expansion tool. ASTM F1960 connections made in temperatures below 35 °F with either Sioux Chief PowerPEX® type A or type B tubing should be conditioned per Sioux Chief installation instructions to allow the tube and ring to annularly constrict around the sealing barb of the fitting thereby achieving an air-tight pressure seal. Pressure test all joints before use.

DIMENSIONS per ASTM F1960

	1/2"	3/4"	1"
A: Ftg Inside diameter	0.378" min	0.595" min	0.795" min
B: Ftg Upper barb diameter	0.618" min	0.874" min	1.110" min
	0.610" max	0.866" max	1.102" max
C: Ftg Lower barb diameter	0.579" min	0.795" min	1.032" min
	0.571" max	0.787" max	1.024" max
D: Fitting end length	0.689" min	0.925" min	1.161" min
	0.729" max	0.965" max	1.201" max
E: Ring inside diameter	0.633"	0.882"	1.134"
	+/- 0.003	+/- 0.004	+/- 0.004
F: Ring wall thickness	0.123"	0.123"	0.143"
	+/- 0.005	+/- 0.005	+/- 0.006
G: Ring overall height	0.630"	0.866"	1.102"
	+/- 0.020	+/- 0.020	+/- 0.030

ITEM # SUBMITTED _____
JOB NAME _____
LOCATION _____
ENGINEER _____
CONTRACTOR _____
PO# _____ TAG _____



* Material is C69300 dezincification and SCC resistant, and is compliant with NSF-61 Annex G and California No Lead Plumbing Law



Item Number Series

- | | |
|--|---------------------------------------|
| 632WG_ = Brass MIP Elbow Adapters | 644WG_ = Brass FSWT Adapters |
| 640WG_ = Brass Plugs | 645WG_ = Brass Couplings |
| 641WG_ = Brass Tees | 646WG_ = Brass MIP Adapters |
| 642WG_ = Brass Elbows | 647WG_ = Brass FIP Adapters |
| 643WG_ = Brass MSWT Adapters | 672WG_ = Brass Multi-port Tees |