



best[®]

Range Hoods

SORPRESA 10



DOWNDRAFT 44



48 BUILT-IN



32 PRO-STYLE





CHIMNEY

20



ISLAND

14



OUTDOOR

38

10 SORPRESA COLLECTION

- 11 VERTIGO DOUBLE/IM32
- 12 SECRET/IC35
- 13 SPHERA/IM42

14 ISLAND

- 15 GORGONA/IPB9
- 16 COLONNE ISLAND/IPP9
- 17 ECLISSE ISLAND/IC34
- 18 BEST ISPIRA/ICB3
- 19 PULITO ISLAND IBF4I

20 CHIMNEY

- 21 COLONNE/WPP9
- 22 FORTE/WTT32
- 23 TROVARE™/WCP3
- 24 AMIATA/K3139
- 25 VISTA/K34
- 26 GORGONA/WPB9
- 27 DUNE/WC35
- 28 ECLISSE/WC34
- 29 HARMONIA/WC45
- 30 PULITO/WBF4I
- 31 BEST ISPIRA/WCB3

32 PRO-STYLE

- 33 CENTRO/WP29
- 34 CENTRO POCO/UP27
- 35 CLASSICO/WP28
- 36 CLASSICO POCO/UP26

38 OUTDOOR

- 39 EMPEROR/WPD39M
- 40 MONARCH/WPD38I
- 41 FUORI-PERIPHERY™ WTD9M
- 42 FUORI-BUCOLIC™ CPD9M
- 43 PROPRIO/CPD

44 DOWNDRAFT

- 45-47 CATTURA/D49M

48 BUILT-IN

- 48 SLOT/DC54
- 49 BEST ISPIRA/UCB3
- 50 CIRRUS GRANDE/CC34-63"
- 51 CIRRUS/CC34-43"
- 52 VELATO/P195P
- 53 SOPRA/P195ES
- 54 CELATO/PK22
- 55 MANTO/PIK
- 56 POTENZA/CP5
- 57 COPERTO/CP3
- 58 RIPORRE™/CC45
- 59 ALEFRUN™/CC6
- 60 TIRARE/U102

62 BLOWERS & ACCESSORIES

- 62-63 IQ BLOWERS
- 64 FLEXBLOWER SYSTEM
- 65 INTERNAL BLOWERS
- 66 IN-LINE BLOWERS
- 67 EXTERIOR BLOWERS
- 68 LINERS
- 69 FLUE EXTENSIONS, BACKSPASHES
- 70 DUCT ACCESSORIES
- 71 DUCT LENGTH ESTIMATOR
- 72-73 CFM REDUCER KITS, REVERSIBLE TELESCOPIC FLUES, CHARCOAL FILTERS, MAKE-UP AIR DAMPERS

74 OPERATION / SPECIFICATIONS

- 74-75 TIPS FOR SUCCESSFUL OPERATION
- 76-85 SPECIFICATIONS

Welcome to Global Inspiration.

Artists find inspiration everywhere. They find it in the intricate elegance of a single snowflake and the bold, geometric forms of the Cubism movement. BEST engineers are equally passionate, finding product influence in nature, art, and architecture from all corners of the globe. The entire line of BEST® range hoods is emotion made tangible, and art made functional in any space it calls home.

Unique in shape and design, these range hoods enable you to express your individuality with a twist on the traditional, or with truly one-of-a-kind styles found in our Sorpresa Collection. Just let your imagination run free and design the gathering space of your dreams where you can cultivate your culinary aspirations. What could you create?

Welcome to the new line of BEST® range hoods. **Let us help you create your unique space.**



BEST offers the broadest choice in design and performance options.

BEST. Style that performs beautifully.

BEST is known for using Italian design to inspire our wide variety of range hood styles, but we haven't forgotten about the heart of the matter. BEST now offers more choices to ensure you have the power and performance your cooking style demands. Our high-pressure blowers have always been our standard to provide exceptional performance for the life of the range hood. With the introduction of the iQ Blower System™, we've reached into the future to bring you performance that makes all the difference.

You told us what you wanted in a range hood and we were inspired. Your concerns were about noise, smoke and odor removal, and energy efficiency. We addressed all three and created the first blower system that's intelligent and quiet. The BEST iQ Blower System—the most significant change in blower technology in decades.

iQ Technology. Surpassing all other range hoods in performance, sound and energy use.

The iQ Blower System can make life more comfortable while providing confidence in the operation and effectiveness of your new BEST range hood.

- Experience up to 30% faster smoke removal.
- Enjoy sound levels up to 2 times quieter.
- Realize up to 22 times more energy efficiency.

Flexible solutions for every installation.

- Full Rated Performance, when using specified duct sizes, is ensured by calibrating the hood at the touch of a button.
- Peak Performance, even in challenging/size reduced ducting situations, is achieved because iQ calibrates to the highest CFM level possible.
- Standard Performance gives you the confidence that the blower is operating at optimal factory settings.



Product featuring this symbol are available with iQ Blower System technology. To see demonstrations and learn more about the iQ Blower System, visit BESTRangeHoods.com/iQ.







Technology with a purpose



Heat Sentry™

Our exclusive Heat Sentry™ feature detects excessive heat and adjusts the blower speed to high automatically, so it protects your range hood from overheating and prolongs the life of the product.



Energy-saving Motor Design

BEST® Range Hoods with iQ Blower System™ use advanced digital motor technology for up to 22 times more energy efficiency. This innovative technology delivers normal air flow operation with as little as 8 watts of power, and saves hundreds of dollars in energy expense over its lifetime.



Efficient LED Lighting

LED lighting brings together the best of all worlds—great lighting over the cooktop, low energy consumption and long life. You might never replace a light bulb again.



Silencing Technology

Decreasing blower sound levels without sacrificing performance was a major goal for BEST. Our iQ Blower System™ incorporates three innovations to deliver up to 2 times quieter operation. In fact, normal operation is so quiet it is silent. Making your life more comfortable and enjoyable.

"Quiet Power. It's a Beautiful Thing."™

What is modern living? Today it is not opulence but rather efficiency.

At BEST, modern living means intelligence is being built into products to improve performance. Modern living is the pursuit of doing things better, and that is what we do at BEST.

We see the kitchen as a focal point in the home—a gathering space that welcomes everyone. Our broad line of range hoods efficiently and quietly clears smoke, moisture and cooking aromas to keep the kitchen comfortable. And they do it beautifully with styles that make bold statements, designs that complement the aesthetic of your space, and solutions that work virtually behind the scenes.

There are sizes, colors and flexible range hood options for every kitchen installation, inside or out. Ideas that save energy, save space, and enable customization from ingenious components.

Technology drives the modern lifestyle, and no one does it better in the kitchen than BEST.



Perimeter Ventilation

Perimeter ventilation has two distinct benefits. One is a decorative panel which hides the mesh filters, providing a clean, sleek look that complements contemporary European kitchen design. The second is increased air flow around the perimeter of the hood, providing superior capture.



Remote Control

Many BEST Range Hoods are designed to work with a lightweight and conveniently sized remote control that enables the busy cook to stay in control from anywhere in the kitchen. The control is standard with some hoods and offered as an option on several others.



Electronic Controls

Whether pushbutton or glass-touch style, electronic controls are a pleasure to use and offer significant benefits that provide convenience and well being. The iQ system moves controls a major step forward with intelligent GPS Technology (see page 62) that, for the first time ever, calibrates the hood to the home for peak performance.

LIMITED

5/2

YEARS ON PARTS YEARS ON LABOR

WARRANTY

BEST is committed to ensuring satisfaction with your new range hood. To help keep things in proper working order, BEST is offering a 5-year parts, 2-year labor limited warranty. See full terms and conditions at bestrangehoods.com/warranty

SORPRESA COLLECTION



VERTIGO DOUBLE 11
IM32



SECRET 12
IC35



SPHERA 13
IM42





As if sculpted by air, the curves of polished stainless steel create an intriguing presence in island design.

Bright halogen bulbs light the cooktop and surrounding area for clear visibility.

Dual, 4-speed Electronic control allows independent control of left and right side blowers and lights. Includes 10-minute delay-off and filter clean reminder.

Perimeter aspiration provides a smooth surface for easy cleaning.

Heat Sentry™ detects excessive heat and adjusts blower to high automatically.

Model Number:
IM32I100SP



Telescopic rod accommodates ceiling heights 8' to 9'.

Hood Sizes

Width	39-3/8"
Depth	19-3/4"
Ceiling Mount Bracket	12" Diameter

Finish

Stocked	Polished Stainless Steel
Special Order	Not Available

Features

Lighting Type	Halogen (Type T3, G4 base, 12 volt, 20 watt max)
Number of Lamps	6
Lighting Levels	2
Lighting Lamps Included	Yes
Control Type	Dual, 4-speed Pushbutton
Control Features	Heat Sentry™, Delay Off, Filter Clean Reminder
Remote Control	Not Available
Filter Type	Mesh Grease and Charcoal Filter with Perimeter Aspiration
Non-ducted Capability	Yes (Non-duct only)

Hood Blower Included (IM32I)

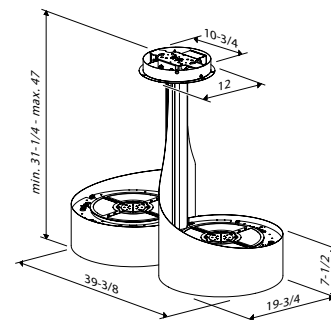
Internal	Centrifugal Blower
Blower CFM	450 Recirculating
Sones Low/High	Not Applicable

Accessories

Charcoal Replacement Filter	AFCIM32
-----------------------------	---------

Installation Requirements

Amps @ 120V: Internal Blower	2.81
Electrical Connection	Direct Wire
Duct Size: Internal Blower	Not Applicable
Duct Direction	Non-duct only
Backdraft Damper	Not Applicable



Installation height above the cooking surface: 24"-30"

For more details see the product specifications sheet found at www.BESTRangeHoods.com





Glass panels are suspended over the cooktop by two telescopic rods in this unique island design.

Bright halogen bulbs light the cooktop and surrounding area for clear visibility.

Perimeter aspiration provides a smooth surface for easy cleaning.

Four-speed electronic control includes 10-minute delay-off and filter clean reminder.

Quick release, dishwasher safe grease filters ensure a clean, fresh kitchen.

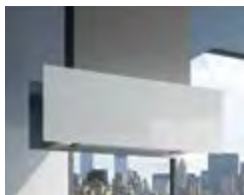
Heat Sentry™ detects excessive heat and adjusts blower to high automatically.

Works with optional Universal Make-Up Air Dampers.

Model Numbers:

IC35I90B

IC35I90W



Optional flue kit works for ducted or non-ducted applications.

Hood Sizes

Width 35-7/16"

Depth 13-3/4"

Ceiling Mount Bracket 9-1/4"

Finish

Stocked Black or White Glass with Brushed Stainless Steel

Special Order Not Available

Features

Lighting Type Halogen (Type T4, G9, 25 watt max.)

Number of Lamps 2

Lighting Levels 2

Lighting Lamps Included Yes

Control Type 4-speed Pushbutton

Control Features Heat Sentry™, Delay Off, Filter Clean Reminder

Remote Control Not Available

Filter Type Mesh Grease Filter with Perimeter Aspiration

Non-ducted Capability Yes (ships in non-duct configuration)

Hood Blower Included (IC35I)

Internal	Centrifugal blower
Blower CFM	490
Sones Low/High	2.5/7.0

Accessories

Optional Flue Kit AEIC35SB (necessary for ducted applications)

Charcoal Replacement Filter FILTEREB40

Universal MUA Damper MD6TU, MD8TU, MD10TU (Requires Fresh Air Inlet)

Fresh Air Inlet 641FA, 643FA, 610FA

Installation Requirements

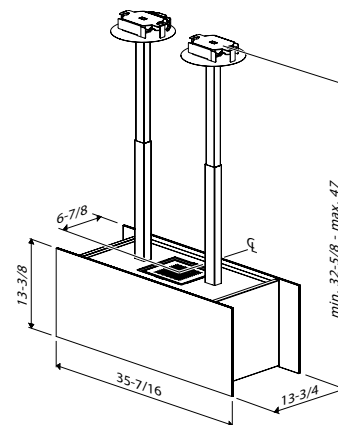
Amps @ 120V: Internal Blower 3.12

Electrical Connection Direct Wire

Duct Size: Internal Blower 6"

Duct Direction Vertical

Backdraft Damper Included



Installation height above the cooking surface: 24"-30"

Optional telescopic flue for 8'-9' ceiling

For more details see the product specifications sheet found at www.BESTRangeHoods.com





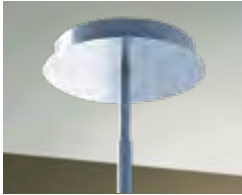
Elegant island range hood resembles a pendant light fixture to make your dining area unique.

Bright halogen bulbs light the cooktop and surrounding area for clear visibility.

Four-speed pushbutton control includes 10-minute delay-off and filter clean reminder.

Heat Sentry™ detects excessive heat and adjusts blower to high automatically.

Model Numbers:
IM42I50W



Telescopic rod accommodates ceiling heights 8' to 9'.



Optional ACR3 remote control lets the busy cook stay in control from anywhere in the kitchen.

Hood Sizes

Width	19-7/8" diameter
Height	15-13/16"
Ceiling Mount Bracket	9-1/4" diameter

Finish

Stocked	White Double Coat Baked on Paint
Special Order	Not Available

Features

Lighting Type	Halogen (Type MR11, G4 2-pin base, 16 watt max.)
Number of Lamps	2
Lighting Levels	1
Lighting Lamps Included	Yes
Control Type	4-speed Pushbutton
Control Features	Heat Sentry™, Delay Off, Filter Clean Reminder
Remote Control	ACR3 Optional
Filter Type	Mesh Grease and Charcoal Filter
Non-ducted Capability	Yes (Non-duct only)

Hood Blower Included (IM42I)

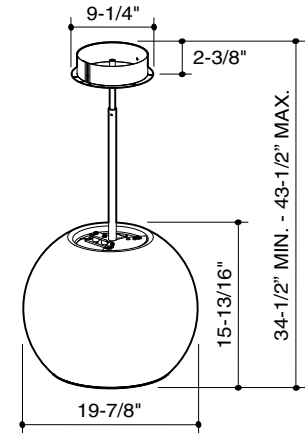
Internal	Centrifugal blower
Blower CFM	250 Recirculating
Sones Low/High	Not Applicable

Accessories

Charcoal Replacement Filter	AFCIM42
-----------------------------	---------

Installation Requirements

Amps @ 120V: Internal Blower	2.63
Electrical Connection	Plug In
Duct Size: Internal Blower	Not Applicable
Duct Direction	Non-duct only
Backdraft Damper	Not Applicable



Installation height above the cooking surface: 23-1/2"–30-1/2"

For more details see the product specifications sheet found at www.BESTRangeHoods.com



ISLAND HOODS



GORGONA
IPB9 15



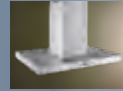
COLONNE ISLAND
IPP9 16



ECLISSE ISLAND
IC34 17



BEST ISPIRA
ICB3 18



PULITO
IBF4I 19



Powered by the exclusive iQ Blower System™ with GPS Technology (see page 62) for the quietest, most energy efficient and fastest smoke and odor removal available in a range hood; external blowers offered separately.

Bright Halogen lighting floods the cooktop and surrounding area for clear visibility.

Mesh lined Hi-Flow™ baffle filters provide superior grease capture to ensure a clean, fresh kitchen.

Heat Sentry™ detects excessive heat and adjusts blower to high automatically.

Works with optional Universal Make-Up Air Dampers.

Model Numbers:

IPB9IQT48SB

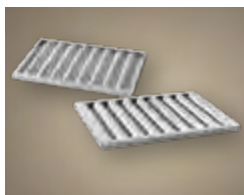
IPB9E48SB



Three-speed, plus boost, electronic controls include 10-minute delay-off and filter clean reminder.



Four Halogen lamps brightly illuminate the cooktop.



Hi-Flow™ baffle filters utilize a V-mesh & baffle design to increase airflow, decrease sound levels and provide excellent ventilation efficiency.



Optional ACR3 remote control lets the busy cook stay in control from anywhere in the kitchen.

Hood Sizes

Width	48"
Depth	27"

Finish

Stocked	Brushed Stainless Steel
Special Order	Not Available

Features

Lighting Type	Halogen, T4, G9, 25-watt
Number of Lamps	4
Lighting Levels	2
Lighting Lamps Included	Yes
Control Type	3-speed Plus Boost Electronic Pushbutton with Display
Control Features	Heat Sentry™, Delay Off, Filter Clean Reminder
Remote Control	Optional ACR3
Filter Type	Hi-Flow™ Baffle Filter
Non-ducted Capability	No

Hood Blower Included (IPB9IQ)

Internal	iQ12
Blower CFM	1200
Sones Low/High	0.3/11.0

Hood Blower Options (IPB9E blowers sold separately)

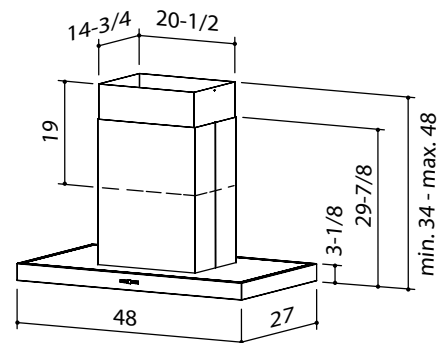
External In-line	ILB3	ILB6	ILB9	ILB11
Max CFM	280	600	800	1100
Sone levels are typically half of comparable CFM internal blowers.				
External Exterior	EB6	EB9	EB12	EB15
Max CFM	600	900	1200	1500
Sone levels are typically half of comparable CFM internal blowers.				

Accessories

10'-11' Flue Extension (ducted)	AEIPB9SB
Universal MUA Damper	MD6TU, MD8TU, MD10TU (Requires Fresh Air Inlet)
Fresh Air Inlet	641FA, 643FA, 610FA

Installation Requirements

Amps @ 120V: Internal Blower	8.5
Amps @ 120V: External Blower	7.0 Max
Electrical	Direct Wire
Duct Size: Internal Blower	10"
Duct Size: External Blower	10" (at hood)
Duct Direction	Vertical
Backdraft Damper	Included



Installation height above the cooking surface: 24"-36"

Telescopic flue for 8'-9' ceiling is standard. Optional flue extensions for 10'-11' ceiling

For more details see the product specifications sheet found at www.BESTRangeHoods.com





Powered by the exclusive iQ Blower System™ with GPS Technology (see page 62) for the quietest, most energy efficient and fastest smoke and odor removal available in a range hood; external blowers offered separately.

Bright Halogen lighting floods the cooktop and surrounding area for clear visibility.

Mesh lined Hi-Flow™ baffle filters provide superior grease capture to ensure a clean, fresh kitchen.

Heat Sentry™ detects excessive heat and adjusts blower to high automatically.

Works with optional Universal Make-Up Air Dampers.

Model Numbers:

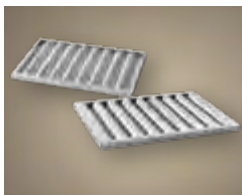
IPP9IQT42SB IPP9E42SB



Three-speed, plus boost, electronic controls include 10-minute delay-off and filter clean reminder.



Four Halogen lamps brightly illuminate the cooktop.



Hi-Flow™ baffle filters utilize a V-mesh & baffle design to increase airflow, decrease sound levels and provide excellent ventilation efficiency.



Optional ACR3 remote control lets the busy cook stay in control from anywhere in the kitchen.

Hood Sizes

Width 42"
Depth 30"

Finish

Stocked Brushed Stainless Steel
Special Order Not Available

Features

Lighting Type	Halogen, T4, G-9, 25-watt
Number of Lamps	4
Lighting Levels	2
Lighting Lamps Included	Yes
Control Type	3-speed Plus Boost Electronic Pushbutton with Display
Control Features	Heat Sentry™, Delay Off, Filter Clean Reminder
Remote Control	Optional ACR3
Filter Type	Hi-Flow™ Baffle Filter
Non-ducted Capability	No

Hood Blower Included (IPP9IQ)

Internal	iQ12
Blower CFM	1200
Sones Low/High	0.3/10.5

Hood Blower Options (IPP9E blowers sold separately)

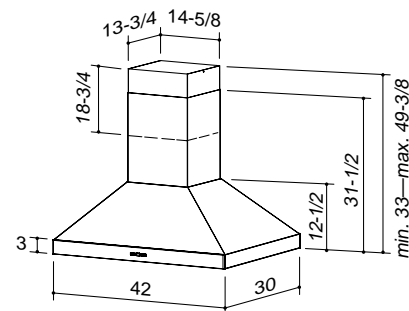
External In-line	ILB3	ILB6	ILB9	ILB11
Max CFM	280	600	800	1100
Sone levels are typically half of comparable CFM internal blowers.				
External Exterior	EB6	EB9	EB12	EB15
Max CFM	600	900	1200	1500
Sone levels are typically half of comparable CFM internal blowers.				

Accessories

10'-11' Flue Extension (Ducted)	AEIPP9SB
Universal MUA Damper	MD6TU, MD8TU, MD10TU (Requires Fresh Air Inlet)
Fresh Air Inlet	641FA, 643FA, 610FA

Installation Requirements

Amps @ 120V: Internal Blower	8.5
Amps @ 120V: External Blower	7.0 Max
Electrical Connection	Direct Wire
Duct Size: Internal Blower	10"
Duct Size: External Blower	10" (at hood)
Duct Direction	Vertical
Backdraft Damper	Included



Installation height above the cooking surface: 24"-36"

Telescopic flue for 8'-9" ceiling is standard. Optional flue extensions for 10'-11" ceiling

For more details see the product specifications sheet found at www.BESTRangeHoods.com





Powered by the exclusive iQ Blower System™ with GPS Technology (see page 62) for the quietest, most energy efficient and fastest smoke and odor removal available in a range hood; external blowers offered separately.

LED lighting has an extremely long lifespan; lamps may never need replacement.

Quick release, dishwasher safe grease filters ensure a clean, fresh kitchen.

Heat Sentry™ detects excessive heat and adjusts blower to high automatically.

Works with optional Universal Make-Up Air Dampers.

Model Numbers:

IC34IQ100SB

IC34E100SB



Four-speed Electronic pushbutton control, with LED indicator, includes 10-minute delay-off and filter clean reminder.



Four LED lamps brightly illuminate the cooktop.



Optional ACR3 remote control lets the busy cook stay in control from anywhere in the kitchen.

Hood Sizes

Width 39-3/8"

Depth 27-5/8"

Finish

Stocked Brushed Stainless Steel

Special Order Not Available

Features

Lighting Type	LED 6-watts
Number of Lamps	4
Lighting Levels	1
Lighting Lamps Included	Yes
Control Type	4-speed Electronic Pushbutton
Control Features	Heat Sentry™, Delay Off, Filter Clean Reminder
Remote Control	Optional ACR3
Filter Type	Mesh Grease Filter
Non-ducted Capability	Yes

Hood Blower Included (IC34IQ)

Internal	iQ6*
Blower CFM	600
Sones Low/High	0.3/7.5

Hood Blower Options (IC34E blowers sold separately)

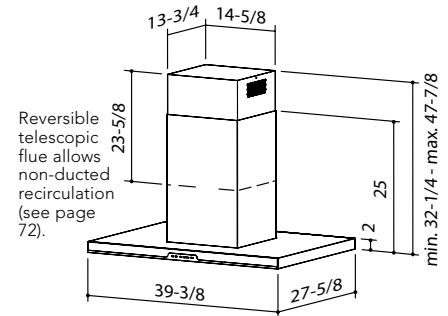
External In-line	ILB3	ILB6	ILB9	ILB11
Max CFM	280	600	800	1100
Sone levels are typically half of comparable CFM internal blowers.				
External Exterior	EB6	EB9	EB12	EB15
Max CFM	600	900	1200	1500
Sone levels are typically half of comparable CFM internal blowers.				

Accessories

10'-11' Flue Extension (Ducted)	AEIC34SB
10'-11' Flue Extension (Non-ducted)	AEIC34SBN
Non-Duct Kit	ANKIC34
Non-Duct Filter	AFCWC345
Universal MUA Damper	MD6TU, MD8TU, MD10TU (Requires Fresh Air Inlet)
Fresh Air Inlet	641FA, 643FA, 610FA

Installation Requirements

Amps @ 120V: Internal Blower	4.3
Amps @ 120V: External Blower	7.0 Max
Electrical Connection	Direct Wire
Duct Size: Internal Blower	8"
Duct Size: External Blower	8" at hood (Transition to 10" typical, see pages 66-67)
Duct Direction	Vertical
Backdraft Damper	Included



Reversible telescopic flue allows non-ducted recirculation (see page 72).

Installation height above the cooking surface: 24"-36"

Telescopic flue for 8'-9' ceiling is standard. Optional flue extensions for 10'-11' ceiling

For more details see the product specifications sheet found at www.BESTRangeHoods.com



*If needed, ask a recommended installer to limit discharge to 300 or 400 CFM.





Exclusive PURLED™ light system boosts light output by 25%, distributes light six times better and improves energy efficiency by 88%.

Two ultra-efficient hybrid baffle filters, easy to clean, for optimal grease removal.

Choice of standard white, grey and black glass colors or interchangeable optional color panels to help you personalize your kitchen décor.

Model Numbers:

ICB3I36SBB	ICB3I36SBS	ICB3I36SBW	ICB3I36SBN
Black	Grey	White	No Glass

Hood Sizes

Width	36"
Depth	22"

Finish

Stocked	Brushed Stainless Steel with white, black or grey glass
---------	---

Features

Lighting Type	PURLED™, 5.5 watts each, 1100 Lumens, 3000K
Number of Lamps	2
Lighting Levels	3
Lighting Lamps Included	Yes
Control Type	4-speed Soft Touch
Control Features	Heat Sentry™, Delay-off
Remote Control	Optional ACR3
Filter Type	Hybrid Baffle
Non-ducted Capability	No

Hood Blower Included

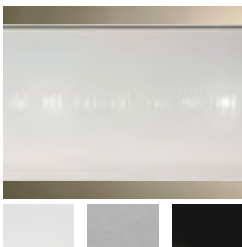
Internal	
Blower CFM	230/600
Sones Low/High	1.2/10.0

Accessories

10' Flue Extension	AEICB3SB
Glass Panels	White, Grey, Black, Emerald, Lime, Orange, Purple, Red

Installation Requirements

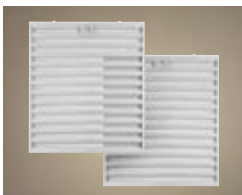
Amps @ 120V: Internal Blower	3.3
Electrical Connection	Plug In
Duct Size: Internal Blower	8" Round
Duct Direction	Vertical



Four-speed soft touch controls sit behind white, grey, black or optional glass panels to match appliance finishes or complement your kitchen décor.



PURLED™ light system boosts light output, distributes light better and improves energy efficiency.



Hybrid baffle filters provide ultra-efficient grease removal and superior air flow.

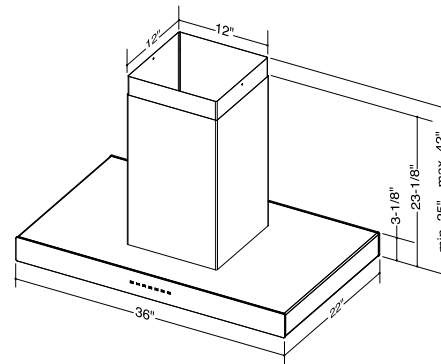


Optional ACR3 remote control lets the busy cook stay in control from anywhere in the kitchen.

Glass colors coming in summer 2019



Emerald, Lime, Orange, Purple, Red



Installation height above the cooking surface: 24"-36"

Telescopic flue for 8'-9' ceiling is standard. Optional flue extension for 10' ceiling

For more details see the product specifications sheet found at www.BESTRangeHoods.com



If needed, ask a recommended installer to limit discharge to 300 CFM.





HVI Certified performance. Up to 60 minute time-delay shut-off feature. Quick release aluminum mesh, dishwasher-safe filters. Telescopic flue for 7'8" to 9' ceilings is standard.

Recirculating flues have vent openings to allow non-ducted operation. Reversible design allows openings to be hidden in most ducted applications. Designed to work with optional universal make-up air damper (MD6TU or MD8TU).

Available in US only

Model Numbers:
IBF4I36SB



Quick release aluminum mesh, dishwasher-safe filters



Four halogen lights to brightly illuminate the cooktop



3-speed control with LCD display

Hood Sizes

Width	36"
Depth	23-5/8"

Finish

Stocked	Brushed Standard Grade Stainless Steel
Special Order	Not Available

Features

Lighting Type	Halogen, Type JC, 12V, 20W Maximum
Number of Lamps	4
Lighting Levels	1
Lighting Lamps Included	Yes
3-Speed, Electronic Push-button with Lighted LCD Screen	
Control Features	Delay Off
Remote Control	Not Available
Filter Type	Aluminum Mesh Filter, Dishwasher safe, Quick release
Filter: Options	Not Available
Non-ducted Capability	Yes

Hood Blower Included

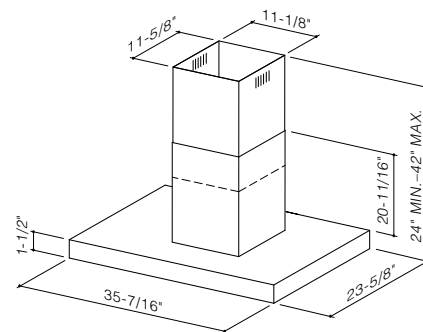
Internal Vertical	
Blower CFM	400/190
Sones Low/High	2.5/8.5

Accessories

Non-Duct Filter Kit	ANKIBF4
10' Flue extension (Ducted)	09086

Installation Requirements

Amps @ 120V	3.3 Maximum
Electrical	Hard Wired
Duct Size: Internal Blower	6" Round
Duct Direction	Vertical
Backdraft Damper	Included



Installation height above the cooking surface: 24"–30"

Telescopic flue for 8'–9' ceiling is standard.

For more details see the product specifications sheet found at www.BESTRangeHoods.com



CHIMNEY HOODS



COLONNE
WPP9

21



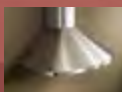
FORTE
WTT32

22



TROVARE™
WCP3

23



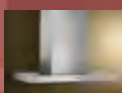
AMIATA
K3139

24



VISTA
K34

25



GORGONA
WPB9

26



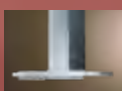
DUNE
WC35

27



ECLISSE
WC34

28



HARMONIA
WC45

29



PULITO
WBF4

30



BEST ISPIRA
WCB3

31





Powered by the exclusive iQ Blower System™ with GPS Technology (see page 62) for the quietest, most energy efficient and fastest smoke and odor removal available in a range hood; external blowers offered separately.

Bright Halogen lighting floods the cooktop and surrounding area for clear visibility.

Mesh lined Hi-Flow™ baffle filters provide superior grease capture to ensure a clean, fresh kitchen.

Heat Sentry™ detects excessive heat and adjusts blower to high automatically.

Works with optional Universal Make-Up Air Dampers.

Model Numbers:

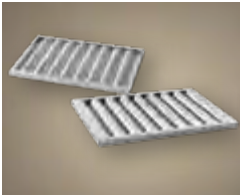
WPP9IQ36SB	WPP9IQT36SB	WPP9IQT48SB	WPP9E36SB	WPP9E48SB
WPP9IQ42SB	WPP9IQT42SB	WPP9IQT54SB	WPP9E42SB	WPP9E54SB



Three-speed, plus boost, electronic controls include 10-minute delay-off and filter clean reminder.



Halogen lamps brilliantly illuminate the cooktop. Three lamps on 36" and 42"; four lamps on 48" and 54" (use image G9T4 Halogen).



Hi-Flow™ baffle filters utilize a V-mesh & baffle design to increase airflow, decrease sound levels and provide excellent ventilation efficiency.



Optional ACR3 remote control lets the busy cook stay in control from anywhere in the kitchen.

Hood Sizes

Internal iQ6 Blower Widths	36", 42"
Internal iQ12 Blower Widths	36", 42", 48", 54"
External Blower Widths:	36", 42", 48", 54"
Depth	24"

Finish

Stocked	Brushed Stainless Steel
Special Order	Not Available

Features

Lighting Type	Halogen, T4, G9, 25 watt
Number of Lamps	3 on 36", 42" 4 on 48", 54"
Lighting Levels	2
Lighting Lamps Included	Yes
Control Type	3-speed Plus Boost Electronic Pushbutton with Display
Control Features	Heat Sentry™, Delay Off, Filter Clean Reminder
Remote Control	Optional ACR3
Filter Type	Hi-Flow™ Baffle Filter
Non-ducted Capability	Yes for iQ6 models only

Hood Blower Included (WPP9IQ)

Internal	iQ6*	iQ12
Blower CFM	600	1200
Sones Low/High	0.3/8.5	0.3/10.5

Hood Blower Options (WPP9E blowers sold separately)

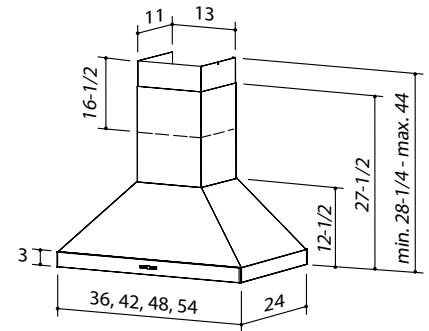
External In-line	ILB3	ILB6	ILB9	ILB11
Max CFM	280	600	800	1100
Sone levels are typically half of comparable CFM internal blowers.				
External Exterior	EB6	EB9	EB12	EB15
Max CFM	600	900	1200	1500
Sone levels are typically half of comparable CFM internal blowers.				

Accessories

10'-11' Flue Extension (Non-ducted)	AEWPP9SBN
Non-Duct Kit for iQ6	ANKWPP9
Non-Duct Filter	AFCROUND2
Universal MUA Damper	MD6TU, MD8TU, MD10TU (Requires Fresh Air Inlet)
Fresh Air Inlet	641FA, 643FA, 610FA

Installation Requirements

Amps @ 120V: Internal Blower	4.5 (Single)
Amps @ 120V: Internal Blower	8.5 (Dual)
Amps @ 120V: External Blower	7.0 Max
Electrical Connection	Direct Wire
Duct Size: Internal Blower	8" on iQ6 10" on iQ12
Duct Size: External Blower	10" (at hood)
Duct Direction	Vertical
Backdraft Damper	Included



Installation height above the cooking surface: 24"-36"

Telescopic flue for 8'-9' ceiling is standard. Optional flue extensions for 10'-11' ceiling

Reversible telescopic flue allows non-ducted recirculation (see page 72).

For more details see the product specifications sheet found at www.BESTRangeHoods.com



*If needed, ask a recommended installer to limit discharge to 300 or 400 CFM.





Heat Sentry™ detects excessive heat and adjusts speed to high automatically.

Bright halogen lighting floods the cooktop and surrounding area for clear visibility.

Control features 5-minute delay-off and reminder light for filter cleaning.

Works with optional Automatic Make-Up Air Dampers.

Model Numbers:

- WTT32I330SB
- WTT32I336SB
- WTT32I342SB
- WTT32I48SB



Four-speed electronic pushbutton control provides full range of operation.



Quick-release stainless steel with mesh grease filter is dishwasher safe.

Hood Sizes

Internal P3 and P6 Blower Widths	30", 36", 42"
Internal P12 Blower Widths	48"
Depth	22"

Finish

Stocked	Brushed Stainless Steel
Special Order	Not Available

Features

Lighting Type	Halogen 50W, GU10
Number of Lamps	2 on 30", 36" 3 on 42", 48"
Lighting Levels	3
Lighting Lamps Included	Yes
Control Type	4-speed Electronic Pushbutton
Control Features	Heat Sentry™, Delay Off, Filter Clean Reminder
Remote Control	Not Available
Filter Type	Stainless Steel with Mesh Grease Filter
Non-ducted Capability	Yes for 30", 36" and 42"

Hood Blower Included (WTT32I-P6, WTT32I3-P3)

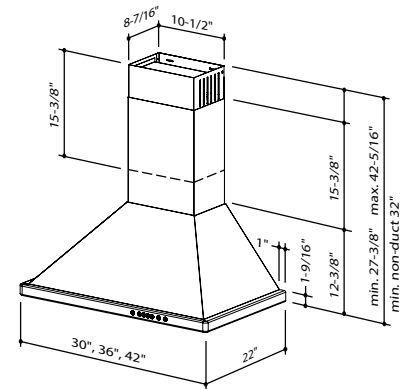
Internal	P3	P6	P12
Blower CFM	300	600	1200
Sones Low/High	0.8/4.5	1.2/9.5	2.0/12

Accessories

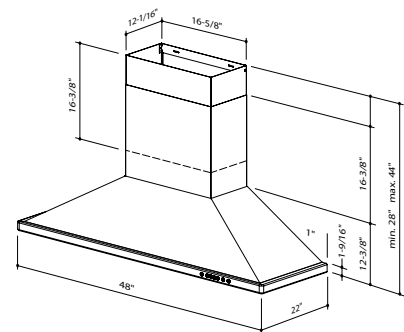
10' Flue Extension	AEWTT32SB for 30", 36", 42" AEWTT328SB for 48"
Non-Duct Recirculating Kit	ANKWTT320 for 30"; ANKWTT326 for 36" & 42"
Automatic MUA Damper	MD6T, MD8T, MD10T (Requires Fresh Air Inlet)
Fresh Air Inlet	641FA, 643FA, 610FA

Installation Requirements

Amps @ 120V	4.5 (30", 36"), 5.0 (42"), 7.5 (48")
Electrical	Plug In
Duct Size	Internal 600 CFM Blower: 8"
Duct Size	Internal 1200 CFM Blower: 10"
Duct Direction	Vertical
Backdraft Damper	Included



Reversible telescopic flue allows non-ducted recirculation (see page 72).



Installation height above the cooking surface: 24"-30"

Telescopic flue for 8'-9' ceiling is standard. Optional flue extensions for 10' ceiling

For more details see the product specifications sheet found at www.BESTRangeHoods.com





3-speed high performance blower featuring 550 CFM, HVI certified*, offering 1.5 sones level at minimum speed.

Two ultra efficient hybrid baffle filters, easy to clean, for optimal grease removal.

Two built-in LED modules provide an even lighting over the cooktop.

Telescopic chimney for 8' to 9' ceiling.

Optional flue extension available for 10' ceiling.

Model Numbers:

WCP3I30SB

WCP3I36SB



Hybrid baffle filters provide ultra-efficient grease removal with superior air flow.



Tap-touch control features easy-to-clean surface.



Two-level LED modules evenly illuminate cooktop.

Hood Sizes

Width	30", 36"
Depth	20"

Finish

Stocked	Brushed Stainless Steel
Special Order	NA

Features

Lighting Type	LED Modules (450 Lumens each, 4.5 watts per module, color temp 3000K)
Number of Modules	2
Lighting Levels	2
Lighting Modules Included	Yes
Control Type	3-speed Tap Touch
Control Features	Heat Sentry™, Filter Clean Reminder
Remote Control	NA
Filter Type	Hybrid Baffle Filter
Non-ducted Capability	Yes

Hood Blower Included

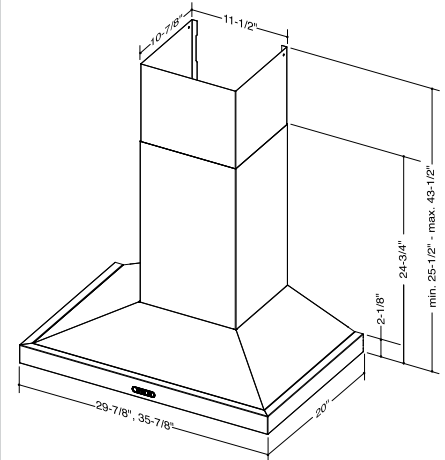
Internal	
Blower CFM Low/High	200/550
Sones Low/High	1.5/11.0

Accessories

10' Flue Extension (Ducted)	AEWCP3SB
Recirculation Kit	HRKBSS
Non-Duct Filter	FILTERECB
CFM Reducer Kit	ARP6, ARP310

Installation Requirements

Amps @ 120V: Internal Blower	3.9
Electrical Connection	Plug In
Duct Size: Internal Blower	6" round, 3-1/4" x 10"
Duct Direction	6" V, 3-1/4" x 14" V and H
Backdraft Damper	Included



Install hood so that the bottom of the unit is 24" to 30" above the cooking surface. Mounting height may be affected by ceiling height.

Ducted telescopic flue accommodates ceiling heights from 8' to 9'. Flue extension for higher ceilings is also available.

*299 CFM max with ARP6 or ARP10 reducer plate option

For more details see the product specifications sheet found at www.BESTRangeHoods.com





Quick release, dishwasher-safe, stainless steel with mesh grease filters ensure a clean, fresh kitchen.

Heat Sentry™ detects excessive heat and adjusts speed to high automatically.

Works with optional Universal Make-Up Air Dampers.

Standard stainless steel is not recommended for installations along saltwater coastal areas.

CFM Reducer Kit reduces max CFM to 250-300.

Model Numbers:

K313930SS

K313936SS

K313942SS



Three-speed pushbutton control includes an "ON" indicator.



Halogen lamps illuminate the cooktop brilliantly.

Hood Sizes

Width 30", 36", 42"

Depth 19-5/8"

Finish

Stocked Brushed Stainless Steel
Special Order Powdercoat Black

Features

Lighting Type	Halogen, G4-20W
Number of Lamps	2
Lighting Levels	1
Lighting Lamps Included	Yes
Control Type	3-Speed Pushbutton
Control Features	Heat Sentry™
Remote Control	Not Available
Filter Type	Stainless Steel with Mesh Grease Filter
Non-ducted Capability	Yes

Hood Blower Included (K3139)

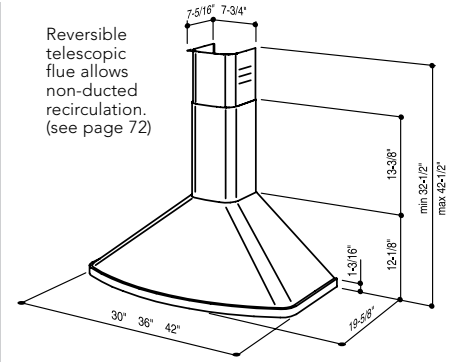
Internal	
Blower CFM	400
Sones	6.0

Accessories

10' Flue Extension (Ducted)	FEXTK3139SS FEXTK3139BL
10' Flue Extension (Non-ducted)	Not Available
Non-ducted Recirculating Kit	NDK3139
CFM Reducer Kit	ARP6
Universal MUA Damper	MD6TU, MD8TU, MD10TU (Requires Fresh Air Inlet)
Fresh Air Inlet	641FA, 643FA, 610FA

Installation Requirements

Amps @ 120V	3.03
Electrical	Plug In
Duct Size: Internal Blower	6"
Duct Direction	Vertical
Backdraft Damper	Included



Reversible telescopic flue allows non-ducted recirculation. (see page 72)

Installation height above the cooking surface: 24"-30"

Telescopic flue for 8'-9" ceiling is standard. Optional flue extensions for 10' ceiling

For more details see the product specifications sheet found at www.BESTRangeHoods.com





Quick release, dishwasher-safe, stainless steel with mesh grease filters ensure a clean, fresh kitchen.

Heat Sentry™ detects excessive heat and adjusts speed to high automatically.

CFM Reducer Kit reduces max CFM to 250–300.

Works with optional Universal Make-Up Air Dampers.

Model Numbers:
K3490CMSS



Brilliant halogen lighting provides work surface illumination.



Intuitive push-button controls operate speed and lights. Includes indicator for "ON."

Hood Sizes

Width 35-7/16"
Depth 19-11/16"

Finish
Stocked Brushed Stainless Steel

Features

Lighting Type Halogen, G4-20W
Number of Lamps 2
Lighting Levels 1
Lighting Lamps Included Yes
Control Type 3-speed Pushbutton
Control Features Heat Sentry™
Remote Control Not Available
Filter Type Stainless Steel with Mesh Grease Filter
Non-ducted Capability Yes

Hood Blower Included (K3490)

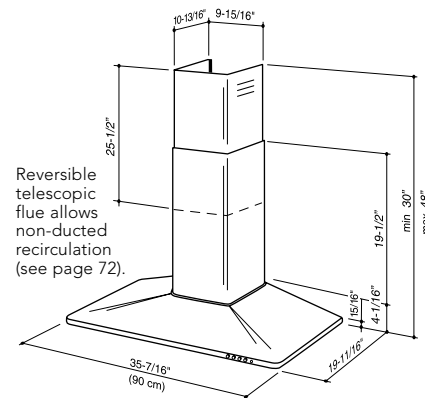
Internal	
Blower CFM	500
Sones	9.5

Accessories

10' Flue Extension (Ducted) FEXTK34SS
10' Flue Extension (Non-ducted) FEXTK34SSN
Non-ducted Recirculating Kit FILTERK3490CM
CFM Reducer Kit ARP6
Universal MUA Damper MD6TU, MD8TU, MD10TU (Requires Fresh Air Inlet)
Fresh Air Inlet 641FA, 643FA, 610FA

Installation Requirements

Amps @ 120V 3.2
Electrical Direct Wire
Duct Size: Internal Blower 6"
Duct Direction Vertical
Backdraft Damper Included



Reversible telescopic flue allows non-ducted recirculation (see page 72).

Installation height above the cooking surface:

- 8' ceiling: 24"
- 9' ceiling: 24"–30"
- 10' ceiling: 26"–30"

Telescopic flue for 8'–9' ceiling is standard. Optional flue extensions for 10' ceiling

For more details see the product specifications sheet found at www.BESTRangeHoods.com





Powered by the exclusive *iQ* Blower System™ with GPS Technology for the quietest, most energy efficient and fastest smoke and odor removal available in a range hood.

Bright Halogen lighting floods the cooktop and surrounding area for clear visibility.

Mesh lined Hi-Flow™ baffle filters provide superior grease capture to ensure a clean, fresh kitchen.

Heat Sentry™ detects excessive heat and adjusts blower to high automatically.

Works with optional Universal Make-Up Air Dampers.

Model Numbers:

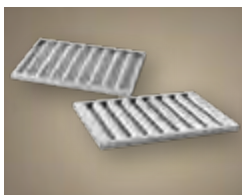
WPB9IQT48SB



Three-speed, plus boost, electronic controls include 10-minute delay-off and filter clean reminder.



Four Halogen lamps brilliantly illuminate the cooktop.



Hi-Flow™ baffle filters utilize a V-mesh & baffle design to increase airflow, decrease sound levels and provide excellent ventilation efficiency.



Optional ACR3 remote control lets the busy cook stay in control from anywhere in the kitchen.

Hood Sizes

Width	48"
Depth	24"

Finish

Stocked	Brushed Stainless Steel
Special Order	Not Available

Features

Lighting Type	Halogen, T4, G9, 25-watt
Number of Lamps	4
Lighting Levels	2
Lighting Lamps Included	Yes
Control Type	3-speed Plus Boost Electronic Pushbutton with Display
Control Features	Heat Sentry™, Delay Off, Filter Clean Reminder
Remote Control	Optional ACR3
Filter Type	Hi-Flow™ Baffle Filter
Non-ducted Capability	Yes

Hood Blower Included (WPB9IQ)

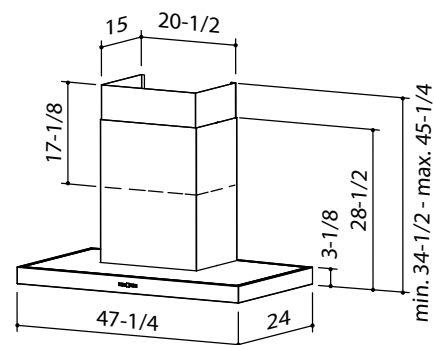
Internal	iQ12
Blower CFM	1200
Sones Low/Boost	0.3/11.0

Accessories

10'-11' Flue Extension (non-ducted)	AEWPB9SBN
Non-duct Kit	ANKWPB9
Non-duct Filter	AFCWPB9
Universal MUA Damper	MD6TU, MD8TU, MD10TU (Requires Fresh Air Inlet)
Fresh Air Inlet	641FA, 643FA, 610FA

Installation Requirements

Amps @ 120V: Internal Blower	8.4
Amps @ 120V: External Blower	7.0 Max
Electrical	Direct Wire
Duct Size: Internal Blower	10"
Duct Size: External Blower	10" (at hood)
Duct Direction	Vertical
Backdraft Damper	Included



Installation height above the cooking surface: 24"-36"

Telescopic flue for 8'-9' ceiling is standard. Optional flue extensions for 10'-11' ceiling

For more details see the product specifications sheet found at www.BESTRangeHoods.com





Powered by the exclusive iQ Blower System™ with GPS Technology (see page 62) for the quietest, most energy efficient and fastest smoke and odor removal available in a range hood; external blowers offered separately.

LED lighting has an extremely long lifespan; lamps may never need replacement.

Quick release, dishwasher-safe, stainless steel with mesh grease filters ensure a clean, fresh kitchen.

Heat Sentry™ detects excessive heat and adjusts blower to high automatically.

Works with optional Universal Make-Up Air Dampers.

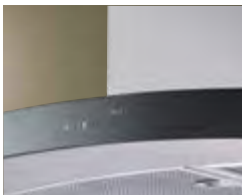
Model Numbers:

WC35IQ90SB

WC35E90SB



Beautiful mirrored black glass trim accents curved design.



Four-speed electronic glass touch control includes 10-minute delay-off and filter clean reminder.



LED lighting produces beautiful bright, clean light using minimal energy.



Optional ACR3 remote control lets the busy cook stay in control from anywhere in the kitchen.

Hood Sizes

Width 35-7/16" (90cm)

Depth 18-3/8"

Finish

Stocked Brushed Stainless Steel

Special Order Not Available

Features

Lighting Type LED 6-watts

Number of Lamps 2

Lighting Levels 1

Lighting Lamps Included Yes

Control Type 4-speed Electronic Capacitive Touch Glass

Control Features Heat Sentry™, Delay Off, Filter Clean Reminder

Remote Control Optional ACR3

Filter Type Stainless Steel with Mesh Grease Filter

Non-ducted Capability Yes

Hood Blower Included (WC35IQ)

Internal	iQ6*
Blower CFM	600
Sones Low/High	0.3/7.5

Hood Blower Options (WC35E blowers sold separately)

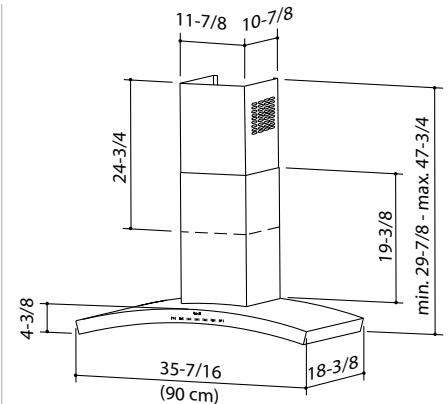
External In-line	ILB3	ILB6	ILB9	ILB11
Max CFM	280	600	800	1100
Sone levels are typically half of comparable CFM internal blowers.				
External Exterior	EB6	EB9	EB12	EB15
Max CFM	600	900	1200	1500
Sone levels are typically half of comparable CFM internal blowers.				

Accessories

10'-11' Flue Extension (Ducted)	AEWC345IQSB
10'-11' Flue Extension (Non-ducted)	AEWC345IQSBN
Non-Duct Kit	ANKWC345
Non-Duct Filter	AFCWC345
Universal MUA Damper	MD6TU, MD8TU, MD10TU (Requires Fresh Air Inlet)
Fresh Air Inlet	641FA, 643FA, 610FA

Installation Requirements

Amps @ 120V: Internal Blower	4.0
Amps @ 120V: External Blower	7.0 Max
Electrical Connection	Plug In
Duct Size: Internal Blower	8"
Duct Size: External Blower	8" at hood (Transition to 10" typical, see pages 66-67)
Duct Direction	Vertical
Backdraft Damper	Included



Installation height above the cooking surface: 24"-30"

Telescopic flue for 8'-9' ceiling is standard. Optional flue extensions for 10'-11' ceiling

Reversible telescopic flue allows non-ducted recirculation (see page 72).

For more details see the product specifications sheet found at www.BESTRangeHoods.com



*If needed, ask a recommended installer to limit discharge to 300 or 400 CFM.





Powered by the exclusive iQ Blower System™ with GPS Technology (see page 62) for the quietest, most energy efficient and fastest smoke and odor removal available in a range hood; external blowers offered separately.

LED lighting has an extremely long lifespan; lamps may never need replacement.

Quick release, dishwasher-safe, mesh grease filters ensure a clean, fresh kitchen.

Heat Sentry™ detects excessive heat and adjusts blower to high automatically.

Works with optional Universal Make-Up Air Dampers.

Model Numbers:

WC34IQ90SB

WC34E90SB



Four-speed electronic control includes 10-minute delay-off and filter clean reminder.



LED lighting produces beautiful bright, clean light using minimal energy.



Optional ACR3 remote control lets the busy cook stay in control from anywhere in the kitchen.

Hood Sizes

Width 35-7/16" (90cm)

Depth 18-1/8"

Finish

Stocked Brushed Stainless Steel

Special Order Not Available

Features

Lighting Type LED 6-watts

Number of Lamps 2

Lighting Levels 1

Lighting Lamps Included Yes

Control Type 4-speed Electronic Pushbutton

Control Features Heat Sentry™, Delay Off, Filter Clean Reminder

Remote Control Optional ACR3

Filter Type Mesh Grease Filter

Non-ducted Capability Yes

Hood Blower Included (WC34IQ)

Internal	iQ6*
Blower CFM	600
Sones Low/High	0.3/7.5

Hood Blower Options (WC34E blowers sold separately)

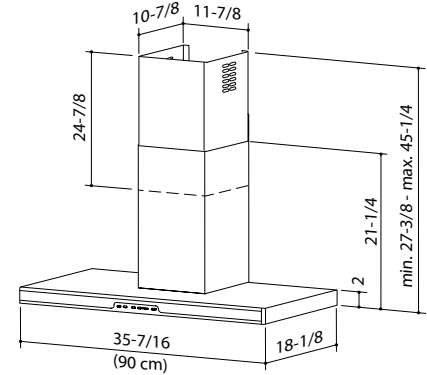
External In-line	ILB3	ILB6	ILB9	ILB11
Max CFM	280	600	800	1100
Some levels are typically half of comparable CFM internal blowers.				
External Exterior	EB6	EB9	EB12	EB15
Max CFM	600	900	1200	1500
Some levels are typically half of comparable CFM internal blowers.				

Accessories

10'-11' Flue Extension (Ducted)	AEWC345IQSB
10'-11' Flue Extension (Non-ducted)	AEWC345IQSBN
Non-Duct Kit	ANKWC345
Non-Duct Filter	AFCWC345
Universal MUA Damper	MD6TU, MD8TU, MD10TU (Requires Fresh Air Inlet)
Fresh Air Inlet	641FA, 643FA, 610FA

Installation Requirements

Amps @ 120V: Internal Blower	4.0
Amps @ 120V: External Blower	7.0 Max
Electrical Connection	Plug In
Duct Size: Internal Blower	8"
Duct Size: External Blower	8" at hood (Transition to 10" typical, see pages 66-67)
Duct Direction	Vertical
Backdraft Damper	Included



Installation height above the cooking surface: 24"-30"

Telescopic flue for 8'-9' ceiling is standard. Optional flue extensions for 10'-11' ceiling

Reversible telescopic flue allows non-ducted recirculation (see page 72).

For more details see the product specifications sheet found at www.BESTRangeHoods.com



*If needed, ask a recommended installer to limit discharge to 300 or 400 CFM.





Powered by the exclusive iQ Blower System™ with GPS Technology (see page 62) for the quietest, most energy efficient and fastest smoke and odor removal available in a range hood; external blowers offered separately.

Glass and stainless steel intersect, joining together to form a beautiful union.

LED lighting has an extremely long lifespan; lamps may never need replacement.

Quick release, dishwasher-safe, mesh grease filters ensure a clean, fresh kitchen.

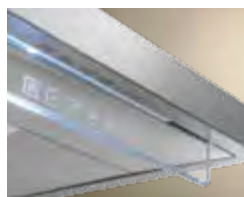
Heat Sentry™ detects excessive heat and adjusts blower to high automatically.

Works with optional Universal Make-Up Air Dampers.

Model Numbers:

WC45IQ90SB

WC45E90SB



Four-speed IR “touch-free” control senses the finger location to activate the control without actually touching it. Lock-out mode to prevent false operation when cleaning.



LED lighting produces beautiful bright, clean light using minimal energy.



Optional ACR3 remote control lets the busy cook stay in control from anywhere in the kitchen.

Hood Sizes

Width 35-7/16" (90cm)
Depth 17-11/16"

Finish

Stocked Brushed Stainless Steel with Glass
 Special Order Not Available

Features

Lighting Type	LED 6-watts
Number of Lamps	2
Lighting Levels	1
Lighting Lamps Included	Yes
Control Type	4-speed Electronic “IR” Infrared
Control Features	Heat Sentry™, Delay Off, Filter Clean Reminder
Remote Control	Optional ACR3
Filter Type	Stainless Steel with Mesh Grease Filter
Non-ducted Capability	Yes

Hood Blower Included (WC45IQ)

Internal	iQ6*
Blower CFM	600
Sones Low/High	0.3/7.5

Hood Blower Options (WC45E blowers sold separately)

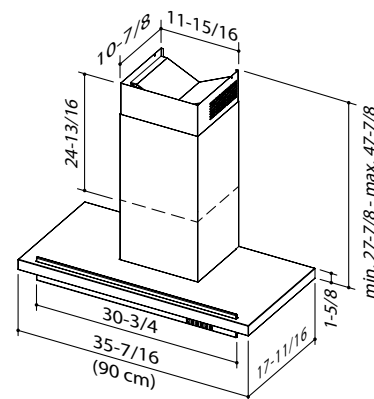
External In-line	ILB3	ILB6	ILB9	ILB11
Max CFM	280	600	800	1100
Sone levels are typically half of comparable CFM internal blowers.				
External Exterior	EB6	EB9	EB12	EB15
Max CFM	600	900	1200	1500
Sone levels are typically half of comparable CFM internal blowers.				

Accessories

10’-11’ Flue Extension (Ducted)	AEWC345IQSB
10’-11’ Flue Extension (Non-ducted)	AEWC345IQSBN
Non-Duct Kit	ANKWC345
Non-Duct Filter	AFCWC345
Universal MUA Damper	MD6TU, MD8TU, MD10TU (Requires Fresh Air Inlet)
Fresh Air Inlet	641FA, 643FA, 610FA

Installation Requirements

Amps @ 120V: Internal Blower	4.0
Amps @ 120V: External Blower	7.0 Max
Electrical Connection	Plug In
Duct Size: Internal Blower	8"
Duct Size: External Blower	8" at hood (Transition to 10" typical, see pages 66-67)
Duct Direction	Vertical
Backdraft Damper	Included



Installation height above the cooking surface: 24"-30"

Telescopic flue for 8'-9' ceiling is standard. Optional flue extensions for 10'-11' ceiling

Reversible telescopic flue allows non-ducted recirculation (see page 72).

For more details see the product specifications sheet found at www.BESTRangeHoods.com



*If needed, ask a recommended installer to limit discharge to 300 or 400 CFM.





HVI Certified performance.
Up to 60 minute time-delay shut-off feature.
Quick release aluminum mesh, dishwasher-safe filters.

Telescopic flue for 7'8" to 9' ceilings is standard.
Recirculating flues have vent openings to allow non-ducted operation. Reversible design allows openings to be hidden in most ducted applications.

Designed to work with optional universal make-up air damper (MD6TU or MD8TU).

Available in US only.

Model Numbers:

WBF4I30SB WBF4I36SB



Quick release aluminum mesh, dishwasher-safe filters.



Two halogen lights to brightly illuminate the cooktop.



3-speed control with LCD display.

Hood Sizes

Widths	30", 36"
Depth	19-3/4"

Finish

Stocked	Brushed Standard Grade Stainless Steel
Special Order	Not Available

Features

Lighting Type	Halogen, Type JC, 12V, 20W Maximum
Number of Lamps	2
Lighting Levels	1
Lighting Lamps Included	Yes
Control Type	3-Speed, Electronic Push-button with Lighted LCD Screen
Control Features	Delay Off
Remote Control	Not Available
Filter Type	Aluminum Mesh Filter, Dishwasher safe, Quick release
Non-ducted Capability	Yes

Hood Blower Included

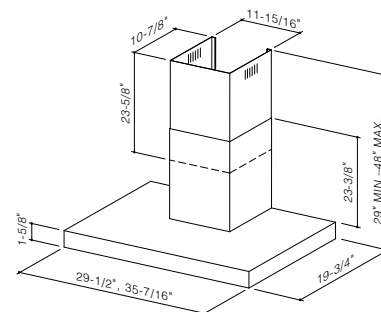
Internal	
Blower CFM High/Low	400/190
Sones High/Low	8.5/2.5

Accessories

Non-ducted Filter Kit	ANKWBF4
-----------------------	---------

Installation Requirements

Amps @ 120V	3.3 Maximum
Electrical	Cord Connected
Duct Size: Internal Blower	6" Round
Duct Size: External Blower	Not Available
Duct Direction	Vertical
Backdraft Damper	Included



Installation height above the cooking surface: 24"–30"

Telescopic flue for 8'–9' ceiling is standard.

Reversible telescopic flue allows non-ducted recirculation (see page 70).

For more details see the product specifications sheet found at www.BESTRangeHoods.com





Exclusive PURLED™ light system: boosts light output by 25%, distributes light six times better and improves energy efficiency by 88%.

Two ultra-efficient hybrid baffle filters, easy to clean, for optimal grease removal.

Choice of standard white, grey and black glass colors or interchangeable optional color panels to help you personalize your kitchen décor.

Model Numbers:

30"–WCB3I30SBB	WCB3I30SBS	WCB3I30SBW	WCB3I30SBN
36"–WCB3I36SBB	WCB3I36SBS	WCB3I36SBW	WCB3I36SBN
Black	Grey	White	No Glass

Hood Sizes

Widths	30", 36"
Depth	20-3/4"

Finish

Stocked	Brushed Stainless Steel with white, black or grey glass
---------	---

Features

Lighting Type	PURLED™, 5.5 watts each, 1100 Lumens, 3000K
Number of Lamps	2
Lighting Levels	3
Lighting Lamps Included	Yes
Control Type	4-speed Soft Touch
Control Features	Heat Sentry™, Delay-off
Remote Control	Not Available
Filter Type	Hybrid Baffle
Non-ducted Capability	No

Hood Blower Included

Internal	Vertical	Horizontal*
Blower CFM Low/High	200/600	200/600
Sones Low/High	1.4/10.5	1.4/10.5

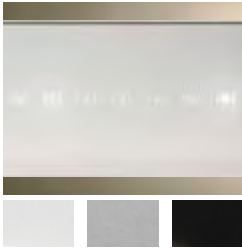
Accessories

10' Flue Extension	AEWCB3SB
Glass Panels	White, Grey, Black, Emerald, Lime, Orange, Purple, Red

Installation Requirements

Amps @ 120V	3.3
Electrical	Plug In
Duct Size: Internal Blower	3-1/4" x 10"
Duct Direction	Vertical

*Manufacturer rating



Four-speed soft touch controls sit behind white, grey, black or optional glass panels to match appliance finishes or complement your kitchen décor.



PURLED™ light system boosts light output, distributes light better and improves energy efficiency.

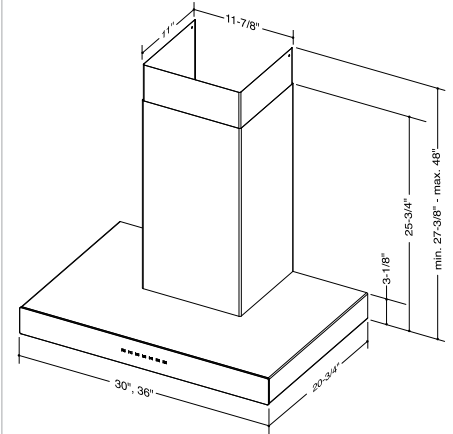


Hybrid baffle filters provide ultra-efficient grease removal with superior air flow.

Glass colors coming in summer 2019



Emerald, Lime, Orange, Purple, Red



Installation height above the cooking surface: 24"–36"

Telescopic flue for 8'–9' ceiling is standard. Optional flue extension for 10' ceiling

For more details see the product specifications sheet found at www.BESTRangeHoods.com



If needed, ask a recommended installer to limit discharge to 300 CFM.



PRO - STYLE HOODS



CENTRO
WP29 33



CENTRO POCO
UP27 34



CLASSICO
WP28 35



CLASSICO POCO
UP26 36



Contemporary 18" Pro-Style for wall mount applications.

Exclusive iQ Blower System™ with GPS Technology (see page 62) for the quietest, most energy efficient and fastest smoke and odor removal available in a range hood; choice of 13 Internal or

External blower options offered separately.

Bright Halogen lighting floods the cooktop and surrounding area for clear visibility.

Mesh lined Hi-Flow™ baffle filters provide superior grease capture to ensure a clean, fresh kitchen.

Heat Sentry™ detects excessive heat and adjusts blower to high automatically.

Works with optional Universal Make-Up Air Dampers.

Model Numbers:

WP29M304SB WP29M424SB WP29M544SB
 WP29M364SB WP29M484SB WP29M604SB



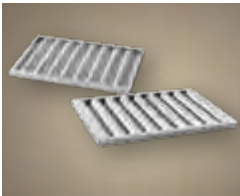
Optional non-duct recirculation kit for hoods up to 48" using BEST® single internal blower.



Variable speed control with last setting memory.



Halogen lamps brilliantly illuminate the cooktop.



Hi-Flow™ baffle filters utilize a V-mesh & baffle design to increase airflow, lower sound levels and provide excellent ventilation efficiency.

Hood Sizes

Widths 30", 36", 42", 48", 54", 60"
Depth 24"

Must purchase blower separately.

Finish

Stocked Brushed Stainless Steel—Seamless
 Special Order Not Available

Features

Lighting Type Halogen, GU10, MR16, 50-watt
 Number of Lamps 4 on 30", 36", 42" | 6 on 48", 54", 60"
 Lighting Levels Variable
 Lighting Lamps Included Yes
 Control Type Variable Speed Rotary with Memory
 Control Features Heat Sentry™
 Remote Control Not Available
 Filter Type Hi-Flow™ Baffle Filter
 Non-ducted Capability Yes

Hood Blower Options (Must choose one blower sold separately)

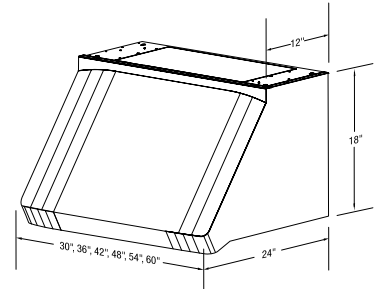
Internal	iQ6*	iQ12	P3	P6	P12
Blower CFM	600	1200	300	600	1200
Sones Low/High	0.3/7.5	0.3/10.0	0.3/3.5	2.0/9.5	2.25/12.0
External In-line	ILB3	ILB6	ILB9	ILB11	
Max CFM	280	600	800	1100	
Sone levels are typically half of comparable CFM internal blowers.					
External Exterior	EB6	EB9	EB12	EB15	
Max CFM	600	900	1200	1500	
Sone levels are typically half of comparable CFM internal blowers.					

Accessories

Decorative Soffit Flue AEWP 12" Tall—in all widths
 Non-Duct Kit for iQ6, P3 and P6 ANKWP306RSB, ANKWP366RSB, ANKWP426RSB, ANKWP486RSB
 Non-Duct Filter AFCROUND2
 Universal MUA Damper MD6TU, MD8TU, MD10TU (Requires Fresh Air Inlet)
 Fresh Air Inlet 641FA, 643FA, 610FA

Installation Requirements

Amps @ 120V 6.0 Max
 Electrical Connection Direct Wire
 Duct Size: Internal Blower 8" (iQ6, P3, P6) 10" (iQ12, P12)
 Duct Size: External Blower 10" (at hood)
 Duct Direction Vertical and Horizontal
 Backdraft Damper Included with Blower

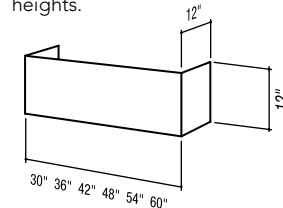


Installation height above the cooking surface: 24"–36"

For more details see the product specifications sheet found at www.BESTRangeHoods.com

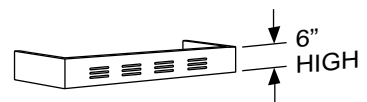
AEWP Decorative Soffit Flue

A soffit flue is available in brushed stainless steel, and attaches to the top of the range hood shell. It is available in all hood widths and 12" heights.



ANKWP Non-Duct Soffit Kit

A non-ducted soffit flue kit is available in hood widths up to 48", in a 6" height.



*If needed, ask a recommended installer to limit discharge to 300 or 400 CFM.





Contemporary 10" Pro-Style for under cabinet applications.

Exclusive iQ Blower System™ with GPS Technology (see page 62) for the quietest, most energy efficient and fastest smoke and odor removal available in a range hood; choice of 11 Internal or External blower options offered separately.

Canopy design utilizes fully welded construction for seamless appearance.

Bright Halogen lighting floods the cooktop and surrounding area for clear visibility.

Mesh lined Hi-Flow™ baffle filters provide superior grease capture to ensure a clean, fresh kitchen.

Heat Sentry™ detects excessive heat and adjusts blower to high automatically.

Works with optional Universal Make-Up Air Dampers.

Model Numbers:

UP27M30SB

UP27M36SB

UP27M42SB

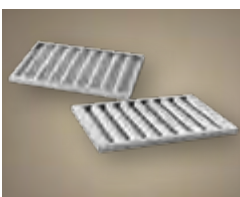
UP27M48SB



Variable speed control with last setting memory.



Halogen lamps brilliantly illuminate the cooktop.



Hi-Flow™ baffle filters utilize a V-mesh & baffle design to increase airflow, decrease sound levels and provide excellent ventilation efficiency.

Hood Sizes

Widths 30", 36", 42", 48"

Depth 22"

Must purchase blower separately.

Finish

Stocked Brushed Stainless Steel—Seamless

Special Order Not Available

Features

Lighting Type Halogen, GU10, MR16, 50-watt

Number of Lamps 2 on 30", 36" | 4 on 42", 48"

Lighting Levels Variable

Lighting Lamps Included Yes

Control Type Variable Speed Rotary with Last Setting Memory

Control Features Heat Sentry™

Remote Control Not Available

Filter Type Hi-Flow™ Baffle Filter

Non-ducted Capability No

Hood Blower Options (Must choose one blower sold separately)

Internal	iQ6*	P3	P6	
Blower CFM	600	300	600	
Sones Low/High	0.3/7.5	0.3/3.5	2.0/9.5	
External In-line	ILB3	ILB6	ILB9	ILB11
Max CFM	280	600	800	1100
Some levels are typically half of comparable CFM internal blowers.				
External Exterior	EB6	EB9	EB12	EB15
Max CFM	600	900	1200	1500
Some levels are typically half of comparable CFM internal blowers.				

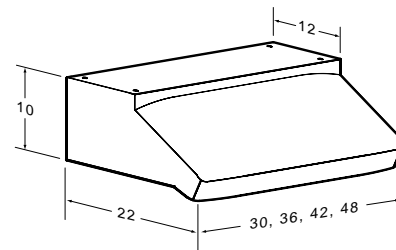
Accessories

Universal MUA Damper MD6TU, MD8TU, MD10TU (Requires Fresh Air Inlet)

Fresh Air Inlet 641FA, 643FA, 610FA

Installation Requirements

Amps @ 120V 7.7 Max
 Electrical Connection Direct Wire
 Duct Size: Internal Blower 8"
 Duct Size: External Blower 10" (at hood)
 Duct Direction Vertical
 Backdraft Damper Included



Installation height above the cooking surface: 24"-36"

For more details see the product specifications sheet found at www.BESTRangeHoods.com



*If needed, ask a recommended installer to limit discharge to 300 or 400 CFM.





Classic 18" Pro-Style for wall mount applications.

Exclusive iQ Blower System™ with GPS Technology (see page 62) for the quietest, most energy efficient and fastest smoke and odor removal available in a range hood; choice of 13 Internal or

External blower options offered separately.

Bright Halogen lighting floods the cooktop and surrounding area for clear visibility.

Mesh lined Hi-Flow™ baffle filters provide superior grease capture to ensure a clean, fresh kitchen.

Heat Sentry™ detects excessive heat and adjusts blower to high automatically.

Works with optional Universal Make-Up Air Dampers.

Model Numbers:

WP28M30SB	WP28M42SB	WP28M54SB
WP28M36SB	WP28M48SB	WP28M60SB

Hood Sizes

Widths 30", 36", 42", 48", 54", 60"

Depth 24"

Must purchase blower separately.

Finish

Stocked	Brushed Stainless Steel
Special Order	Not Available

Features

Lighting Type	Halogen, GU10, MR16, 50-watt
Number of Lamps	2 on 30", 36" 4 on 42", 48", 54", 60"
Lighting Levels	2
Lighting Lamps Included	Yes
Control Type	Variable Speed Rotary with Last Setting Memory
Control Features	Heat Sentry™
Remote Control	Not Available
Filter Type	Hi-Flow™ Baffle Filter
Non-ducted Capability	No

Hood Blower Options (Must choose one blower sold separately)

Internal	iQ6*	iQ12	P3	P6	P12
Blower CFM	600	1200	300	600	1200
Sones Low/High	0.3/7.5	0.3/10.5	0.3/3.5	2.0/9.5	2.25/12.0
External In-line	ILB3	ILB6	ILB9	ILB11	
Max CFM	280	600	800	1100	
Sone levels are typically half of comparable CFM internal blowers.					
External Exterior	EB6	EB9	EB12	EB15	
Max CFM	600	900	1200	1500	
Sone levels are typically half of comparable CFM internal blowers.					

Accessories

Decorative Soffit Flue	AEWP28302SB, AEWP28362SB, AEWP28422SB, AEWP28482SB, AEWP28542SB, AEWP28602SB
Backsplashes	RMP3604, RMP4204, RMP6004
Universal MUA Damper	MD6TU, MD8TU, MD10TU (Requires Fresh Air Inlet)
Fresh Air Inlet	641FA, 643FA, 610FA

Installation Requirements

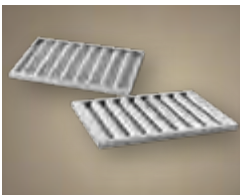
Amps @ 120V	8.5 Max
Electrical	Direct Wire
Duct Size: Internal Blower	8" (iQ6, P3, P6) 10" (iQ12, P12)
Duct Size: External Blower	10" (at hood)
Duct Direction	Vertical and Horizontal
Backdraft Damper	Refer to Blower



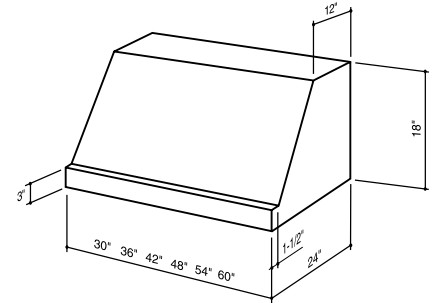
Variable speed control with last setting memory.



Halogen lamps brilliantly illuminate the cooktop.



Hi-Flow™ baffle filters utilize a V-mesh & baffle design to increase airflow, lower sound levels and provide excellent ventilation efficiency.

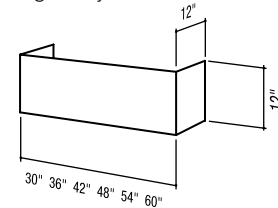


Installation height above the cooking surface: 24"-36"

For more details see the product specifications sheet found at www.BESTRangeHoods.com

AEWP Decorative Soffit Flue

A soffit flue is available in brushed stainless steel, and attaches to the top of the range hood shell. It is available in all hood widths in 12" height only.



*If needed, ask a recommended installer to limit discharge to 300 or 400 CFM.





Classic 10" Pro-Style for under cabinet applications.

Exclusive iQ Blower System™ with GPS Technology (see page 62) for the quietest, most energy efficient and fastest smoke and odor removal available in a range hood; choice of 13 Internal or External blower options offered separately.

Bright Halogen lighting floods the cooktop and surrounding area for clear visibility.

Mesh lined Hi-Flow™ baffle filters provide superior grease capture to ensure a clean, fresh kitchen.

Heat Sentry™ detects excessive heat and adjusts blower to high automatically.

Works with optional Universal Make-Up Air Dampers.

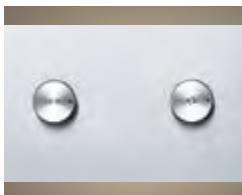
Model Numbers:

UP26M30SB

UP26M36SB

UP26M42SB

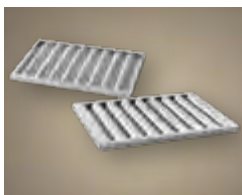
UP26M48SB



Rotary controls for two-level lighting and variable blower speeds enable the user to choose operating preferences.



Optional professional style backsplash with built-in holding racks.



Hi-Flow™ baffle filters utilize a V-mesh & baffle design to increase airflow, lower sound levels and provide excellent ventilation efficiency.

Hood Sizes

Widths 30", 36", 42", 48"

Depth 22"

Must purchase blower separately.

Finish

Stocked Brushed Stainless Steel

Special Order Not Available

Features

Lighting Type Halogen, GU10, MR16, 50-watt

Number of Lamps 2 on 30", 36" | 3 on 42", 48"

Lighting Levels 2

Lighting Lamps Included Yes

Control Type Variable Speed Rotary with Last Setting Memory

Control Features Heat Sentry™

Remote Control Not Available

Filter Type Hi-Flow™ Baffle Filter

Non-ducted Capability No

Hood Blower Options (Must choose one blower sold separately)

Internal	iQ6*	P3	P5	P6	P8*
Blower CFM	600	300	500	600	900
Sones Low/High	0.3/7.5	0.3/3.5	10/10.5	2.0/9.5	10/10.5
External In-line	ILB3	ILB6	ILB9	ILB11	
Max CFM	280	600	800	1100	
Some levels are typically half of comparable CFM internal blowers.					
External Exterior	EB6	EB9	EB12	EB15	
Max CFM	600	900	1200	1500	
Some levels are typically half of comparable CFM internal blowers.					

*P8 cannot be used with 30" width

Accessories

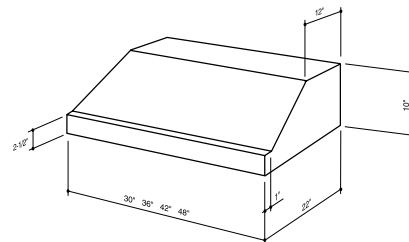
Backsplashes RMP3004, RMP3604, RMP4204, RMP4804

Universal MUA Damper MD6TU, MD8TU, MD10TU (Requires Fresh Air Inlet)

Fresh Air Inlet 641FA, 643FA, 610FA

Installation Requirements

Amps @ 120V 7.7 Max
 Electrical Connection Direct Wire
 Duct Size: Internal Blower 8" (iQ6, P3, P6)
 Duct Size: Internal Blower 3-1/4" x 10" (P5); x14" (P8)
 Duct Size: External Blower 10" (at hood)
 Duct Direction Vertical & Horizontal (P5 & P8 only)
 Backdraft Damper Included



Installation height above the cooking surface: 24"-36"

For more details see the product specifications sheet found at www.BESTRangeHoods.com



*If needed, ask a recommended installer to limit discharge to 300 or 400 CFM.



Shown: CLASSICO WP28M.
See page 35 for
specifications.



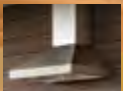
OUTDOOR HOODS



EMPEROR
WPD39M 39



MONARCH
WPD38I 40



FUORI-PERIPHERY™
WTD9M 41



FUORI-BUCOLIC™
CPD9M 42



PROPRIO
CPD 43



Large 27" deep design to handle heat and size of outdoor grills for a best-in-class capture. Optional 3" wall extension for even greater coverage without expensive wall accommodations.

Illuminated ON/OFF indicator
4-speed rotary controls resist the effects of heat and moisture.

Heat Sentry™ detects excessive heat and adjusts speed to high automatically.

UL listed for use in damp locations.

Model Numbers:

WPD38I36SB WPD38I42SB WPD38I48SB WPD38I60SB



Large, easy-to-remove baffle filter and grease rail.



Bright halogen lighting and 4-speed control with illuminated ON/OFF indicator.



1200 CFM Internal Blower. Tested to ensure operation in corrosive environments.

Standard and Extended Depth Flue Covers

Corrosion resistant flue covers in professional grade stainless steel attach to the top of the range hood shell. Available in 6", 18", 30" and 30"-54" telescopic heights at 25" deep. Deeper flues are available for hoods using the 3" wall extension.



Fixed 6" = 8' ceiling
Fixed 18" = 9' ceiling
Fixed 30" = 10' ceiling
Telescopic 30-54" = 10'-12' ceiling

Hood Sizes

Widths	36", 42", 48", 60"
Depth	27" (30" with Optional 3" Wall Extension)

Finish

Stocked	Corrosion Resistant Grade Stainless Steel
Special Order	Not Available

Features

Lighting Type	Halogen, MR16; GU10-50W
Number of Lamps	2 on 36" and 42" 3 on 48" and 60"
Lighting Levels	1
Lighting Lamps Included	Yes
Control Type	4-speed, Rotary, Illuminated ON/OFF Indicator
Control Features	Heat Sentry™
Remote Control	Not Available
Filter Type	304 Stainless Steel Baffle Filters
Non-ducted Capability	No

Hood Blower Included (WPD38I)

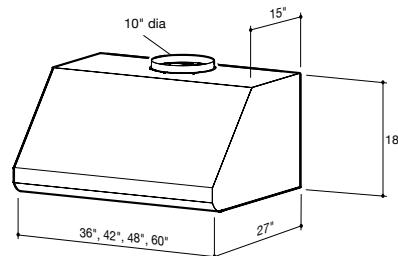
Internal Vertical	
Blower CFM	1160
Sones High	11.0

Installation Requirements

Amps @ 120V	9.0 Max
Electrical	Direct Wire
Duct Size: Internal Blower	10"
Duct Size: External Blower	Not Available
Duct Direction	Vertical
Backdraft Damper	Not Included

Accessories

Flue Cover (Standard Depth)	6" AEWPD36SB
	18" AEWPD318SB
	30" AEWPD330SB
	30"-54" AEWPD3054SB
Flue Cover (Extended Depth)	6" AEWPD36SBE
	18" AEWPD318SBE
	30" AEWPD330SBE
	30"-54" AEWPD3054SBE
3" Wall Extension	Adds 3" to depth of hood 36" AWWPD336SB 42" AWWPD342SB 48" AWWPD348SB 60" AWWPD360SB



Installation height above the cooking surface: 36"

For more details see the product specifications sheet found at www.BESTRangeHoods.com

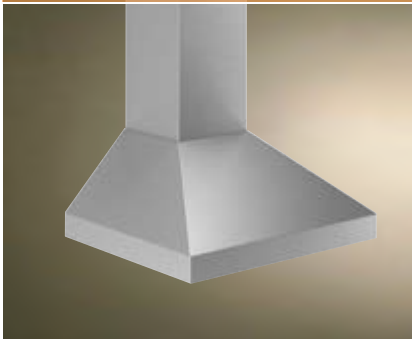
Standard and Extended Depth Flue Covers

Corrosion resistant flue covers in professional grade stainless steel attach to the top of the range hood shell. Available in 6", 18", 30" and 30"-54" telescopic heights. Deeper flues are available for hoods using the 3" wall extension.



Fixed 6" = 8' ceiling
Fixed 18" = 9' ceiling
Fixed 30" = 10' ceiling
Telescopic 30"-54" = 10'-12' ceiling





Large 30" deep design to handle the heat and size of outdoor grills for a best-in-class capture.

UL listed for use in damp locations.

Bright halogen lighting.

Variable-speed rotary control designed to resist the effects of heat and moisture.

Stainless steel baffle filters.

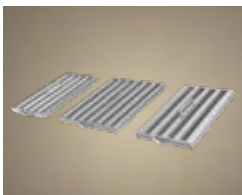
Heat Sentry™ detects excessive heat and adjusts to high automatically.

Model Numbers:

WTD9M36SB

WTD9M42SB

WTD9M48SB



Large, easy to remove baffle filters and grease rail.



Bright halogen lighting.



A variable-speed rotary control enables infinite blower speed adjustment.

Hood Sizes

Widths 36", 42", 48"

Depths 30"

Finish

Stocked Brushed Corrosion Resistant Stainless Steel

Special Order Not Available

Features

Lighting Type Halogen, MR16; GU10-50W

Number of Lamps 2

Lighting Levels 1

Lighting Lamps Included Yes

Control Type Variable-Speed, Rotary, Illuminated ON/OFF with Last Memory Setting

Control Features Heat Sentry™

Remote Control Not Available

Filter Type Baffle

Non-ducted Capability No

Hood Blower Options (Blower sold separately)

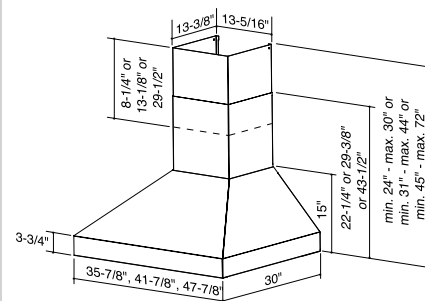
Internal	P12NA
Blower CFM	1200
Sones High	13.0

Installation Requirements

Amps @ 120V	7.0
Electrical	Direct Wire
Duct Size: Internal Blower	10"
Duct Direction	Vertical
Backdraft Damper	Not Included

Accessories

Flue Extension	8–8.5 ft AEWTD915SB
	8.5–9.5 ft AEWTD1629SB
	9.5–12 ft AEWTD3057SB



Installation height above the cooking surface: 36"

For more details see the product specifications sheet found at www.BESTRangeHoods.com





Large 30" deep design to handle the heat and size of outdoor grills for a best-in-class capture.

Variable-speed rotary control designed to resist the effects of heat and moisture.

UL listed for use in damp locations.

Stainless steel baffle filters.

Bright halogen lighting.

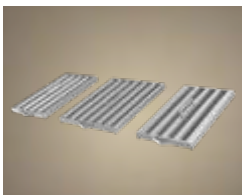
Heat Sentry™ detects excessive heat and adjusts to high automatically.

Model Numbers:

CPD9M363SB

CPD9M423SB

CPD9M483SB



Large, easy-to-remove baffle filter and grease rail.



Bright halogen lighting.



A variable-speed rotary control enables infinite blower speed adjustment.

Hood Sizes

Widths	36", 42", 48"
Depths	28-3/8"

Finish

Stocked	Brushed Corrosion Resistant Stainless Steel
Special Order	Not Available

Features

Lighting Type	Halogen, MR16, GU10-50W
Number of Lamps	2
Lighting Levels	1
Lighting Lamps Included	Yes
Control Type	Variable-Speed, Rotary, Illuminated ON/OFF with Last Memory Setting
Control Features	Heat Sentry™
Remote Control	Not Available
Filter Type	Baffle
Non-ducted Capability	No

Hood Blower Options (Blower sold separately)

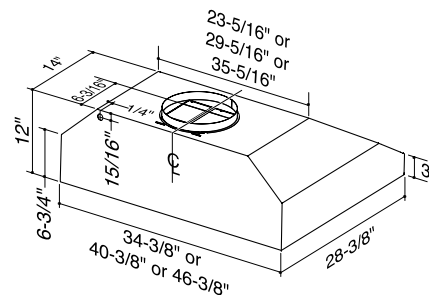
Internal	P12NA
Blower CFM	1200
Sones High	13.0

Installation Requirements

Amps @ 120V	7.0
Electrical	Direct Wire
Duct Size: Internal Blower	10"
Duct Direction	Vertical
Backdraft Damper	Not Included

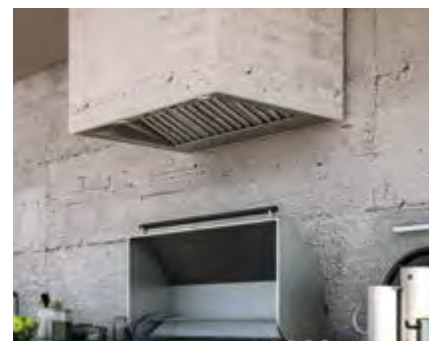
Accessories

None



Installation height above the cooking surface: 36"

For more details see the product specifications sheet found at www.BESTRangeHoods.com





22.5" deep design handles heat of outdoor grills.

Controls are designed to resist the effects of heat and moisture.

UL listed for use in damp locations.

Heat Sentry™ detects excessive heat and adjusts speed to high automatically.

Integrated liner simplifies installation with a complete finished look.

Model Numbers:

CPDI362SB CPDI482SB CPDI602SB



Large baffle filter design for superior grease capture.



Halogen lights provide bright cooktop lighting, 2 on 36"—3 on 48" and 60".



Three-speed rotary controls allow the user to choose operating preference.

Hood Sizes

Widths	34-3/8", 46-3/8", 58-7/8"
Depth	22-1/2"

Finish

Stocked	Corrosion Resistant Grade Stainless Steel
Special Order	Not Available

Features

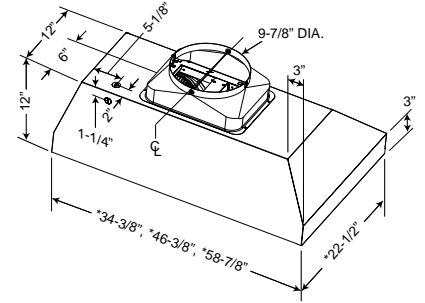
Lighting Type	Halogen, MR16; GU10-50W
Number of Lamps	2 on 36" 3 on 48" and 60"
Lighting Levels	2
Lighting Lamps Included	Yes
Control Type	3-speed Rotary
Control Features	Heat Sentry™
Remote Control	Not Available
Filter Type	304 Stainless Steel Baffle Filters
Non-ducted Capability	No

Hood Blower Included (CPD)

Internal Vertical	
Blower CFM	1200
Sones Low/High	3.0/11.5

Installation Requirements

Amps @ 120V	7.1 Max
Electrical	Direct Wire
Duct Size: Internal Blower	10"
Duct Size: External Blower	Not Available
Duct Direction	Vertical
Backdraft Damper	Not Included



Installation height above the cooking surface: 36"

For more details see the product specifications sheet found at www.BESTRangeHoods.com



D O W N D R A F T & B U I L T - I N



CATTURA™
D49M 45-47



SLOT
DC54 48



BEST ISPIRA
UCB3 49



CIRRUS GRANDE
CC34-63" 50



CIRRUS
CC34-43" 51



VELATO
P195P 52



SOPRA
P195ES 53



CELATO
PK22 54



MANTO
PIK 55



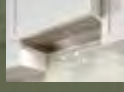
POTENZA
CP5 56



COPERTO
CP3 57



RIPORRE™
CC45 58



ALEFRUN™
CC6 59



TIRARE
U102 60



VERTEX™ Complete Capture Design technology ventilates as well as an island hood.

Up to 35% quieter operation than any other downdraft.

Chimney raises 18" off the counter surface for optimal capture on all burners.

Long-lasting LED lighting technology means lamps may never need replacement.

Heat Sentry™ detects excessive heat and adjusts speed to high automatically.

10-minute time-delay shut-off feature and reminder light for filter maintenance.

Remote control to activate downdraft from another location.

Works with optional Automatic Make-Up Air Dampers.

Model Numbers:

D49M30SB

D49M36SB

D49M48SB

D49M30BLS

D49M36BLS



Our VERTEX™ Complete Capture Design technology performs as well as an island hood.



An LED light bar evenly illuminates the entire cooking surface.



A touch of a button raises or lowers the 18" downdraft.



Sleek, easy-to-clean touch-control panel.



An optional remote control button raises or lowers the downdraft as needed. Also available in black stainless.

Hood Sizes

Widths 30", 36", (48" stainless only)

Depth 2-1/4"

Finish

Stocked Brushed Stainless Steel, Black Stainless Steel

Special Order Not Available

Features

Lighting Type	LED, 7W (30"); 14W (36"); 18W (48")
Lighting Levels	2
Lighting Lamps Included	Yes
Control Type	4-speed Capacitive Glass
Control Features	Heat Sentry™, Delay Off, Filter Timer
Remote Control	Optional ACRD, ACRDBLS
Filter Type	Mesh Grease Filter
Non-ducted Capability	Yes

Hood Blower Options (Must choose one blower sold separately)

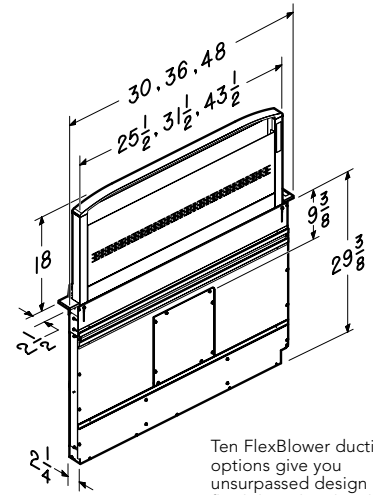
Internal	PF6			
FlexBlower CFM	600			
Sones	8.8			
External In-Line	ILB3	ILB6	ILB9	ILB11
Max CFM	280	600	800	1100
Sone levels are typically half of comparable CFM internal blowers.				
External Exterior	EB6	EB9	EB12	EB15
Max CFM	600	900	1200	1500
Sone levels are typically half of comparable CFM internal blowers.				

Accessories

Non-ducted Recirculating Kit	ANKD
Transition to 8" Round	AVDKD8
Transition to 10" Round	AVDKD10
Charcoal Filter	AFCD
Stainless Range Trim Kit	ATKD30SB, ATKD36SB, ATKD48SB
Stainless End Cap Extension	ATTD1
Black Stainless End Cap Extension	ATTD1BLS
Automatic MUA Damper	MD6T, MD8T, MD10T (Requires Fresh Air Inlet)
Fresh Air Inlet	641FA, 643FA, 610FA

Installation Requirements

Amps @ 120V: Internal Blower	6.0 Max
Electrical	Plug In
Duct Size: Internal Blower	8"
Duct Size: External Blower	10" at hood
Duct Direction	Front, Left, Right, Rear or Down
Backdraft Damper	Not Included



Ten FlexBlower ducting options give you unsurpassed design flexibility. The FlexBlower can be installed in front, to the left, right or rear of the downdraft.

Optional end cap extension adds 1" to width for 31", 37" and 49" applications.



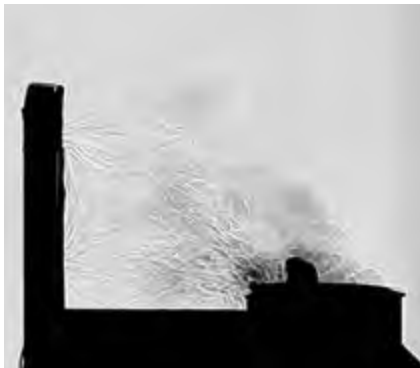
Shown in black stainless steel finish.

BEST® opens up new possibilities in kitchen design with the Cattura™ downdraft.

At the touch of a button the Cattura downdraft quickly rises to a height of 18" to handle serious cooking ventilation requirements and tall pots—even on the front burners.



POWERFUL, YET UP TO 35% QUIETER.
And in a word—beautiful.



The integral, self-closing cap hides the lowered downdraft completely, leaving your counter unobstructed.



The touch-control panel features easy-to-read icons. Its seamless design simply wipes clean.

Patent pending VERTEX™ Complete Capture Design enables superior capture. Shadowgraph imaging confirms the capture in vivid detail. Here, heat, steam and smoke are clearly shown being drawn into the front and top inlets.

Realize design aspirations utilizing your favorite cooking appliances.

The Cattura downdraft from BEST frees you from constraints that previously limited your kitchen design options and appliance choices. For the first time, a downdraft can be installed with a free-standing range, drop-in rangetop, gas or electric cooktop, slide-in range or a built-in oven with a cooktop. The Cattura FlexBlower System makes this possible with nine ducting options. See page 64 for ducting options.

With the Best Cattura downdraft, you can choose the cooking appliance best suited to your design and cooking needs. It visually complements today's premium cooking appliances with its graceful curves and sophisticated angles. Add an accessory trim kit and be assured of a custom fit in any installation. Cattura makes it possible.

BEST Cattura works with virtually any cooking surface or appliance.



Traditional gas or electric cooktops.



Drop-in gas rangetop.



Free standing or slide-in range.



Built-in oven with cooktop.



Efficient LEDs illuminate the entire cooktop including pots and pans on the front burners.



The front panel removes easily to allow for simple clean-up in the kitchen sink.



Slot provides hidden, discrete built-in kitchen ventilation that resides flush, next to the cooktop.

Smooth and sleek 3-speed capacitive touch control. Operates with optional ACR3 remote control.

10-minute delay-off and filter clean reminder ensure a clean, fresh kitchen.

Features removable filters and grease tray for fast and easy cleaning.

Compatible with optional Universal make-up air dampers.

Model Numbers:

DC54MSB



Louvers open for ventilation.



Capacitive control includes 10-minute delay-off and filter maintenance.



Removable grease tray for easy clean-up.



Optional ACR3 remote control lets the busy cook stay in control from anywhere in the kitchen.

Hood Sizes

Widths 4-3/4"

Depth 21"

Finish

Stocked 304 Stainless Steel

Special Order Not Available

Features

Lighting Type NA

Number of Lamps NA

Lighting Levels NA

Lighting Lamps Included NA

Control Type 3-speed Capacitive Touch

Control Features 10-minute Delay-off, Filter Clean Reminder

Remote Control Optional ACR3

Filter Type Aluminum Mesh

Non-ducted Capability Yes

Hood Blower Options (Must choose one blower sold separately)

Internal	PF3	PF6
FlexBlower CFM	300	600
Sones	<4.0	8.8

Accessories

Non-duct Kit ANKD

Non-duct Filter AFCD

Automatic MUA Damper MD6TU, MD8TU, MD10TU

Fresh Air Inlets 641FA, 643FA, 610FA

Transition 3-1/4" x 14" to 8" Round, 459

Installation Requirements

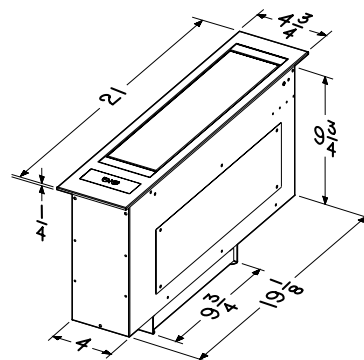
Amps @ 120V: Internal Blower 3.0

Electrical Plug in

Duct Size 8" Round with transition

Duct Direction Horizontal; left or right

Backdraft Damper Not included

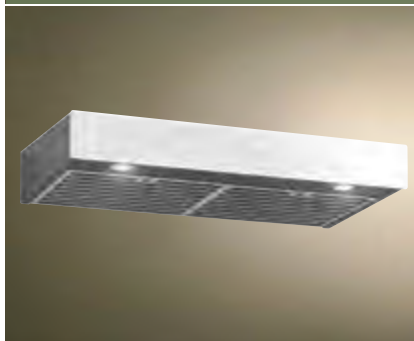


Installation distance from cooktop: Recommended for best capture—nearest to cooking surface as possible.

For use only with electric and induction cooktops.

For more details see the product specifications sheet found at www.BESTRangeHoods.com





Heat Sentry™ mode that automatically adjusts ventilation to avoid overheating.
 Delay-off function for each speed (automatic shut-off after 5 minutes).

Blue or white LED backlighting.
 Blower power up to 500 CFM.
 4 blower speeds for all your cooking needs.

Choice of standard white, grey and black glass colors or interchangeable optional color panels to help you personalize your kitchen décor.

Model Numbers:

30"–UCB3I30SBB	UCB3I30SBS	UCB3I30SBW	UCB3I30SBN
36"–UCB3I36SBB	UCB3I36SBS	UCB3I36SBW	UCB3I36SBN
Black	Grey	White	No Glass

Hood Sizes

Widths	30", 36"
Depths	20-1/8"

Finish

Stocked	Brushed Stainless Steel with white, black or grey glass
---------	---

Features

Lighting Type	PURLED™, 5.5 watts each, 1100 Lumens, 3000K
Number of Lamps	2
Lighting Levels	3
Lighting Lamps Included	Yes
Control Type	4-speed Soft Touch
Control Features	Heat Sentry™, Delay-off
Remote Control	Not Available
Filter Type	Hybrid Baffle
Non-ducted Capability	No

Hood Blower Included

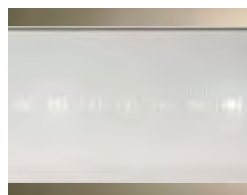
Internal	Horizontal	Vertical
Blower CFM	160/500	160/440
Sones Low/High	1.0/9.5	1.0/9.5

Installation Requirements

Amps @ 120V	1.8
Electrical	Plug In
Duct Size: Internal Blower	3-1/4" x 10"
Duct Direction	V or H
Backdraft Damper	Included

Accessories

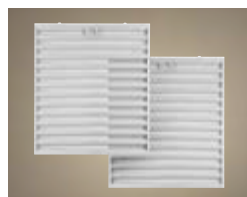
Glass Panels	White, Grey, Black, Emerald, Lime, Orange, Purple, Red
--------------	--



Four-speed soft touch controls sit behind white, grey, black or optional glass panels to match appliance finishes or complement your kitchen décor.



PURLED™ light system boosts light output, distributes light better and improves energy efficiency.

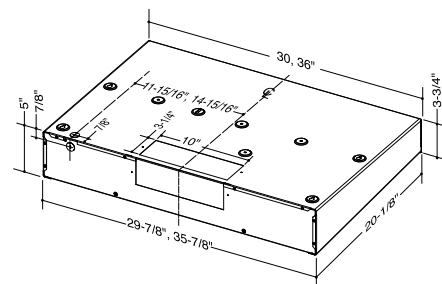


Hybrid baffle filters provide ultra-efficient grease removal with superior air flow.

Glass colors coming in summer 2019



Emerald, Lime, Orange, Purple, Red



Installation height above the cooking surface: 24"–30"

For more details see the product specifications sheet found at www.BESTRangeHoods.com



If needed, ask a recommended installer to limit discharge to 300 CFM.





Powered by the exclusive iQ Blower System with GPS Technology (see page 62) for the quietest, most energy efficient and fastest smoke and odor removal available in a range hood.

Four-speed electronic light-touch controls are operated with the ACR3 remote control, included.

10-minute delay-off and filter clean reminder provide convenient operation.

Four 3-watt LED light strips provide bright cooktop lighting.

Designed to work with optional Automatic make-up air dampers.

Perimeter aspiration provides superior ventilation, backed up by mesh grease filters.

Stainless Steel panels for a designer look.

Model Numbers:

CC34IQ63SB CC34IQT63SB CC34E63SB



Panels provide perimeter aspiration and conceal washable grease filters.



Bright, energy-efficient LED lighting.



Central control button with LED indicator ring.



Included ACR3 remote control lets the busy cook stay in control from anywhere in the kitchen.

Hood Sizes

Width	63"
Depth	27-1/2"
Finish	
Stocked	Brushed Professional Grade Stainless Steel
Special Order	Not Available

Features

Lighting Type	LED
Number of Lamps	4 Light strips (9 watts each, 380 lux each, 2800-3200K)
Lighting Levels	3
Lighting Lamps Included	Yes
Control Type	4-speed Electronic Light Touch
Control Features	Delay-off, Filter Clean Reminder
Remote Control	ACR3 Included
Filter Type	Mesh Grease Filter with Perimeter Aspiration
Non-ducted Capability	Yes

Hood Blower Included (CC34IQ63 and CC34IQT63)

Internal	iQ6*	iQ12
Blower CFM	600	1200
Sones Low/High	0.3/8.0	0.6/11.5

Hood Blower Options (CC34E blowers sold separately)

*External In-line:	ILB3	ILB6	ILB9	ILB11
Max CFM	280	600	800	1100
*External Exterior:	EB6	EB9	EB12	EB15
Max CFM	600	900	1200	1500

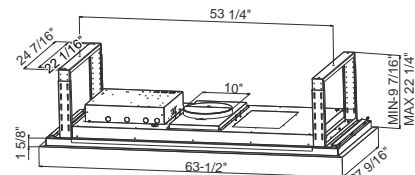
*Sone levels using External blowers are typically half of comparable CFM Internal blowers.

Accessories

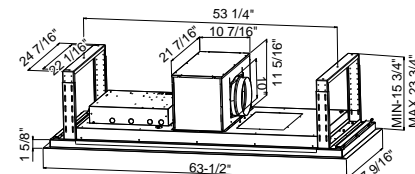
Non-ducted Kit	ANKCC3463
Charcoal Replacement Filters	AFCCCE3463
Automatic MUA Damper	MD6T, MD8T, MD10T (Requires Fresh Air Inlet)
Fresh Air Inlet	641FA, 643FA, 610FA

Installation Requirements

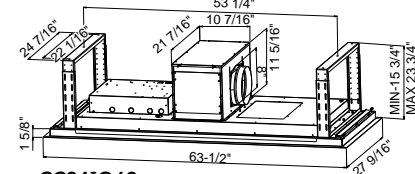
Electrical Amps @ 120V	Internal: 4.0, External: 6.5
Electrical connection	Direct
Duct Size-Internal Blower	8" and 10" for iQ12
Duct size-External Blower	10"
Duct Direction	Horizontal Vertical (External vent only)
Backdraft Damper	Included



CC34E



CC34IQT63



CC34IQ63

Installation height above the cooking surface 48" minimum, 72" maximum recommended.



*If needed, ask a recommended installer to limit discharge to 300 or 400 CFM.





Powered by the exclusive iQ Blower System with GPS Technology (see page 62) for the quietest, most energy efficient and fastest smoke and odor removal available in a range hood.

Perimeter aspiration provides superior ventilation, backed up by mesh grease filters.

Four-speed electronic light-touch controls are operated with the ACR3 remote control, included.

Six 3-watt LED lights provide bright cooktop lighting.

Available with Stainless Steel panels or optional White Glass Panels for a designer look.

10-minute delay-off and filter clean reminder provide convenient operation.

Designed to work with optional Automatic make-up air dampers.

Model Numbers:

CC34IQSB

CC34E6SB



Bright, energy efficient LED lighting.



Perimeter aspiration for superior capture.



Included ACR3 remote control lets the busy cook stay in control from anywhere in the kitchen.



Optional white glass panels.

Hood Sizes

Width	43-3/8"
Depth	27-1/2"

Finish

Stocked	Brushed Professional Grade Stainless Steel
Special Order	Not Available

Features

Lighting Type	LED
Number of Lamps	6 lamps (3 watts each, 660 lumens total, 2800-3200K)
Lighting Levels	3
Lighting Lamps Included	Yes
Control Type	4-speed Electronic Light Touch
Control Features	Delay-off, Filter Clean Reminder
Remote Control	ACR3 Included
Filter Type	Mesh Grease Filter with Perimeter Aspiration
Non-ducted Capability	Yes

Hood Blower Included (CC34IQ)

Internal	iQ6*
Blower CFM	600
Sones Low/High	0.3/8.0

Hood Blower Options (CC34E blowers sold separately)

*External In-line:	ILB3	ILB6	ILB9	ILB11
Max CFM	280	600	800	1100
*External Exterior:	EB6	EB9	EB12	EB15
Max CFM	600	900	1200	1500

*Sone levels using External blowers are typically half of comparable CFM Internal blowers.

Accessories

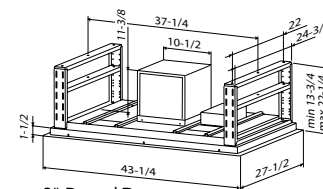
Non-ducted Kit	ANKCC34
Charcoal Replacement Filters	AFCCCE34
White Glass Panels	AGPCC34W
Automatic MUA Damper	MD6T, MD8T, MD10T (Requires Fresh Air Inlet)
Fresh Air Inlet	641FA, 643FA, 610FA

Installation Requirements

Electrical Amps @ 120V	Internal: 4.0, External: 6.5
Electrical connection	Direct
Duct Size-Internal Blower	8"
Duct size-External Blower	8"
Duct Direction	Horizontal Vertical (External vent only)
Backdraft Damper	Included

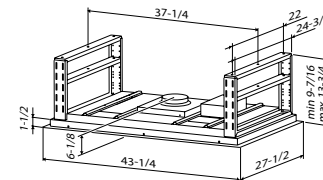


CC34IQSB



8" Round Duct

CC34E6SB



8" Round Duct

Installation height above the cooking surface 48" minimum, 72" maximum recommended.



*If needed, ask a recommended installer to limit discharge to 300 or 400 CFM.





Shown with custom fabricated side panels, not supplied by BEST

Heat Sentry™ detects excessive heat and adjusts speed to high automatically.

10-minute delay-off feature turns the hood off automatically.

30-hour filter clean indicator.

Recirculation kit available for the P195P1 for non-ducted operation.

Smooth stainless steel panel conceals mesh grease filters and enables increased flow around the perimeter for superior capture.

Works with optional Automatic Make-Up Air Dampers.

Model Numbers:

P195P1M52SB6

P195P1M70SB6

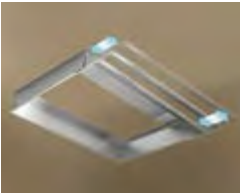
P195P2M70SB



Powerful perimeter aspiration effectively removes heat, moisture and cooking aromas.



Variable 4-speed Electronic push-button control enables the user to choose operating preference.



Protect cabinetry from steam and grease with stainless steel liners that provide a custom fit.



Optional ACR3 remote control lets the busy cook stay in control from anywhere in the kitchen.

Hood Sizes

Widths 21-3/16", 28-5/16"

Depth 11-1/8"

Finish

Stocked Brushed Stainless Steel

Features

Lighting Type Halogen 20W, G-4

Number of Lamps 2

Lighting Levels 2*

Lighting Lamps Included Yes

Control Type 4-speed Electronic Pushbutton, Digital Display

Control Features Heat Sentry™, Delay Off, Filter Clean Reminder

Remote Control Optional ACR3

Filter Type Mesh Grease Filters with Perimeter Aspiration

Non-ducted Capability Yes (P195P1 only)

Hood Blower Included (P195P)

Internal	P6	P12
Model	P195P1M52 P195P1M70	P195P2M70
Blower CFM	600	1200
Sones Low/High		
P195P1M52	1.0/9.5	
P195P1M70	1.0/8.0	
P195P2M70		2.0/12.0

Accessories

Non-Duct Filters AFCP195P52, AFCP195P70

Liners: Optional L5230, L7036, L7048

CFM Reducer Kit ARP6

Make-Up Air Dampers MD6T, MD8T, MD10T

Fresh Air Inlets 641FA (6"), 643FA (8"), 610FA (10")

Installation Requirements

Amps @ 120V 5.4 Max

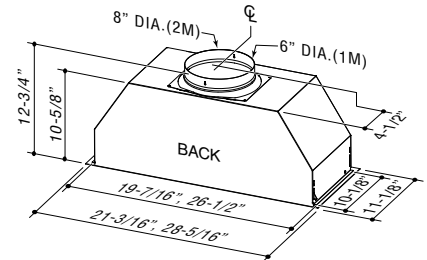
Electrical Direct Wire

Duct Size: Internal Blower 6" for P195P1M models
8" for P195P2M model

Duct Size: External Blower Not Available

Duct Direction Vertical

Backdraft Damper Included



Installation height above the cooking surface: 24"-30"

For more details see the product specifications sheet found at www.BESTRangeHoods.com





Shown with a custom-fabricated liner purchased locally

ENERGY STAR® rated hood for ducted applications provides optimum energy savings.

Heat Sentry™ detects excessive heat and adjusts speed to high automatically.

Charcoal filter option available for recirculation applications (Please note: Recirculation installations will not meet ENERGY STAR® requirements).

Works with optional Universal Make-Up Air Dampers. (The P195ES does not require make-up air per IRC M1503.4 requirements.)

Model Numbers:

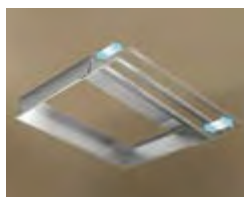
P195ES70SB



Two fluorescent lights provide bright cooktop lighting.



Variable 3-speed slider switch control enables the user to choose operating preference.



Protect cabinetry from steam and grease with stainless steel liners that provide a custom fit.

Hood Sizes

Widths	27-1/2"
Depth	11-1/4"

Finish

Stocked	Brushed Stainless Steel
Special Order	Not Available

Features

Lighting Type	Fluorescent Bulbs 13 W, G24Q-1
Number of Lamps	2
Lighting Levels	1
Lighting Lamps Included	Yes
Control Type	3-speed Slider Switch
Control Features	Heat Sentry™
Remote Control	Not Available
Filter Type	Mesh Grease Filter
Non-ducted Capability	Yes

Hood Blower Included (P195ES ENERGY STAR® Rated)

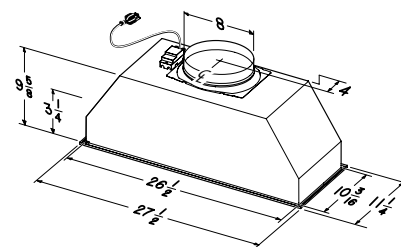
Internal Vertical	
ENERGY STAR® rated internal Blower CFM	
Low/High CFM	120/370
Sones Low/High	0.3/5.0

Accessories

Recirculation Filter	ROUNDFILTER
Liners: Optional	L7030 / L7036 / L7048
Universal MUA Dampers	MD6TU for 6" duct MD8TU for 8" duct
Fresh Air Inlets	641FA (6"), 643FA (8"), 610FA (10")

Installation Requirements

Amps @ 120V	2.8
Electrical	Cord Connected
Duct Size: Internal Blower	8" (P195ES70)
Duct Size: External Blower	Not Available
Duct Direction	Vertical
Backdraft Damper	Included



Installation height above the cooking surface: 24"-30"

For more details see the product specifications sheet found at www.BESTRangeHoods.com





Powered by the exclusive iQ Blower System™ with GPS Technology (see page 62) for the quietest, most energy efficient and fastest smoke and odor removal available in a range hood; external blowers offered separately.

Mesh lined Hi-Flow™ baffle filters provide superior grease capture to ensure a clean, fresh kitchen.

Heat Sentry™ detects excessive heat and adjusts blower speed to high automatically.

Works with optional Universal Make-Up Air Dampers.

Model Numbers:

PK2230 PK2239 PK2245 PKEX2239 PKEX2245



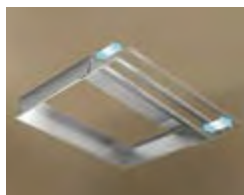
Integrated electronic controls include delay-off to continue ventilation after cooking and filter clean reminder to keep the kitchen smelling fresh.



Halogen lights provide brilliant 3-level cooktop lighting.



Use the calibration button to activate GPS Technology (see page 62).



Protect cabinetry from steam and grease with stainless steel liners that provide a custom fit.



Optional ACR3 remote control lets the busy cook stay in control from anywhere in the kitchen.

Hood Sizes

Widths	27-3/4", 36-1/2", 43-7/16"
Depth	15-13/16"
Finish	
Stocked	Brushed Stainless Steel
Special Order	Not Available

Features

Lighting Type	Halogen 50W, GU10
Number of Lamps	2 on 27" and 36" 3 on 43"
Lighting Levels	3
Lighting Lamps Included	Yes
Control Type	3-speed Plus Boost Electronic Pushbutton
Control Features	Heat Sentry™, Delay Off, Filter Clean Reminder
Remote Control	Optional ACR3
Filter Type	Hi-Flow™ Baffle Filter
Non-ducted Capability	No

Hood Blower Included (PK22)

Internal	iQ12
Blower CFM	1200
Sones Low/High	
PK2230	0.6/11.5
PK2239	0.6/11.5
PK2245	0.6/11.0

Hood Blower Options (PKEX22 blowers sold separately)

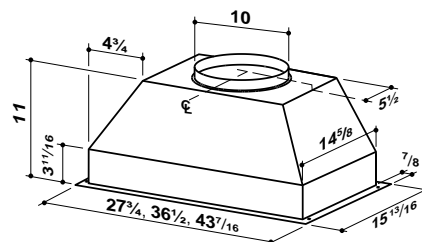
External In-line	ILB3	ILB6	ILB9	ILB11
Max CFM	280	600	800	1100
Some levels are typically half of comparable CFM internal blowers.				
External Exterior (sold separately)	EB6	EB9	EB12	EB15
Max CFM	600	900	1200	1500
Some levels are typically half of comparable CFM internal blowers.				

Accessories

Liners: Optional	AL3036, AL3042, AL3948, AL3954, AL4554, AL4560
Optional Transition	10" to 8" Reducer Model 472
Universal MUA Damper	MD6TU, MD8TU or MD10TU
Fresh Air Inlets	641FA (6"), 643FA (8"), 610FA (10")

Installation Requirements

Amps @ 120V	8.0 for PK2230, PK2239; 8.5 for PK2245
Electrical	Direct Wire
Duct Size	10"
Duct Direction	Vertical
Backdraft Damper	Included



Only PK2230, PK2239 and PK2245 have internal blowers

27-3/4" width not available in PKEX models

Installation height above the cooking surface: 24"-30"

For more details see the product specifications sheet found at www.BESTRangeHoods.com





Heat Sentry™ detects excessive heat and adjusts speed to high automatically.

Flexible blower design, choice of ten internal or external blower options offered separately.

Bright halogen lighting floods the cooktop and surrounding area for clear visibility.

Add the ambient light panel when using the optional BEST® liners.

Pro-style baffle filters provide highly effective ventilation.

Variable speed slide control with last setting memory.

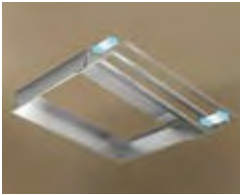
CFM Reducer Kit for P5 internal blower reduces max CFM to 250-300.

Works with optional Universal Make-Up Air Dampers.

Model Numbers:

PIK33

PIK45



Adjustable liners ensure a perfect fit in custom enclosures. See page 68.

Hood Sizes

Widths 33-3/4", 45-3/4"

Depth 18-7/16"

Finish

Stocked Brushed Stainless Steel

Special Order Not Available

Features

Lighting Type Halogen, MR16; GU10-50W

Number of Lamps 2 on 33-3/4" | 3 on 45-3/4"

Lighting Levels 1

Lighting Lamps Included Yes

Control Type Variable Speed, Slide

Control Features Heat Sentry™

Remote Control Optional WCPI

Filter Type Stainless Steel Baffle Filter

Non-ducted Capability No

Hood Blower Options (Must choose one blower sold separately)

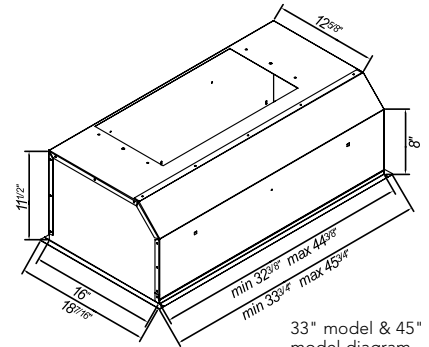
Internal	P5	P8 (for 36" or larger)		
Blower CFM	460	850		
Sones	10.0	10.0		
External In-line	ILB3	ILB6	ILB9	ILB11
Blower CFM	280	600	800	1100
Sone levels are typically half of comparable CFM internal blowers.				
External Exterior	EB6	EB9	EB12	EB15
Blower CFM	600	900	1200	1500
Sone levels are typically half of comparable CFM internal blowers.				

Accessories

Non-ducted Recirculating Kit	Not Available
Liners	Model L33 for 33-3/4" Width Model L45 for 45-3/4" Width
CFM Reducer Kit	ARP310, use with P5 blower only
Universal MUA Damper	MD6TU, MD8TU, MD10TU
Fresh Air Inlets	641FA (6"), 643FA (8"), 610FA (10")

Installation Requirements

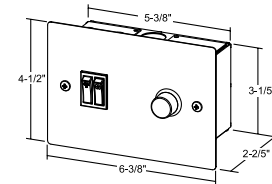
Amps @ 120V	6.0 Max
Electrical	Direct Wire
Duct Size: Internal Blower	3-1/4" x 10" (P5); x 14" (P8)
Duct Size: External Blower	10" (at hood)
Duct Direction	Vertical
Backdraft Damper	Refer to Blower



33" model & 45" model diagram shown.

Installation height above the cooking surface: 24"-30"

For more details see the product specifications sheet found at www.BESTRangeHoods.com



Optional WCPI Wall Control.

WCPI Wall-mounted Remote Control

This optional wall-mounted remote control panel provides light and blower control. The panel is finished in brushed stainless steel with black control switches. Not for use with outdoor installations.





Model shown CP57E362SB

Powered by the exclusive iQ Blower System™ with GPS Technology (see page 62) for the quietest, most energy efficient and fastest smoke and odor removal available in a range hood; external blowers offered separately.

LED lighting has an extremely long lifespan; lamps may never need replacement.

Mesh lined Hi-Flow™ baffle filters and removable grease rail provide supreme grease capture.

Works with optional Universal Make-Up Air Dampers.

Model Numbers:

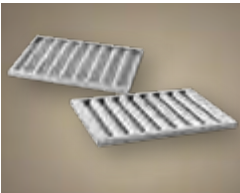
- CP55IQ369SB
- CP57IQT369SB
- CP57IQT482SB
- CP57IQT602SB
- CP57E362SB
- CP57E602SB
- CP55IQ429SB
- CP57IQT489SB
- CP57IQT542SB
- CP57IQT662SB
- CP57E482SB



Integrated electronic controls include delay-off to continue ventilation after cooking and filter clean reminder to keep the kitchen smelling fresh.



LED lighting produces beautiful bright, clean light using minimal energy.



Hi-Flow™ baffle filters for excellent ventilation efficiency.



Optional ACR3 remote control lets the busy cook stay in control from anywhere in the kitchen.

Hood Sizes

iQ Blower Widths

CP55IQ & CP57IQ: 34-3/8", 40-3/8" in 19-1/4" depth
CP57IQ: 34-3/8", 46-3/8", 52-3/8", 58-3/8", 64-7/8" in 19-1/4" and 22-1/2" depths

External Blower Widths

CP57EX: 34-3/8", 46-3/8", 58-3/8" in 22-1/2" depth

Finish

Stocked Brushed Stainless Steel
 Special Order Not Available

Features

Lighting Type	LED 6-watts
Number of Lamps	2 on 36", 42" and 48" 4 on 54", 60" and 66"
Lighting Levels	1
Lighting Lamps Included	Yes
Control Type	3-speed Plus Boost Electronic Pushbutton
Control Features	Heat Sentry™, Delay Off, Filter Clean Reminder
Remote Control	Optional ACR3
Filter Type	Hi-Flow™ Baffle Filter
Non-ducted Capability	Yes for CP55

Hood Blower Included (CP55IQ) (CP57IQ)

Internal	iQ6*	iQ12
Blower CFM	600	1200
Sones Low/High	0.3/8.5	0.3/10.0

Hood Blower Options (CP57E blowers sold separately)

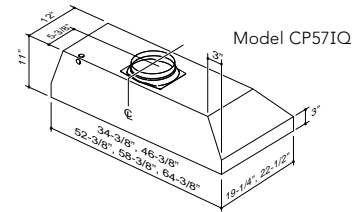
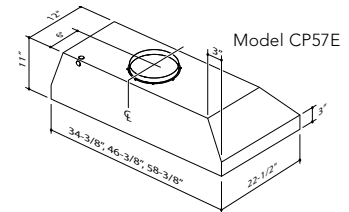
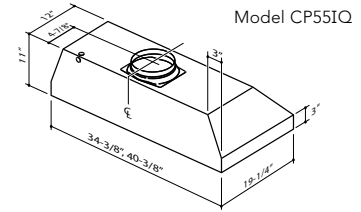
External In-line	ILB3	ILB6	ILB9	ILB11
Max CFM	280	600	800	1100
Some levels are typically half of comparable CFM internal blowers.				
External Exterior	EB6	EB9	EB12	EB15
Max CFM	600	900	1200	1500
Some levels are typically half of comparable CFM internal blowers.				

Accessories

Non-Duct Kit	ANKCP55, for CP55 only
Non-Duct Filter	AFCROUND2 for CP55
Universal MUA Damper	MD6TU, MD8TU, MD10TU (Requires Fresh Air Inlet)
Fresh Air Inlet	641FA, 643FA, 610FA

Installation Requirements

Amps @ 120V: Internal Blower	CP55IQ: 4.7, CP57IQT: 8.3
Amps @ 120V: External Blower	CP57E: 7.0
Electrical Connection	Direct Wire
Duct Size: Internal Blower	iQ6: 8", iQ12: 10"
Duct Size: External Blower	10"
Duct Direction	Vertical
Backdraft Damper	Included



Only the 46-3/8" width is available in both depths

Installation height above the cooking surface: 24"-30"

For more details see the product specifications sheet found at www.BESTRangeHoods.com



*If needed, ask a recommended installer to limit discharge to 300 or 400 CFM.





Heat Sentry™ detects excessive heat and adjusts speed to high automatically.

Works with optional Universal Make-Up Air Dampers.

Available only in the U.S.

Separate On/Off speed control gives you the convenience of automatically remembering favorite setting.

Model Numbers:

- CP34I309SB
- CP34I429SB
- CP35I369SB
- CP37I482SB
- CP34I369SB
- CP35I309SB
- CP35I429SB



The Custom Hood Liner easy install system comes with liner, blower, filtration, controls, lighting and damper.



Rotary controls for two-level lighting and variable blower speeds enable the user to choose operating preferences.

Hood Sizes

Widths	28-3/8", 34-3/8", 40-3/8" on CP34, CP35 46-3/8" on CP37
Depths	19-1/4" on CP34, CP35 22-1/2" on CP37

Finish

Stocked	Brushed Stainless Steel
Special Order	Not Available

Features

Lighting Type	Halogen, MR16; GU10-50W
Number of Lamps	2
Lighting Levels	2
Lighting Lamps Included	Yes
Control Type	Variable Speed, Rotary with Separate On/Off Control
Control Features	Heat Sentry™
Remote Control	Not Available
Filter Type	Stainless Steel Baffle Filter
Non-ducted Capability	No

Hood Blower Included (CP3)

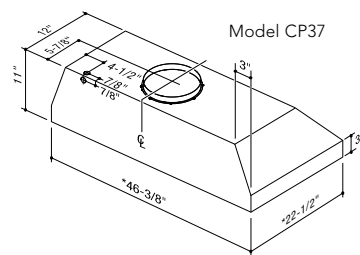
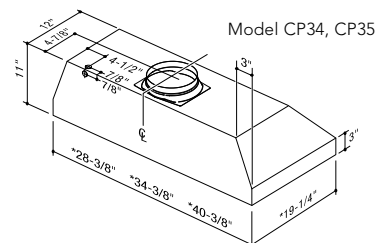
Internal Blower Model	CP34	CP35	CP37
Blower CFM Low/High	130/290	190/600	380/1200
Sones Low/High	3.0/11.5	2.0/12.0	2.0/13.5

Accessories

Non-ducted Recirculating Kit	Not Available
Liners	Not Available
Universal MUA Damper	MD6TU, MD8TU, MD10TU
Fresh Air Inlet	641FA, 643FA, 610FA

Installation Requirements

Amps @ 120V	9.0 Max
Electrical	Direct Wire
Duct Size: Internal Blower	CP34 & CP35: 8", CP37: 10"
Duct Direction	Vertical
Backdraft Damper	Included

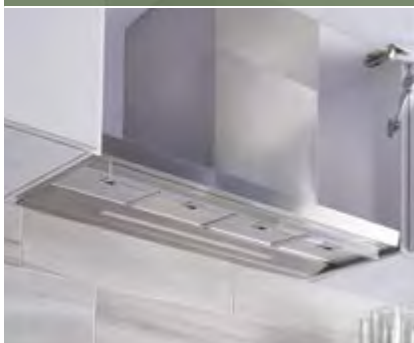


Installation height above the cooking surface: 24"-30"

For more details see the product specifications sheet found at www.BESTRangeHoods.com

*Allow 1/8" clearance on all measurements





Riporre mounts inside the cabinet for the ultimate in hidden kitchen ventilation.

Infrared touch-free control senses the finger; 10-minute delay-off and filter clean reminder ensure a clean, fresh kitchen.

LED module provides bright, even lighting over cooktop.

Quick release, stainless-steel with mesh grease filters are dishwasher safe.

Heat Sentry™ detects excessive heat and adjusts blower to high automatically.

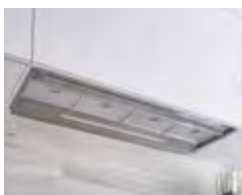
Compatible with optional Universal make-up air dampers.

Recirculation kit available when ducting outside is not possible.

Model Numbers:

CC45I90SB

CC45E90SB



Hood mounts inside custom cabinetry; only the control panel shows.



Four-speed, IR touch-free control.



LED module has three light levels.



Dishwasher safe stainless steel with mesh grease filters.



Optional ACR3 remote control lets the busy cook stay in control from anywhere in the kitchen.

Hood Sizes

Widths	34"
Depth	13"

Finish

Stocked	Brushed Stainless Steel
Special Order	Not Available

Features

Lighting Type	LED, 950 Lumens, 3000–3500K
Number of Lamps	1, LED strip
Lighting Levels	3
Lighting Lamps Included	Yes
Control Type	4-speed IR Touch
Control Features	Heat Sentry™, 10-minute Delay-off, Filter Reminder
Remote Control	Optional ACR3
Filter Type	Stainless Steel with Mesh Grease Filter
Non-ducted Capability	Yes

Hood Blower Included (CC45I)

Internal	Centrifugal Blower
Blower CFM Low/High	200/500
Sones Low/High	0.8/7.5

Hood Blower Options (for CC45E—sold separately)

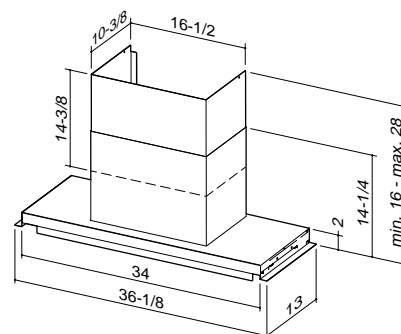
External In-line	ILB3	ILB6	ILB9	ILB11
Max CFM	280	600	800	1100
Some levels are typically half of comparable CFM internal blowers.				
External Exterior	EB6	EB9	EB12	EB15
Blower CFM	600	900	1200	1500
Some levels are typically half of comparable CFM internal blowers.				

Accessories

Flue Extension	AECC45SB
Non-ducted Kit	ANKCC45 (Internal only)
Non-ducted Filter	AFCCC45
Universal MUA Damper	MD6TU, MD8TU, MD10TU
Fresh Air Inlet	641FA, 643FA, 610FA

Installation Requirements

Amps @ 120V: Internal Blower	3.2
Amps @ 120V: External Blower	0.2
Electrical	Direct Wire
Duct Size: Internal Blower	8"
Duct Size: External Blower	8"
Duct Direction	Vertical
Backdraft Damper	Included



Installation height above the cooking surface: 24"–30"

For more details see the product specifications sheet found at www.BESTRangeHoods.com





Power packs for custom application—cabinet mount.
Electronic push button controls with LED.
Four ventilation speeds.

Two-intensity exclusive PURLED™ lighting: two 5.5 watt LED modules (included).
5-minute delay function.
Dishwasher-safe low-profile baffle filters.
Filter maintenance indicator.

Heat Sentry™ detects excessive heat and adjusts speed to high automatically.

Model Numbers:

CC65128SB

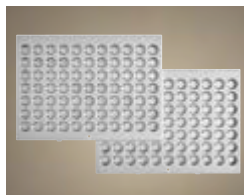
CC67128SB



PURLED™ light system boosts light output, distributes light better and improves energy-efficiency.



Backlit electronic push button controls.



Easy-to-install low-profile baffle filters.

Hood Sizes

Widths 28-1/8"
Depth 14-3/4"

Finish

Stocked Brushed Stainless Steel
Special Order Not Available

Features

Lighting Type	PURLED™ 5.5 watt, 1100 Lumens, 3000K
Number of Lamps	2
Lighting Levels	2
Lighting Lamps Included	Yes
Control Type	3-speed Electric Push Button
Control Features	Heat Sentry™, Delay-off
Remote Control	Not Available
Filter Type	Mini Baffle
Non-ducted Capability	No

Hood Blower Included

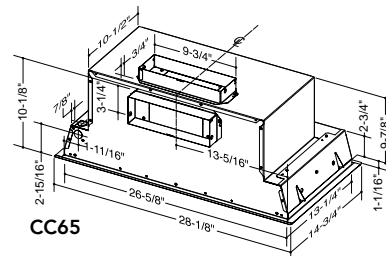
Internal	CC65	CC67
	Single	Dual
Blower CFM Vertical	210/600	370/1000
Sones	1.1/8.5	1.5/12.0

Accessories

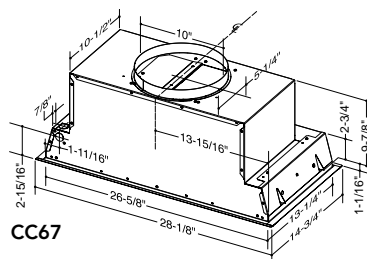
Custom Liners 30"–ALCC630SB, 36"–ALCC636SB, 42"–ALCC642SB

Installation Requirements

Amps @ 120V	6.0/9.5
Electrical	Direct Wire
Duct Size: Internal Blower	3-1/4" x 10" V or H 10" round / Vertical only
Backdraft Damper	Included



CC65



CC67

Installation height above the cooking surface: 24"–30"

For more details see the product specifications sheet found at www.BESTRangeHoods.com





Manually extend the glass visor to activate the fan and lighting.

Quick release, dishwasher-safe, stainless steel with mesh grease filters ensure a clean, fresh kitchen.

Heat Sentry™ detects excessive heat and adjusts speed to high automatically.

10-minute time-delay shut-off feature and reminder light for filter maintenance.

Charcoal filter kits are available when recirculating air into the

kitchen is desired (duct work required).

CFM Reducer Kit for internal blower reduces max CFM to 250–300.

Works with optional Universal Make-Up Air Dampers.

Model Numbers:

U10230SBI

U10236SBI

U10242SBE



The U102 features electronic 4-speed pushbutton controls with an easy-to-read blue digital display.

Hood Sizes

Widths	42"
Depth	12-3/4"–18-1/2"

Finish

Stocked	Brushed Stainless Steel
Special Order	Not Available

Features

Lighting Type	Halogen, G4-20W
Number of Lamps	2
Lighting Levels	2
Lighting Lamps Included	Yes
Control Type	4-speed Pushbutton
Control Features	Heat Sentry™, Delay Off, Filter Timer
Remote Control	Not Available
Filter Type	Stainless Steel with Mesh Grease Filter
Non-ducted Capability	Yes

Hood Blower Included (U102I)

Internal	
Blower CFM	500
Sones	10.0

Hood Blower Options (U102E blowers sold separately)

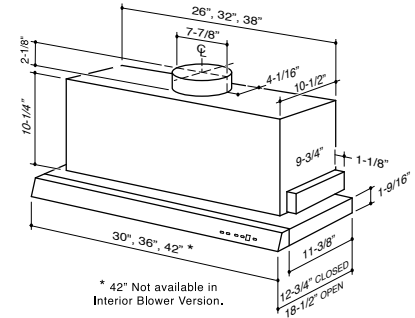
External In-line	ILB3	ILB6	ILB9	ILB11
Max CFM	280	600	800	1100
Some levels are typically half of comparable CFM internal blowers.				
External Exterior	EB6	EB9	EB12	EB15
Blower CFM	600	900	1200	1500
Some levels are typically half of comparable CFM internal blowers.				

Accessories

Non-ducted Recirculating Kit	ANKU10
CFM Reducer Kit	ARP8
Universal MUA Damper	MD6TU, MD8TU, MD10TU (Requires Fresh Air Inlet)
Fresh Air Inlet	641FA, 643FA, 610FA

Installation Requirements

Amps @ 120V	3
Electrical	Direct Wire
Duct Size: Internal Blower	8"
Duct Size: External Blower	8" at hood (Transition to 10" typical, see pages 66–67)
Duct Direction	Vertical
Backdraft Damper	Included



Installation height above the cooking surface: 22-1/2"–30"

Not recommended for use with gas or electric grills

For more details see the product specifications sheet found at www.BESTRangeHoods.com





Shown: TIRARE U102.
See page 60
for specifications.



Three keys to maximizing quiet operation.

Because of the design of the iQ blower, it inherently operates at a considerably quieter rating than traditional blowers. In fact, it's up to two times more quiet than standard blowers. Three key features make it possible.

1. **Blower housing design** that lowers airflow turbulence, reducing sound at high speeds.
2. **Blower wheel design** that delivers greater airflow at lower RPMs.
3. **A digital DC motor**, balanced to minimize vibration typically found in AC motors.

Technology built for energy efficiency. Advanced DC motor technology is at the heart of the iQ blower. This balanced, digital motor uses as little as 8 watts of power. Its built-in control board optimizes blower speed so it's not over-working. The result is up to 22 times more energy efficiency than standard blowers—savings you'll continue to see over the life of the product.

Nothing surpasses BEST® iQ blowers in performance, sound and energy use.

There are great advantages to the iQ Blower System™ that make your life more comfortable and ensure confidence in the operation and effectiveness of your BEST range hood. Standard range hoods lose performance due to the home's duct system which reduces the speed of smoke and cooking odor removal. iQ blowers with GPS calibration enable up to 30% faster smoke removal. For the first time, a range hood delivers the performance you expected—and paid for.

Flexible operation in three modes.

State-of-the-art iQ technology offers operational flexibility based on your unique installation. Whether optimizing duct runs in a new home or dealing with the challenges of an existing installation, the iQ blower delivers impressive performance, regardless of the mode in which you use it. Here's how:

1. Full-rated Performance from the iQ Blower System™ is assured with Guaranteed Performance System (GPS) technology and the use of specified duct sizes. The hood self-calibrates to the installation at the push of a button. From there, the blower goes to work ensuring optimal CFM is achieved and meets the ratings specified.

2. Peak Performance in restricted or limited duct installations is possible with the use of GPS. If the duct system design requires smaller sizes than recommended, iQ takes into account the duct restrictions and calibrates to the highest (peak) CFM possible. That means the performance level achieved is significantly greater than that of standard hoods without the iQ System. The iQ blower can be recalibrated at any time to ensure the range hood is delivering the performance you expect.

3. Standard Performance enables you to install and use the range hood at factory settings. This delivers the performance found in our standard high pressure blowers which have led the industry for decades.

Performance with confidence.

Builders, designers and consumers... you should not have to compromise performance to meet unique application or code requirements. BEST™ introduces our NEW Code Ready Technology (CRT) a feature offered in BEST™ Ispira models and models with the iQ6 blower. CRT allows the installer to set the maximum blower speed to achieve the right level of performance in one convenient model. This technology is another solution to address local codes or make-up air requirements. Design to your specs and let BEST handle the rest.

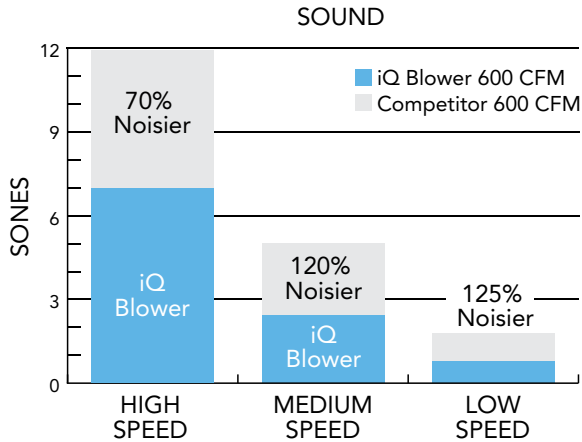
BEST™ introduces our NEW Code Ready Technology (CRT), a feature offered in BEST™ Ispira models and models with the iQ6 blower.

CRT provides the ability to set the maximum blower speed in conformance with State and local make-up air regulations.

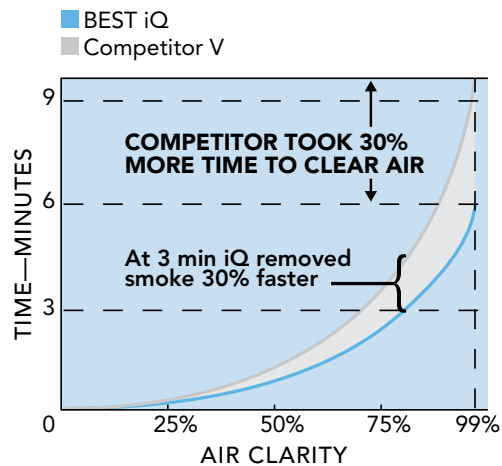
BEST® iQ Blower System™

Intelligent, quiet and energy efficient.

Hear the difference. Whether operating at different speeds, a BEST iQ Blower System™ is much more quiet than competing blowers in its class.

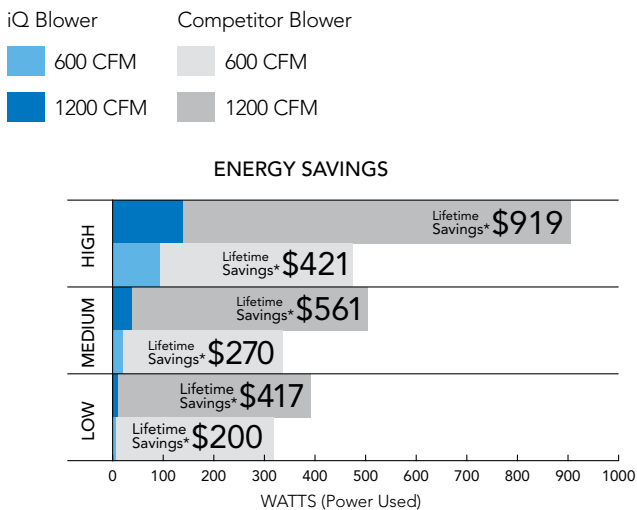


Clear the air faster. Independent tests prove that the BEST iQ Blower System™ will clear the air up to 30% faster than competing blowers with similar CFM rating.



Energy savings add up quickly. Whether you choose a 600 or 1200 CFM iQ blower, the savings add up over the lifetime of the product.

1800 cubic feet of smoke cleared from a 10 x 10 x 9 foot room, using the same size hoods, at the same rated CFM, with the same ductwork.



FlexBlower System for Cattura™



Ten ducting options open up your design possibilities. Because the FlexBlower system enables multiple positioning options, you can install the blower under the floor, in a side or rear cabinet for installations that incorporate ovens, or to open up cabinet space under the cooking surface. That kind of flexibility opens up a whole new way to look at kitchen design.

BLOWER Selection Guide for Cattura Downdraft

Model	Width	Type of Residential Cooking Surface	Blower Connection to Downdraft				Recommended Blower Type										
			Front Mount Blower	Front Duct Outlet	Rear or Side Single Outlet	Dual Outlet	With Up to 50' of Equivalent Duct					With 51' to 100' of Equivalent Duct					Recirculation
							Flex Blower	Exterior Blower			InLine Blower	Flex Blower	Exterior Blower			InLine Blower	
PF6	EB9	EB12	EB15	ILB11	PF6	EB9	EB12	EB15	ILB11	PF6	EB9	EB12	EB15	ILB11	PF6		
D49M30SB D49M30BLS	30"	Electric or Induction	A	B	C	—	ABC	BC	—	—	BC	ABC	—	BC	—	—	AC
		Gas up to 60K Btu	A	B	C	D	ABC	BD	—	—	BC	ABC	—	BD	—	—	AC
		Gas 60K to 90K Btu	A	B	C	D	ABC	—	—	—	BC	ABC	—	BD	—	—	AC
		Gas over 90K Btu	A	B	C	D	AB	—	BD	—	—	AB	—	—	BD	—	AC
		Any Surface with Grill, Griddle, or large wok burner	—	B	—	D	—	—	—	BD	—	—	—	—	BD	—	—
D49M36SB D49M36BLS	36"	Electric or Induction	A	B	C	—	ABC	B	—	—	BC	ABC	—	BC	—	—	AC
		Gas up to 60K Btu	A	B	C	D	ABC	BD	BC	—	BD	ABC	—	BD	—	—	AC
		Gas 60K to 90K Btu	A	B	C	D	ABC	—	BC	—	BD	ABC	—	BD	C	—	AC
		Gas over 90K Btu	A	B	C	D	AB	—	BD	—	—	AB	—	—	BD	—	AC
		Any Surface with Grill, Griddle, or large wok burner	—	B	—	D	—	—	—	BD	—	—	—	—	BD	—	—
D49M48SB	48"	Electric or Induction	A	B	C	D	ABC	BD	C	—	BD	ABC	—	BDC	—	—	AC
		Gas up to 60K Btu	A	B	C	D	ABC	BD	C	—	BD	AB	—	BD	C	—	AC
		Gas 60K to 90K Btu	A	B	C	D	AB	—	BD	—	—	AB	—	B	D	—	AC
		Gas over 90K Btu	A	B	C	D	—	—	B	D	—	—	—	—	BD	—	AC
		Any Surface with Grill, Griddle, or large wok burner	—	B	—	D	—	—	—	BD	—	—	—	—	BD	—	—

Front Mount Blower



Blower attached can rotate for left, right or downward discharge.

Front Duct Outlet



Duct transition in front of downdraft to blower installed below the floor line.

Side Single Outlet*



In-cabinet blower placement, left or right side.

Transition through cabinet to blower installed below the floor line.



Transition through cabinet to blower installed below the floor line.

Rear Single Outlet*



Remote transition behind the downdraft to blower installed above the floor line.

Remote transition behind the downdraft to blower installed below the floor line.



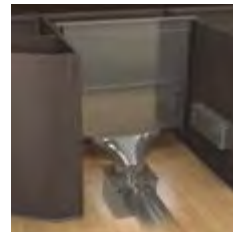
Remote transition behind the downdraft to blower installed below the floor line.

Dual Outlet



Dual transition outlets for use with EB15 Exterior Blower.

Bottom Exhaust



Transition from bottom of downdraft to blower installed below the floor line.

Recirculation



Non-ducted recirculation kit can be located in the toe-kick space.

Installation Recommendations

1. AEWD5 5-foot extension cable for electrical panel: Use two if the panel is mounted more than two feet away from the downdraft.
2. Use front duct outlet and exterior blower EB15 for 48" range-top applications or those with a grill. See page 67.
3. Use dual outlets and the EB15 exterior blower for 48" professional slide-in ranges or ranges with a grill. See page 67.

*Some blower applications may require deeper cabinets. Refer to Installation Instructions.

Internal Blowers



BEST® Internal blowers provide exceptional performance and comfortable sound levels. Durable construction features meet the needs of professional-style cooking appliances found in today's homes. The table below will help you select a blower matched to the heat output of your range hood. See page 74 for more information on selecting the right blower for your range or cooking style.

Series	P5	P6	PF6 [#]	iQ6	P8	P12	PF12NA	iQ12	P3*	PF3
Type	Internal	Internal	Internal	Internal	Internal	Internal	Internal	Internal	Internal	Internal
Vertical CFM/Sones	460 / 10	600 / 9.5	600 / 8.8 ²	600 / 7.5	850 / 10.5	1200 / 12	1200 / 13	1200 / 10	300 / 3.5	300 / 3.5
Horizontal CFM/Sones	500 / 10	600 / 9.5	600 / 8.8 ²	600 / 7.5	900 / 10	1200 / 12	1200 / 13	1200 / 10	300 / 3.5	300 / 3.5
Duct Size⁺	3-1/4"x10"	8" Round	8" Round, 10" Round, 1-7/8"x19"	8" Round	3-1/4"x14"	10" Round	10" Round	10" Round	8" Round	8" Round, 10" Round, 1-7/8" x 19"
Recommended Transition	412H	NA	AVDKD8, AVDKD10	NA	459	NA	NA	NA	NA	AVDKD8, AVDKD10
Duct Direction	Vert. or Hor.	Vert. or Hor.	Vert. or Hor.	Vert. or Hor.	Vert. or Hor.	Vert. or Hor.	Vert. or Hor.	Vert. or Hor.	Vert. or Hor.	Vert. or Hor.
Backdraft Damper	Yes	Yes	No	Yes	Yes	Yes	No	Yes	Yes	No
Amps at 120V	1.8	3	3	3.8	3.4	6	6	7.6	3	3
Motor Type¹	Single Speed	Single Speed	Four Speed	BLDC	Single Speed	Single Speed	Single Speed	BLDC	Single Speed	Four Speed
Hood Compatibility	PIK, UP26M	IP29**, UP26M**, UP27M**, WP28M, WP29M	D49M DC54	IP29**, UP26M**, UP27M**, WP28M, WP29M	PIK, UP26M36, UP26M42, UP26M48	IP29**, WP28M, WP29M, WPD39M**	WTD9M, CPD9M	IP29**, WP28M, WP29M,	IP29**, UP26M**, UP27M**, WP28M, WP29M	DC54

¹ All BEST® blower motors are thermal overload protected.

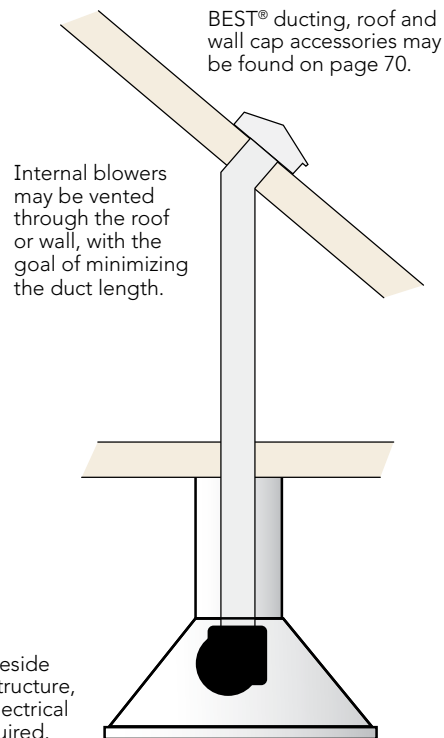
² As tested in D49M.

[#] Specially designed blower and housing for Cattura and Slot downdrafts.

* For CFM restricted applications capture may be reduced.

⁺ See Specifications on pages 76–85.

** Vertical duct direction only.



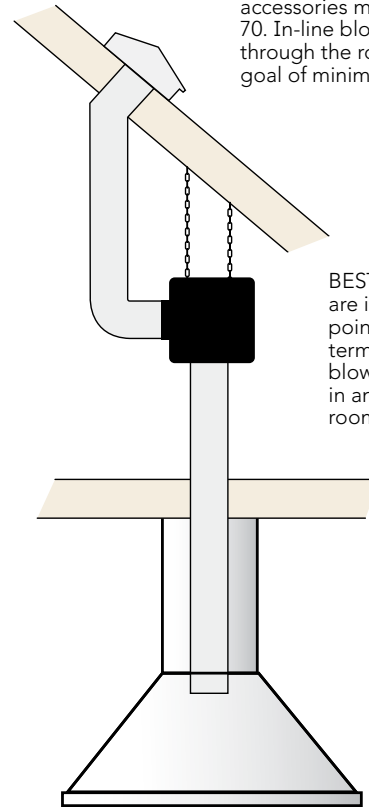
External In-Line Blowers



BEST® In-line blowers provide exceptional performance and reduced sound levels by moving the blower mechanism away from the point of use. Durable, sealed blowers meet the rigorous needs of professional-style cook tops and ranges. The table below will help you select an in-line blower matched to the heat output of your range hood. See page 74 for more information on selecting the right blower for your range or cooking style.



BEST® ducting, roof and wall cap accessories may be found on page 70. In-line blowers may be vented through the roof or wall, with the goal of minimizing the duct length.



BEST® In-line blowers are installed between the point of use and the duct termination point. In-line blowers may be installed in an attic space, utility room or crawl space.

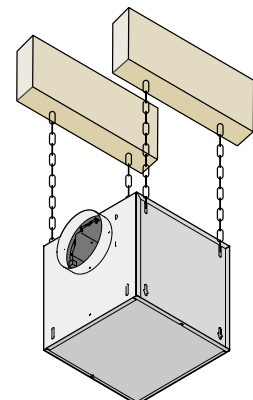
Electrical connections to both the hood and the in-line blower are required.

Series	ILB3	ILB6	ILB9	ILB11
Type	In-line	In-line	In-line	In-line
Straight Through CFM	280	600	800	1100
Right Angle CFM	260	600	700	1000
Unit Dimensions ³ W"x D"x H"	12¼×12¼×11¾	21½×12¼×11¾	22×18×18	22×18×18
Duct Inlet ¹ /Outlet	8" or 10" / 8" round	10" / 10" Round	10" / 10" Round	10" / 10" Round
Duct Direction	Vert. or Hor.	Vert. or Hor.	Vert. or Hor.	Vert. or Hor.
Backdraft Damper	Yes	Yes	Yes	Yes
Amps at 120V	2.7	2.9	3.0	5.0
Motor Type ²	Single Speed	Single Speed	Single Speed	Single Speed
Hood Compatibility ¹	IP29, UP26M, UP27M, WP28M, WP29M, PIK, All EX & E models	IP29, UP26M, UP27M, WP28M, WP29M, PIK, All EX & E models	IP29, UP26M, UP27M, WP28M, WP29M, PIK, All EX & E models	IP29, UP26M, UP27M, WP28M, WP29M, PIK, WPD39M, All EX & E models

¹ Most "EX" & "E" models require a transition (model 414) from 8" to 10" for use with External Blowers. BEST® blowers are designed and UL Certified for use with BEST® products only.

² All BEST® blower motors are thermal overload protected.

³ For more detailed information visit BESTRangeHoods.com



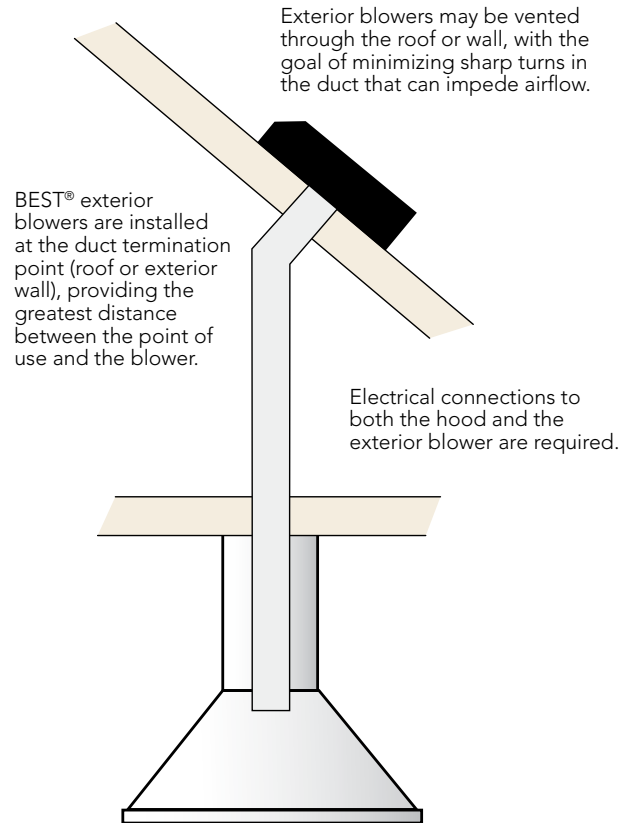
Suspending the in-line blower with a chain mounting kit (included) is recommended to minimize noise and vibration.

External Exterior Blowers



BEST® Exterior blowers provide exceptional performance and minimal sound levels by moving the blower to an exterior wall or the roof. Exterior blowers will handle the rigorous needs of professional-style cook tops and ranges. Durable, sealed blower housings are crafted from weather-resistant aluminum and can be painted to match the roof or wall color scheme. The table below will help you select an exterior blower matched to the heat output of your range hood. See page 74 for more information on selecting the right blower for your range or cooking style.

Series	EB6	EB9	EB12	EB15
Type	Exterior	Exterior	Exterior	Exterior
Vertical CFM/Sones	600 / NA	900 / NA	1200 / NA	1500 / NA
Horizontal CFM/Sones	NA*	NA*	NA*	NA*
Duct Size ¹	10" Round	10" Round	10" Round	10" Round
Duct Direction	Vertical*	Vertical*	Vertical*	Vertical*
Backdraft Damper ²	Yes	Yes	Yes	Yes
Amps at 120V	2.4	5.7	3	4.3
Motor Type ³	Single Speed	Single Speed	Single Speed	Single Speed
Hood Compatibility ¹	IP29, UP26M, UP27M, WP28M, WP29M, PIK, All EX & E models	IP29, UP26M, UP27M, WP28M, WP29M, PIK, All EX & E models	IP29, UP26M, UP27M, WP28M, WP29M, PIK, WPD39M, All EX & E models	IP29, UP26M, UP27M, WP28M, WP29M, PIK, WPD39M, All EX & E models



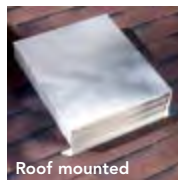
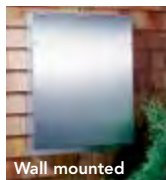
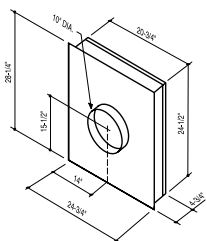
¹ Most "EX" & "E" models require a transition (model 414) from 8" to 10" for use with External Blowers. BEST® blowers are designed and UL Certified for use with BEST® products only.

² In cold climates, a separate In-line damper (model 421) is recommended.

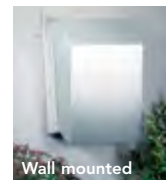
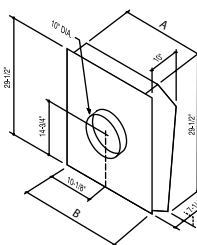
³ All BEST® blower motors are thermal overload protected.

* Exterior Blower duct connection can be attached to the back (horizontal) of the WP29M.

EB6 and EB9



EB12 and EB15



Model	Width "A"	Width "B"
EB12	22"	18"
EB15	25"	21"

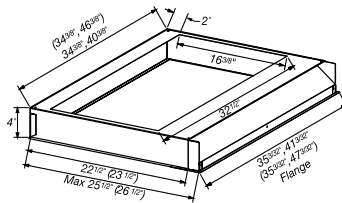
Liners

BEST® Liners provide a beautiful way to finish your custom hood and protect your cabinetry. Designed to work with the BEST Pro-Insert and Power Packs, liners feature a 3" adjustable nose to provide application flexibility, and a 4" depth for excellent capture. To highlight the beauty of your cooking appliance, our optional ambient lighting panel is a perfect addition. It works with your under-cabinet lighting, and can be added to any BEST Liner.

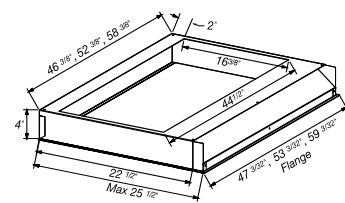
Liners for PIK Pro-Style Insert

- Brushed Standard Stainless Steel finish
- 36", 42", 48", 54" and 60" widths
- Adjustable nose for depths from 22-1/2" to 25-1/2"
- Optional ambient light pane

**L3336S, L3342S
for PIK33 Pack**



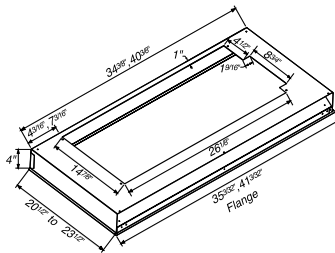
**L4548S, L4554S, L4560S
for PIK45 Pack**



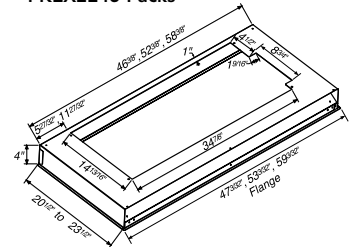
Liners for PK22

- Brushed Standard Stainless Steel finish
- 36", 42", 48", 54" and 60" widths
- Flexible design allows 20-1/2" to 23-1/2" depth adjustment

**AL3036, AL3042
for PK2230 Pack**



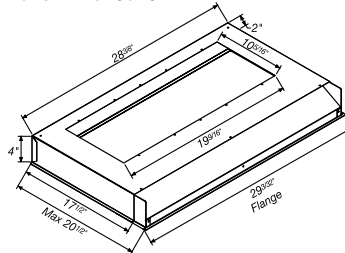
**AL3948, AL3954, AL4554, AL4560
for PK2239, PKEX2239, PK2245,
PKEX2245 Packs**



Liners for P195P and P195ES

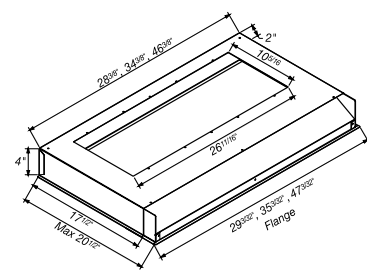
- Brushed Standard Stainless Steel finish
- 30", 36" and 48" widths
- Flexible design allows 17-1/2" to 20-1/2" depth adjustment
- Optional ambient light panel

**L5230 for P1951M52SB
and P195E52SB**



**L7030, L7036, L7048
for P195E70SB**

**L7036, L7048 for P1951M70SB
and P1952M70SB**



Flue Extensions



Optional flue extensions for up to 11' ceiling applications are available for most Chimney and Island range hoods. For Professional-Style hoods, a soffit flue adds vertical height to the top of the hood.

Chimney Flue Extensions

- Seamless construction.
- Designed for ducted applications unless specifically noted.
- Hood matching finishes.
- Replaces the upper section of standard flue extension that comes with hood.
- Island flue extensions also include an upper skeleton for mounting to the ceiling.

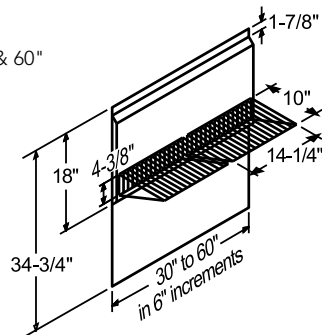


Backsplashes

A backsplash provides a dramatic and functional backdrop for your BEST® wall-mounted range hood. When protection is needed, a backsplash is an easy-to-clean option to materials such as tile and stone.

RMP



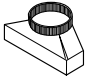




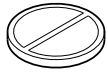
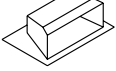

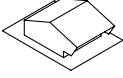
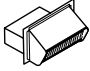






- Fits Models: UP26, WP28
- Height: 33-1/2"
- Width: 30", 36", 42", 48", 54" & 60"
- Finish: Standard Stainless Steel





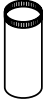
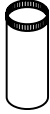




Duct Accessories

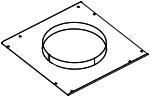
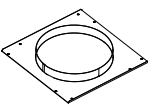
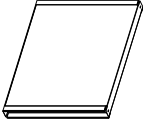
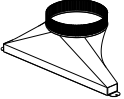
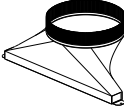

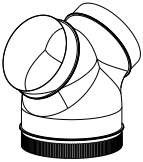
BEST® ductwork accessories are matched to our range hood requirements. These elbows, extensions and duct transition

accessories ensure proper air flow and volume requirements. Refer to individual product requirements for more details.

<p>412H</p>  <p>3-1/4" x 10", to 7" round, vertical</p>	<p>413</p>  <p>3-1/4" x 10", to 8" round, vertical</p>	<p>459</p>  <p>3-1/4" x 14", to 8" round, vertical</p>	<p>414</p>  <p>8" to 10" round</p>	<p>472</p>  <p>10" to 8" round reducer</p>	<p>T487</p>  <p>8" to 7" round reducer</p>	<p>T486</p>  <p>8" to 6" round reducer</p>	<p>421</p>  <p>10" In-Line damper Install only into vertical duct section</p>
<p>437</p>  <p>Roof, 10" round, black</p>	<p>441</p>  <p>Wall 10" round, paintable</p>	<p>634</p>  <p>Roof, 6" to 8" round, or 3-1/4" x 10", black</p>	<p>639 (WC638)</p>  <p>Wall, 3-1/4" x 10", aluminum (Wall, 3-1/4" x 14", painted black)</p>	<p>641</p>  <p>Wall, 6", aluminum</p>	<p>610FA</p>  <p>10" fresh air duct</p>	<p>643FA</p>  <p>8" fresh air duct</p>	<p>641FA</p>  <p>6" fresh air duct</p>
<p>643</p>  <p>Wall, 8", aluminum</p>	<p>647</p>  <p>Wall, 7", aluminum</p>						

Elbow Model				Duct Model			
<p>419</p>  <p>6" round</p>	<p>415</p>  <p>7" round</p>	<p>432</p>  <p>8" round elbow</p>	<p>418</p>  <p>10" round</p>	<p>406</p>  <p>6" round, smooth, 2' section</p>	<p>407</p>  <p>7" round, smooth, 2' section</p>	<p>408</p>  <p>8" round, smooth, 2' section</p>	<p>410</p>  <p>10" round, smooth, 2' section</p>

BEST® Cattura™ Downdraft Ducting Accessories

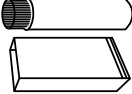



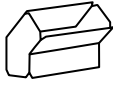


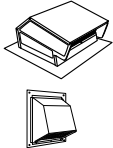
Front Panels		Rectangle	Transitions		Rectangular Adaptor	"Y" transition
<p>ACVPD8</p>  <p>8" round</p>	<p>ACVPD10</p>  <p>10" round</p>	<p>AEDD2</p>  <p>1 7/8" x 19"; 2' section</p>	<p>AVDKD8</p>  <p>1 7/8" x 19" to 8" round</p>	<p>AVDKD10</p>  <p>1 7/8" x 19" to 10" round</p>	<p>AVDKD219</p>  <p>1 7/8" x 19"</p>	<p>AVDKD8810</p>  <p>2 x 8" round & 10" round</p>

Duct Length Estimator

The ductwork system can have a significant impact on product performance. To simplify estimating and total duct length, use this duct estimation table for every installation.

Capture job-specific information in the two right columns to ensure you account for all materials and accurately estimate the equivalent duct length.

Duct Length Estimator*

Duct Type		Duct Variations	Equivalent Length (L)	Quantity (or Length)	Total Length (Equivalent L x QTY)
1' Straight Duct; Round or Rectangular (any dimension)		Smooth	1'		
		Flex (or not smooth)	2.5'		
90° Round Elbow (any dimension)		Good (5 section)	7'		
		Bad (3 section)	17'		
45° Round Elbow (any dimension)		Good (3 section)	4'		
		Bad (mitered)	11'		
90° Rectangular Elbow (3-1/4" x 10" or 14")		Good (smooth)	4'		
		Bad (mitered)	24'		
45° Rectangular Elbow (3-1/4" x 10" or 14")		Good (smooth)	3'		
		Bad (mitered)	9'		
Round (R) to Rectangular Transition		6" (R) to 3-1/4" x 10"	1'		
		3-1/4" x 10" to 6" (R)	4'		
		6" (R) to 3-1/4" x 14"	4'		
		3-1/4" x 14" to 6" (R)	14'		
		8" (R) to 3-1/4" x 10"	4'		
		3-1/4" x 10" to 8" (R)	2'		
Round to Round Transition		6" to 8"	4'		
		8" to 6"	5'		
		8" to 10"	3'		
		10" to 8"	6'		
Roof or Wall Cap (any duct size)		Average	25'		
Total					

* This duct length estimator assumes use of duct size equivalent to the duct outlet on the range hood. Reducing duct size will increase equivalent duct length significantly which reduces product performance.

CFM Reducer Kits

CFM Reducer Kits are available for select BEST® Range Hoods. A reducer kit enables you to install a ducted BEST Range Hood without having to install a make-up air damper. Building codes in some municipalities may require a make-up air damper in range hood installations over 300 CFM*. Reducing the CFM capability of the hood is accomplished with the addition of a simple metal plate, which can be

removed just as easily should codes change in the future. Note that when lowering CFM capability the range hood may not be able to ventilate all moisture, heat and cooking by-products and it may operate at a higher sound level. Consider how you cook and the heat output of your range before adding a CFM reducer kit.

Model Number	ARP6	ARP8	ARP314	ARP310
K3139	•			
K34	•			
WP29 + P6		•		
UP27M + P6			•	
PIK + P5				•
CP55IQ		•		
CP35		•		
WP28M + P6		•		
UP26M + P6		•		
P195P1M	•			

*Always refer to and follow your local building codes.

Designed for Flexibility

Meet code. Save time and money. Expand design flexibility. Our Code Ready Technology allows for uncompromised performance and design. Code Ready Technology is a feature offered in BEST products with iQ6 and select HP blowers. This technology allows the freedom for an installer to set the maximum blower speed to achieve the right level of

performance, offering another solution to address local codes or make-up air requirements. CRT technology provides this option as another way to enjoy the performance you expect from a BEST™ range hood.



Reversible Telescopic Flues

Some BEST® range hoods have reversible flues with slots on one end, allowing for non-ducted installations. Air that passes through the mesh and charcoal filters recirculates into the

kitchen. In ceiling installations over 8' the slots may be visible, depending on how far the telescopic flue is extended. Contact Tech Support at 800-637-1453 for details.

Charcoal Filters

Non-ducted, re-circulating installations require charcoal filters. These filters help trap cooking aromas and need to be replaced on a regular basis, depending on your cooking style.

Select the re-circulating kit from the matrix, and order your replacement filters through your BEST® dealer or online at BESTRangeHoods.com.

Make-up Air Dampers



BEST® Automatic Make-Up Air Dampers are the first to provide synchronized operation for kitchen, bath and whole-house ventilation products. Installation is simple and requires no special wiring. Intelligent design options ensure optimum performance in a variety of installations and applications. Highly effective and affordable, BEST Automatic Make-Up Air Dampers strike the perfect balance to keep you and your home breathing easy.

[Online Range Hood Make-Up Air Specifying Tool](#) guides the design of the right make-up air damper system for any home.

Try it at BESTRangeHoods.com

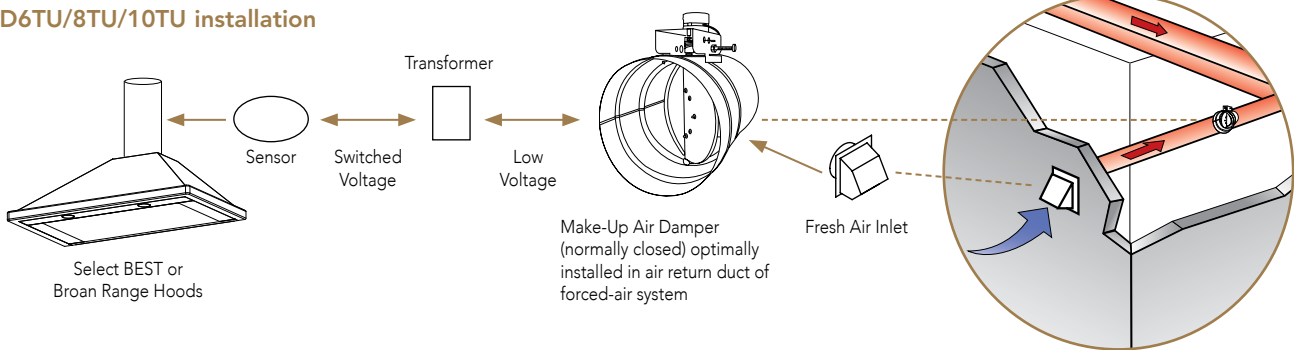
- Economical, ruggedly constructed galvanized motorized damper.
- Can be controlled by more than one BEST ventilation product.
- Damper opens automatically to replace the air being exhausted by ventilation fans or range hoods, and then closes tightly when ventilation fans are turned off.
- Prevents excess air from entering the home during heating or cooling calls, reducing energy consumption.
- Interlocked systems meet IRC code requirements for make-up air with range hoods.

MD6TU/MD8TU/MD10TU Universal Design. Works with any BEST range hood over 300 CFM. Provides interlocked make-up air without requiring a direct wire connection.

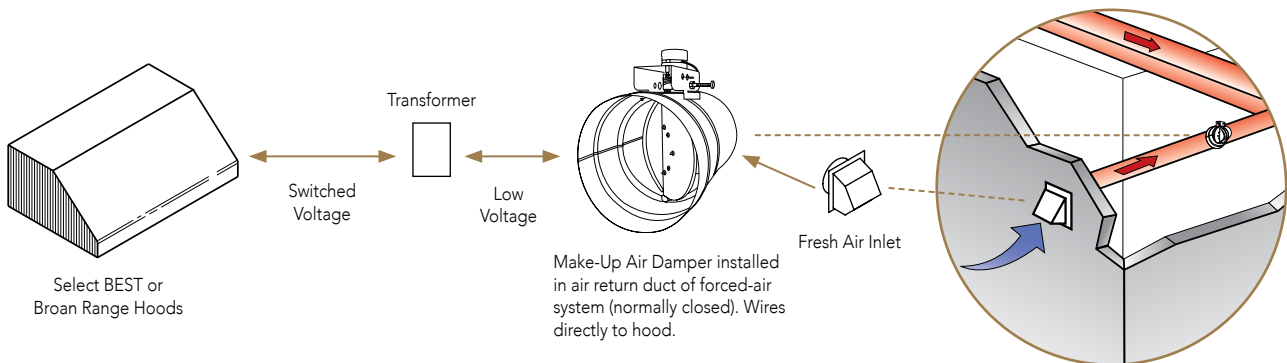
MD6T/MD8T/MD10T. Balances indoor air pressure by providing make-up air for select BEST range hoods. Requires direct wire to hood.

641FA/643FA/610FA Inlets. Fresh air inlets in 6", 8" or 10" models are required to bring outdoor air in from the outside.

MD6TU/8TU/10TU installation



MD6T/8T/10T installation



Consider Ventilation First

Consider ventilation requirements first when designing the kitchen to simplify duct installation and application issues. Remember that ventilation removes the airborne particles to the outdoors. Recirculation filters catch some particles in the immediate cooking area, but vapors and moisture remain inside the house.

Observe and Address Cross-Currents

Cross-currents can affect range hood capture ability. Windows, patio doors, ceiling fans, forced heating registers and garage entry doors are prime sources of cross-currents. Design in features that block cross-currents from moving directly over the cooking surface to improve range hood effectiveness.

Range Hood Ducting

Start by selecting a termination point on the roof or wall and create the shortest possible duct path with fewest turns back to the hood location(s). Keep in mind bigger duct is better. Next determine what the largest duct size is without constriction. Now consider hoods with this size (or area) duct connection. Smaller ducting will sacrifice performance and increase sound levels. When planning termination at the hood note that some hoods allow duct attachment through the top or back of the hood.

To Achieve Peak Exhaust Rates at the Lowest Sound Levels

- Never make the size or area of the ductwork smaller than the size that originates at the hood.
- Bigger ductwork is better.
- Keep duct length less than 50 linear feet.
- Minimize use of elbows and transitions (4 or less).
- Always separate 90° elbows with at least 2 feet of straight ductwork.
- When using a remote exterior blower, using one 90° elbow will reduce noise transmission into the hood.
- Place transitions at least 1 foot from the hood outlet or remote blower inlet.

Sizing the Range Hood

Use the following guidelines to help determine sizing:

Determine if the cooking equipment will be conventional (cooktop less than 60,000 BTU) or high performance (over 60,000 BTU)

To reach a starting point use the following formulas or use the cooktop manufacturer's recommendation:

Under 60,000 BTU: 100 CFM per foot of cooktop width. Example: 36" wide wall application indicates a need for 300 CFM.

Over 60,000 BTU: 1 CFM for each 100 BTU output of the cooktop. Example: 60,000 BTU indicates a need for 600 CFM.

If there is a grill or griddle in the cooktop add 200 CFM to the estimate. Example: 60,000 BTU = 600 CFM + 200 CFM for grill = total 800 CFM.

For island installation, more CFM is needed. For conventional cooktops use 150 CFM per foot of cooktop, and for high performance cooktops add 100 CFM to the estimate.

For the quietest possible operation, choose a model with the highest CFM, even if it is more than needed. This will allow the hood to be operated at lower normal speeds where sound can be 50% quieter with appropriate duct size.

Determining Adequate Capture Capability

The capture area of the range hood is typically defined by the outer most perimeter of the hood bottom. The "SUMP" is the inverted area of the hood bottom that acts like a container to hold the inrush of heat and smoke until the blower can drain it away, preventing smoke from spilling over the edge. If at all possible, select range hood designs that have at least a 1" deep sump. For high-performance cooktops select a model with an increased sump size. If that is not possible, increase the CFM.

Unit Dimensions in This Catalog

When designing aesthetic complements to your BEST® range hood (custom cabinetry, tile, shelving, etc.) or aligning permanently affixed elements before the range hood is installed, be sure to have the product in hand first in order to double-check measurements and positioning. Unit dimensions for products in this catalog are subject to normal manufacturing tolerances.



- A. Height: 24"–30" above the cooking surface is typical.
- B. Width: Minimum hood width should match the width of the cooktop.
- C. Depth: Minimum hood depth should cover 100% of the back burners, and 50% of the front burners.

Installation Height

All range hoods have a recommended range of installation height over the cooking surface. The lowest level is the distance the hood was safety tested for by UL. The upper limit is a recommendation that will provide satisfactory capture. If the hood is installed below the lower limit it could cause damage to the hood and an inspector could force a reinstallation. Going above the upper limit is the installer's choice and will have no effect on the hood, but may result in reduced capture of smoke. If the hood is above the upper limit, add 100 CFM for every 3" above the recommended height, and increase the width of the hood so it extends 6" beyond the cooktop.

Determining Range Hood Coverage

At a minimum, the range hood width should extend to the width of the cooktop, and cover 100% of the back burners and 50% of the front burners. Range hoods can be wider and deeper, and in some places it is code to have the width of the hood extend 6" greater than the cooking surface. For more effective coverage, install the hood at the lowest recommended height.

Range Hood Filters

Filtration keeps more of the grease by-products out of the hood and duct system and in the filter, which can be removed and easily cleaned in the dishwasher. Baffle filters are good choices for grilling or frying, but must be operated at high speed to get the best filtering results. Mesh filters work well regardless of the hood speed, allowing effective, quiet operation. New mesh lined Hi-Flow™ filters combine baffle and mesh features for the best of both worlds.

Product Usage

BEST® range hoods are designed for use with indoor residential cooking products, except when noted for outdoor use, but are not for use with charcoal grills of any kind.

Stainless Steel Types

BEST® range hoods utilize two stainless steel grades: corrosion resistant stainless steel is recommended for protected outdoor applications, and installations along saltwater coastal areas. This type of stainless steel resists the effects of corrosive environments. Brushed stainless steel is suitable for all interior installations.

Performance Testing

This product was tested by Broan for airflow performance using the ANSI/AMCA 210 Standard, which is equivalent to the Home Ventilating Institute HVI 916—Procedure for Air Flow Testing, and tested for sound performance using the ANSI S12.51 Standard, which is equivalent to the Home Ventilating Institute HVI 915—Procedure for Loudness Rating of Residential Fan Products.

Technical/Installation Documentation

Technical and installation documents are available online at BESTRangeHoods.com, or through our Customer Service Department at 800-558-1711.

Limited 5/2 Warranty

BEST is committed to ensuring satisfaction with your new range hood. To help keep things in proper working order, BEST is offering a 5-year parts, 2-year labor limited warranty. See full terms and conditions at bestrangehoods.com/warranty



UL listed. (Underwriters Laboratories tested and approved).



Evaluated by UL to Canadian Standard C22.2 NO. 113.

BEST® is a registered trademark of Broan®, a proud member, in good standing, of the Home Ventilating Institute



Advancing the Value of Residential Ventilation for Healthier Living.

Range Hood Specifications

MODEL	PAGE	DIMENSIONS		FINISH ¹		LIGHTING				
		Width	Depth	Standard	Special Order	Type	Qty	Levels	Included	
SORPRESA	IC35I	12	35-7/16"	13-3/4"	Brushed SS with Glass	NA	Halo., T4, G9-25W Max	2	2	Yes
	IM32I	11	39-3/8"	19-3/4"	Polished SS	NA	Halo., T3, G4-12V, 20W Max	6	1	Yes
	IM42I	13	19-7/8"	19-7/8"	Paint	NA	Halo., MR11; G4-16W Max	2	1	Yes

MODEL	PAGE	NON-DUCT			ACCESSORIES				
		Capability	Recirculating Flue	Recirculating Kit ³	Flue Extension	Backsplash	Liners	Deco Trim	
SORPRESA	IC35I	12	Shipped as recirculating	Yes	AEIC35SB	AEIC35SB (req. for ducted)	NA	NA	NA
	IM32I	11	Recirculating only	NA	Included	NA	NA	NA	NA
	IM42I	13	Recirculating only	NA	Included	NA	NA	NA	NA

MODEL	PAGE	DIMENSIONS		FINISH ¹		LIGHTING				
		Width	Depth	Standard	Special Order	Type	Qty	Levels	Included	
ISLAND	IBF4I	19	35-7/16" (36" in catalog)	23-5/8"	430 SS	No	Halo, Type JC	4	1	Yes
	IC34E	17	39-3/8"	27-5/8"	430 SS	No	LED 6W	4	1	Yes
	IC34IQ	17	39-3/8"	27-5/8"	430 SS	No	LED 6W	4	1	Yes
	IPB9E	15	48"	27"	430 SS	No	Halo., G9-25W	4	2	Yes
	IPB9IQ	15	48"	27"	430 SS	No	Halo., G9-25W	4	2	Yes
	IPP9E	16	42"	30"	430 SS	No	Halo., G4-25W	4	2	Yes
	IPP9IQT	16	42"	30"	430 SS	No	Halo., G4-25W	4	2	Yes
	ICB3	18	36"	22"	430 SS	No	LED 5.5W	2	3	Yes

MODEL	PAGE	NON-DUCT			ACCESSORIES				
		Capability	Recirculating Flue	Recirculating Kit ³	Flue Extension	Backsplash	Liners	Deco Trim	
ISLAND	IBF4I	19	Yes	Included	ANKIBF4	90986	NA	NA	No
	IC34E	17	No	No	No	AEIC34SB	No	NA	No
	IC34IQ	17	Yes	Included	ANKIC34	AEIC34SBN	No	NA	No
	IPB9	15	No			AEIPB9SB	No	NA	No
	IPB9E	15	No	No	No	AEIPB9SB	No	NA	No
	IPB9IQT	15	No	No	No	AEIPB9SB	No	NA	No
	IPP9E	16	No	No	No	AEIPP9SB	No	NA	No
	IPP9IQT	16	No	No	No	AEIPP9SB	No	NA	No
ICB3	18	No	No	No	AEICB3SB	No	NA	No	

1. Finish Abbreviations: 304 SS = 304 Professional Grade Brushed Stainless Steel, 316 SS = 316 Marine Grade Brushed Stainless Steel, 430 SS = 430 Standard Grade Brushed Stainless Steel (430 stainless steel finish is not recommended for installations along saltwater coastal areas).
 3. Recirculating kits are necessary to make some models ready for non-ducted operation.

CONTROL ²			FILTER	BLOWER	HOOD PERFORMANCE			
Type	Feature	Remote	Standard	Type	Max/Low CFM	CFM Reducer Kit	Sones Low/High	
4-S PB	HS, DO, FT	No	Mesh	Internal	490/220	NA	2.5/7.0	
4-S PB	HS, DO, FT	No	Perimeter	Internal	Recirc. 450	NA	NA	
4-S PB	HS, DO, FT	Opt. ACR3	Mesh	Internal	Recirc. 250	NA	NA	

ELECTRIC		DUCT		BACKDRAFT DAMPER	MOUNTING HEIGHT ABOVE COOKTOP ⁵		
Amps @ 120V	Connection	Size at hood ⁴	Direction		8' ceiling	9' ceiling	10' Ceiling with Flue Ext. ⁶
3.12	Direct	6"	V	Included	24"-26"	25"-30"	NA
3.38	Direct	NA	NA	Included	24"	24"	NA
2.63	Direct	NA	NA	Included	23-1/2"	23"-1/2"	NA

CONTROL ²			FILTER	BLOWER	HOOD PERFORMANCE			
Type	Feature	Remote	Standard	Type	Max/Low CFM	CFM Reducer Kit	Sones Low/High	
3-S EPB	DO	No	Alum Mesh	Internal	400/190	No	2.5/8.5	
4-S EPB	HS, DO, FT	Opt. ACR3	Mesh	Exterior, In-line	See EB6, 9, 12, 15 See ILB3, 6, 9, 11	No	See pages 66-67	
4-S EPB	HS, DO, FT	Opt. ACR3	Mesh	iQ6	525/120	No	0.3-8.0	
3-S+Boost EPB w/LED DSP	HS, DO, FT	Opt. ACR3	Hi-Flow™ Baffle	Exterior, In-line	See EB6, 9, 12, 15 See ILB3, 6, 9, 11	No	See pages 66-67	
3-S+Boost EPB w/LED DSP	HS, DO, FT	Opt. ACR3	Hi-Flow™ Baffle	Internal	1100/295	No	0.3-8.5 (B-11)	
3-S+Boost EPB w/LED DSP	HS, DO, FT	Opt. ACR3	Hi-Flow™ Baffle	Exterior, In-line	See EB6, 9, 12, 15 See ILB3, 6, 9, 11	No	See pages 66-67	
3-S+Boost EPB w/LED DSP	HS, DO, FT	Opt. ACR3	Hi-Flow™ Baffle	Internal	1100 /295	No	0.3-8.5 (B-10.5)	
4-S Soft Touch	HS, DO	Opt. ACR3	Hybrid Baffle	Internal	700/230	No	1.2/10	

ELECTRIC		DUCT		BACKDRAFT DAMPER	MOUNTING HEIGHT ABOVE COOKTOP ⁵		
Amps @ 120V	Connection	Size at hood ⁴	Direction		8' ceiling	9' ceiling	10' Ceiling with Flue Ext. ⁶
3.3 Max	Direct	6"	V	Included	24"-36"	24"-36"	?
7	Direct	8"	V	Included w/ blower	24"-27"	27"-36"	24"-36" §
4.3	Direct	8"	V	Included	24"-27"	27"-36"	24"-36" §
8.5	Direct	10"	V	Included	24"-27"	27"-36"	24"-34" §
7	Direct	10"	V	Included w/ blower	24"-27"	27"-36"	24"-34" §
8.5	Direct	10"	V	Included	24"-27"	27"-36"	24"-34" §
7	Direct	10"	V	Included w/ blower	24"-27"	27"-36"	24"-34" §
8.5	Direct	10"	V	Included	24"-27"	27"-36"	24"-34" §
3.3	Plug-in	8"	V	Included	30"-34"	30"-36"	30"-36" §

2. Control Abbreviations: ASC = Automatic Sensor Control, AR = Air Refresh, HS = Heat Sentry™, FT = Filter Timer, DO = Delay-Off, LS = Light Sensor, PB = Pushbutton, EL = Electronic, EPB = Electronic Pushbutton, DSP = Display, VS = Variable Speed, S = Speed, B = Boost, LCD = Liquid Crystal Display, LED = Light Emitting Diode.

4. Damper/Adapter is included with products in the duct size indicated for hoods using external blowers. See pages 66-67 for duct size, may require transition to 10".
 5. Range of recommended mounting heights above the cooking surface (assumes cooktop to be 36" above floor). The distance above a cooktop must not be less than 24" unless otherwise noted.

6. Chimney and Island Hoods require optional flue extension for 10' or 11' ceiling.
 + The telescopic flue or device will allow installations at mounting heights greater than the indicated limit.
 § = Flue extension designed for 10'-11' ceiling application.

Range Hood Specifications

MODEL	PAGE	DIMENSIONS		FINISH ¹		LIGHTING			
		Width	Depth	Standard	Special Order	Type	Qty	Levels	Incl.
WCB3	31	30", 36"	20-3/4"	430 SS	No	LED 5.5W	2	3	Yes
K3139	24	30", 36", 42"	19-5/8"	430 SS	Black (30", 36")	Halo., G4-20W	2	1	Yes
K34	25	35-7/16"	19-11/16"	430 SS	No	Halo., G4-20W	2	1	Yes
WBF4I	30	30", 36"	19-3/4"	430 SS	No	Halo, Type JC, 12V, 20W Max	2	1	Yes
WC34E	28	35-7/16"	18-1/8"	430 SS	No	LED 6W	2	1	Yes
WC34IQ	28	35-7/16"	18-1/8"	430 SS	No	LED 6W	2	1	Yes
WC35E	27	35-7/16"	18-3/8"	430 SS	No	LED 6W	2	1	Yes
WC35IQ	27	35-7/16"	18-3/8"	430 SS	No	LED 6W	2	1	Yes
WC45E	29	35-7/16"	17-11/16"	430 SS w/clear glass	No	LED 6W	2	1	Yes
WC45IQ	29	35-7/16"	17-11/16"	430 SS w/clear glass	No	LED 6W	2	1	Yes
WCP3	23	30", 36"	20"	430 SS	No	LED 4.5 W	2	2	Yes
WPB9	26	47-1/4" (48" in catalog)	24"	Brushed SS	No	Halo, T4, G9-25W	4	2	Yes
WPP9E	21	36", 42" (48", 54")	24"	430 SS	No	Halo., G9-25W	3 (4)	2	Yes
WPP9IQ	21	36", 42"	24"	430 SS	No	Halo., G9-25W	3	2	Yes
WPP9IQT	21	36", 42" (48", 54")	24"	430 SS	No	Halo., G9-25W	3 (4)	2	Yes
WTT32I	22	30", 36" (42")	22"	430 SS	No	Halo., GU10-50W	2 (3)	3	Yes
WTT32I	22	48"	22"	430 SS	No	Halo., GU10-50W	3	3	Yes

CHIMNEY

MODEL	PAGE	NON-DUCT			ACCESSORIES			
		Capability	Recirculating Flue	Recirculating Kit ³	Flue Extension	Backsplash	Liners	Deco Trim
WCB3	31	NA	No	No	AEWCB3SB	No	No	No
K3139	24	Yes	Included	NDK3139	FEXTK3139SS	No	NA	No
K34	25	Yes	Included	FILTERK34	FEXTK34SS** FEXTK34SSN**	No	NA	No
WBF4I	30	Yes	Included	ANKWBF4	No	NA	NA	No
WC34E	28	NA	No	No	AEWC345IQSB	No	NA	No
WC34IQ	28	Yes	Included	ANKWC345	AEWC345IQSBN	No	NA	No
WC35E	27	NA	No	No	AEWC345IQSB	No	NA	No
WC35IQ	27	Yes	Included	ANKWC345	AEWC345IQSBN	No	NA	No
WC45E	29	NA	No	No	AEWC345IQSB	No	NA	No
WC45IQ	29	Yes	Included	ANKWC345	AEWC345IQSBN	No	NA	No
WCP3	23	Yes	No	HRKBSS	AEWCP3SB	No	No	No
WPB9	26	Yes	AEWPB9SBN	ANKWPB9	AEWPB9SB	No	No	No
WPP9E	21	NA	No	No	AEWPP9SB	No	NA	No
WPP9IQ	21	Yes	Included	ANKWPP9 (iQ6)	AEWPP9SB	No	NA	No
WPP9IQT	21	NA	No	No	AEWPP9SB	No	NA	No
WTT32I (30", 36", 42")	22	Yes	Included	ANKWTT320 (30") ANKWTT326 (36", 42")	AEWTT32SB	No	NA	No
WTT32I (48")	22	NA	No	No	AEWTT328SB	No	NA	No

CHIMNEY

1. Finish Abbreviations: 304 SS = 304 Professional Grade Brushed Stainless Steel, 316 SS = 316 Marine Grade Brushed Stainless Steel, 430 SS = 430 Standard Grade Brushed Stainless Steel (430 stainless steel finish is not recommended for installations along saltwater coastal areas)
 3. Recirculating kits are necessary to make some models ready for non-ducted operation.
 ** FEXTK34SS is a ducted extension. FEXTK34SSN is a non-ducted extension.

	CONTROL			FILTER	BLOWER	HOOD PERFORMANCE		
	Type	Feature ²	Remote	Standard	Type	High CFM	CFM Reducer Kit	Sones Low/High
4-S Soft Touch	HS, DO	No	Hybrid Baffle	Internal	600/200	No	1.4/10.5	
3-S PB	HS	No	SS Mesh	Internal	400	ARP6	6	
3-S PB	HS	No	SS Mesh	Internal	500	ARP6	9.5	
3-S EPB	DO	No	Alum Mesh	Internal	400/190	No	2.5/8.5	
4-S EPB	HS, DO, FT	Opt. ACR3	Mesh	Exterior, In-line	See EB6, 9, 12, 15 See ILB3, 6, 9, 11	No	See pages 66–67	
4-S EPB	HS, DO, FT	Opt. ACR3	Mesh	iQ6	500/120	No	0.3–4.5 (B-7.5)	
4-S Capacitive Glass	HS, DO, FT	Opt. ACR3	Mesh	Exterior, In-line	See EB6, 9, 12, 15 See ILB3, 6, 9, 11	No	See pages 66–67	
4-S Capacitive Glass	HS, DO, FT	Opt. ACR3	Mesh	iQ6	500/120	No	0.3–4.5 (B-7.5)	
4-S Elec IR Infrared	HS, DO, FT	Opt. ACR3	SS Mesh	External, In-line	See EB6, 9, 12, 15 See ILB3, 6, 9, 11	No	See pages 66–67	
4-S Elec IR Infrared	HS, DO, FT	Opt. ACR3	SS Mesh	iQ6	500/120	No	0.3–7.5	
3-S Cap Touch	HS, FT	No	Hybrid Baffle	Internal	550/200	ARP6, ARP310	1.5/11	
3-S+Boost EPB w/LED DSP ³	HS, DO, FT	Opt. ACR3	Hi-Flow™ Baffle	iQ12	1200	No	0.3/11.0	
3-S+Boost EPB w/LED DSP	HS, DO, FT	Opt. ACR3	Hi-Flow™	External, In-line	See EB6, 9, 12, 15 See ILB3, 6, 9, 11	No	See pages 66–67	
3-S+Boost EPB w/LED DSP	HS, DO, FT	Opt. ACR3	Hi-Flow™	iQ6	600/140	No	0.3–5.5 (B-8.5)	
3-S+Boost EPB w/LED DSP	HS, DO, FT	Opt. ACR3	Hi-Flow™	iQ12	1100/295	No	0.3–8.5 (B-10.5)	
4-S, EPB	HS	No	SS Mesh	Internal	600	No	9.5	
4-S, EPB	HS	No	SS Mesh	Internal	1200	No	12	

	ELECTRIC		DUCT		BACKDRAFT DAMPER	MOUNTING HEIGHT ABOVE COOKTOP ⁵		
	Amps @ 120V	Connection	Size at Hood ⁴	Direction		8' Ceiling	9' Ceiling	10' Ceiling with Flue Ext. ⁶
3.3	Plug-in	3-1/4"x10"	V	Included	24"–33"	24"–36"	24"–36" §	
2.7	Plug	6"	V	Included	24"–26"	28"–30" +	26"–30"	
3.2	Direct	6"	V	Included	24"	24"–30" +	26"–30"	
3.3 Max	Cord	6"	V	Included	24"–36"	24"–36"	N/A	
7.0 Max	Plug	8"	V	Included w/ blower	24"–30"	24"–30"	24"–30" §	
4	Plug	8"	V	Included	24"–30"	24"–30"	24"–30" §	
7.0 Max	Plug	8"	V	Included w/ blower	24"–30"	27"–30"	24"–30" §	
4	Plug	8"	V	Included	24"–30"	27"–30"	24"–30" §	
7.0 Max	Plug	8"	V	Included w/ blower	24"–30"	24"–30"	24"–30" §	
4	Plug	8"	V	Included	24"–30"	24"–30"	24"–30" §	
3.9	Plug-in	6", 3-1/4"x10"	V/H	Included	24"–30"	24"–30"	24"–30"	
8.4	Direct	10"	V	Included	24"–36"	24"–36"	24"–36"	
7.0 Max	Direct	10"	V	Included w/ blower	24"–32"	30"–36"	24"–33" §	
4.5	Direct	8"	V	Included	24"–32"	30"–36"	24"–33" §	
8.5	Direct	10"	V	Included	24"–27"	27"–36"	24"–34" §	
5.0 Max	Plug	8"	V	Included	24"–30"	30" +	24"–30"	
8.5	Plug	10"	V	Included w/ blower	24"–30"	30" +	24"–30"	

2. Control Abbreviations: ASC = Automatic Sensor Control, AR = Air Refresh, HS = Heat Sentry™, FT = Filter Timer, DO = Delay-Off, LS = Light Sensor, PB = Pushbutton, EL = Electronic, EPB = Electronic Pushbutton, DSP = Display, VS = Variable Speed, S = Speed, B = Boost, LCD = Liquid Crystal Display, LED = Light Emitting Diode.

4. Damper/Adapter is included with products in the duct size indicated for hoods using external blowers. See pages 66–67 for duct size, may require transition to 10".

5. Range of recommended mounting heights above the cooking surface (assumes cooktop to be 36" above floor). The distance above a cooktop must not be less than 24" unless otherwise noted.

6. Chimney and Island Hoods require optional flue extension for 10' or 11' ceiling.

+ The telescopic flue or device will allow installations at mounting heights greater than the indicated limit.

§ = Flue extension designed for 10'–11' ceiling application.

Range Hood Specifications

MODEL	PAGE	DIMENSIONS		FINISH ¹		LIGHTING				
		Width	Depth	Standard	Special Order	Type	Qty	Levels	Incl.	
PROFESSIONAL	UP26M	36	30", 36" (42", 48")	22"	430 SS	No	Halo., MR16; GU10-50W	2 (4)	2	Yes
	UP27M	34	30", 36" (42", 48")	22"	304 SS	No	Halo., MR16; GU10-50W	2 (4)	Var.	Yes
	WP28M	35	30", 36", 42", 48" (54", 60")	24"	430 SS	No	Halo., MR16; GU10-50W	2 (4)	2	Yes
	WP29M	33	30", 36", 42" (48", 54", 60")	24"	304 SS	No	Halo., MR16; GU10-50W	4 (6)	Var.	Yes

MODEL	PAGE	NON-DUCT			ACCESSORIES				
		Capability	Recirculating Flue	Recirculating Kit ³	Flue Extention	Backsplash	Liners	Deco Trim	
PROFESSIONAL	UP26M	36	NA	NA	NA	NA	RMP	NA	NA
	UP27M	34	Yes	Sold separately	ANKUP	NA 2-1/2"–Recirc	NA	NA	NA
	WP28M	35	NA	NA	NA	AEWP28	RMP	NA	NA
	WP29M	33	Yes	Sold separately	ANKWP	AEWP 6" and 12" Tall, ANKWP 6"–Recirc	NA	NA	NA

MODEL	PAGE	DIMENSIONS		FINISH ¹		LIGHTING				
		Width	Depth	Standard	Special Order	Type	Qty	Levels	Included	
OUTDOOR	WPD39M	39	36" (48", 60")	30"	304 SS	No	Halo., MR16; GU10-50W	2 (3)	2	Yes
	WPD38I	40	36" (48", 60")	27"	304 SS	No	Halo., MR16; GU10-50W	2 (3)	1	Yes
	WTD9M	41	36", 42", 48"	30"	304 SS	No	Halo., MR16; GU10-50W	2	1	Yes
	CPD9M	42	36", 42", 48"	28-3/8"	304 SS	No	Halo., MR16; GU10-50W	2	1	Yes
	CPD	43	36" (48", 60")	22-1/2"	304 SS	No	Halo., MR16; GU10-50W	2 (3)	2	Yes

MODEL	PAGE	NON-DUCT			ACCESSORIES				
		Capability	Recirculating Flue	Recirculating Kit ³	Flue Extention	Backsplash	Liners	Deco Trim	
OUTDOOR	WPD38I	40	NA	NA	NA	AEWPD; Wall Ext AWWPD	NA	NA	NA
	WPD39M	39	NA	NA	NA	AEWPD; Wall Ext AWWPD	NA	NA	NA
	WTD9M	41	No	No	No	See Pg. 41	NA	NA	NA
	CPD9M	42	No	No	No	NA	NA	NA	NA
	CPD	43	No	No	No	NA	NA	NA	NA

1. Finish Abbreviations: 304 SS = 304 Professional Grade Brushed Stainless Steel, 316 SS = 316 Marine Grade Brushed Stainless Steel, 430 SS = 430 Standard Grade Brushed Stainless Steel (430 stainless steel finish is not recommended for installations along saltwater coastal areas).
 3. Recirculating kits are necessary to make some models ready for non-ducted operation.

CONTROL			FILTER	BLOWER	HOOD PERFORMANCE		
Type	Feature ²	Remote	Standard	Type	High CFM	CFM Reducer Kit	Sones Low/High
VS Rotary with Memory	HS	No	Hi-Flow™ Baffle	Internal, Exterior, In-line	See iQ6, P3, P5, P6, P8; EB6, 9, 12, 15 or ILB3, 6, 9, 11	ARP310 (P5 blower only)	See pages 65–67
VS Rotary with Memory	HS	No	Hi-Flow™ Baffle	Internal, Exterior, In-Line	See iQ6, P3, P6; EB6, 9, 12, 15 or ILB3, 6, 9, 11	NA	See pages 65–67
VS Rotary with Memory	HS	No	Hi-Flow™ Baffle	Internal, Exterior, In-line	See iQ6, iQ12, P6, P12; EB6, 9, 12, 15 or ILB3, 6, 9, 11	NA	See pages 65–67
VS Rotary with Memory	HS	No	Hi-Flow™ Baffle	Internal, Exterior, In-line	See iQ6, iQ12, P3, P6, P12; EB6, 9, 12, 15 or ILB3, 6, 9, 11	NA	See pages 65–67

ELECTRIC		DUCT		BACKDRAFT DAMPER	MOUNTING HEIGHT ABOVE COOKTOP ⁵		
Amps @ 120V	Connection	Size at Hood ⁴	Direction		8' Ceiling	9' Ceiling	10' Ceiling with Flue Ext. ⁶
7.7 Max	Direct	See Blower Selection	V & H (P5 & P8)	Included w/ blower	24"–30" +	NA	NA
7.7 Max	Direct	See Blower Selection	V	Included w/ blower	24"–30" +	NA	NA
8.5 Max	Direct	See Blower Selection	V & H	Included w/ blower	24"–36" +	NA	NA
8.5 Max	Direct	See Blower Selection	V & H	Included w/ blower	24"–36"	NA	NA

CONTROL ²			FILTER	BLOWER	HOOD PERFORMANCE		
Type	Feature	Remote	Standard	Type	Max/Low CFM	CFM Reducer Kit	Sones Low/High
VS Rotary with Memory	HS	No	304 SS Baffle and grease rail	Internal	See P12, EB12, 15 or ILB11	NA	2.25/12.0
4-S, Rotary	HS	No	304 SS Baffle	Internal	1160	NA	11
VS Rotary with Memory	HS	No	304 SS Baffle	Internal	1200	No	13
VS Rotary with Memory	HS	No	304 SS Baffle	Internal	1200	No	13
3-S, Elec Rotary	HS	No	SS Baffle	Internal	1040/480	No	3.0–11.5

ELECTRIC		DUCT		BACKDRAFT DAMPER	MOUNTING HEIGHT ABOVE COOKTOP ⁵		
Amps @ 120V	Connection	Size at Hood ⁴	Direction		8' Ceiling	9' Ceiling	10' Ceiling with Flue Ext. ⁶
9.0 Max	Direct	10"	V	Included	36" +	36" +	36" +
7.4 Max	Direct	10"	V	Included w/ blower	36" +	36" +	36" +
7	Direct	10"	V	Not Included	36"	36"	36"
7	Direct	10"	V	Not Included	36"	36"	36"
5	Direct	8"	V	Included	36"	36"	36"

2. Control Abbreviations: ASC = Automatic Sensor Control, AR = Air Refresh, HS = Heat Sentry™, FT = Filter Timer, DO = Delay-Off, LS = Light Sensor, PB = Pushbutton, EL = Electronic, EPB = Electronic Pushbutton, DSP = Display, VS = Variable Speed, S = Speed, B = Boost, LCD = Liquid Crystal Display, LED = Light Emitting Diode.

4. Damper/Adapter is included with products in the duct size indicated for hoods using external blowers. See pages 66–67 for duct size, may require transition to 10".
 5. Range of recommended mounting heights above the cooking surface (assumes cooktop to be 36" above floor). The distance above a cooktop must not be less than 24" unless otherwise noted.

6. Chimney and Island Hoods require optional flue extension for 10' or 11' ceiling.
 + The telescopic flue or device will allow installations at mounting heights greater than the indicated limit.
 § = Flue extension designed for 10'–11' ceiling application.

Range Hood Specifications

MODEL	PAGE	DIMENSIONS		FINISH ¹		LIGHTING			
		Width	Depth	Standard	Special Order	Type	Qty	Levels	Incl.
CC34E-63"	51	63-1/2"	27-9/16"	Brushed SS	No	LED Strips 3 W	4	3	Yes
CC34IQ-63"	51	63-1/2"	27-9/16"	Brushed SS	No	LED Strips 3 W	4	3	Yes
CC34IQT-63"	51	63-1/2"	27-9/16"	Brushed SS	No	LED Strips 3 W	4	3	Yes
CC34E-43"	51	43-3/8"	27-1/2"	Brushed SS	No	LED 3W	6	1	Yes
CC34IQ-43"	51	43-3/8"	27-1/2"	Brushed SS	No	LED 3W	6	1	Yes
CP34	57	28-3/8", 34-3/8", 40-3/8"	19-1/4"	430 SS	No	Halo., MR16; GU10-50W	2	2	Yes
CP35	57	28-3/8", 34-3/8", 40-3/8"	19-1/4"	430 SS	No	Halo., MR16; GU10-50W	2	2	Yes
CP37	57	46-3/8"	22-1/2"	430 SS	No	Halo., MR16; GU10-50W	2	2	Yes
CC45I	58	34"	13"	304 SS	No	LED 8.5W	1 Strip	3	Yes
CC45E	58	34"	13"	304 SS	No	LED 8.5W	1 Strip	3	Yes
CP55I	56	34-3/8" (46-3/8")	19-1/4"	430 SS	No	Halo., MR16; GU10-50W	2 (4)	4	Yes
CP57E	56	34-3/8", 46-3/8" (58-3/8")	22-1/2"	430 SS	No	Halo., MR16; GU10-50W	2 (4)	4	Yes
CP57I	56	46-3/8" (52-3/8", 58-3/8", 64-3/8")	22-1/2"	430 SS	No	Halo., MR16; GU10-50W	2 (4)	4	Yes
D49M	45	30", 36", 48"	2-1/4"	304 SS	No	LED 7W (30"), 14W (36"), 18W (48")	1	2	Yes
DC54M	48	4-3/4"	19-1/8"	304 SS	No	NA	NA	NA	NA
CC65I (67I)	59	28-1/2"	14-3/4"	430 SS	No	LED 5.5W	2	2	Yes
P195ES70SB	53	20-1/2" (27-1/2")	11-1/4"	430 SS	No	Fluor., G24Q-1; 13W	2	1	Yes
P195P1M52SB6 (70SB6)	52	21-3/16" (28-5/16")	11-1/8"	430 SS	No	Halo., T3; G-4, 20W	2	2*	Yes
P195P2	52	28-5/16"	11-1/8"	430 SS	No	Halo., T3; G-4, 20W	2	2*	Yes
PIK	55	33-3/4" (45-3/4")	18-7/16"	430 SS	No	Halo., MR16; GU10-50W	2 (3)	1	Yes
PK22	54	27-3/4", 36-1/12" (43-7/16")	15-7/16"	430 SS	No	Halo., MR16	2 (3)	1	Yes
PKEX22	54	36-1/2" (43-7/16")	15-7/16"	430 SS	No	Halo., MR16	3 (4)	1	Yes
U102E	60	30", 36", 42"	12-3/4", 18-1/2"	304 SS	No	Halo., G4-20W	2	2	Yes
U102I		30", 36"	12-3/4", 18-1/2"	304 SS	No	Halo., G4-20W	2	2	Yes
UCB3	49	30", 36"	20-1/8"	430 SS	No	LED 5.5W	2	3	Yes

BUILT-IN

1. Finish Abbreviations: 304 SS = 304 Professional Grade Brushed Stainless Steel, 316 SS = 316 Marine Grade Brushed Stainless Steel, 430 SS = 430 Standard Grade Brushed Stainless Steel (430 stainless steel finish is not recommended for installations along saltwater coastal areas).

	CONTROL			FILTER	BLOWER	HOOD PERFORMANCE		
	Type	Feature ²	Remote	Standard	Type	High CFM	CFM Reducer Kit	Sones Low/High
4-S EL Light Touch	HS, DO, FT	ACR3	Perimeter	EB6, 9, 12, 15 or ILB3, 6, 9, 11	See pages 66–67	NA	—	
4-S EL Light Touch	HS, DO, FT	ACR3	Perimeter	iQ6	500/120	NA	0.3–5.5 (B-8.5)	
4-S EL Light Touch	HS, DO, FT	ACR3	Perimeter	iQ12	1100/295	NA	0.3–8.5 (B-10.5)	
4-S EL Light Touch	HS, DO, FT	ACR3	Perimeter	EB6, 9, 12, 15 or ILB3, 6, 9, 11	See pages 66–67	NA	—	
4-S EL Light Touch	HS, DO, FT	ACR3	Perimeter	iQ6	510/100	NA	0.3/8.0	
VS Rotary with separate on/off	HS	No	SS Baffle	Internal	290/130	No	3.0–11.5	
VS Rotary with separate on/off	HS	No	SS Baffle	Internal	600/190	No	2.0–12.0	
VS Rotary with separate on/off	HS	No	SS Baffle	Internal	1200/380	No	2.0–13.5	
4-S Infrared	HS, DO, FT	Opt. ACR3	SS Mesh	Internal	500/200	No	0.8–7.5	
4-S Infrared	HS, DO, FT	Opt. ACR3	SS Mesh	Exterior, In-line	See EB6, 9, 12, 15 See ILB3, 6, 9, 11	No	See pages 66–67	
3-S+Boost EPB	HS, DO, FT	Opt. ACR3	Hi-Flow™ Baffle	Internal	600/150	ARP8	0.3–5.5 (B-8.5)	
4-S EPB	HS, DO, FT	Opt. ACR3	Hi-Flow™ Baffle	Exterior, In-line	See EB6, 9, 12, 15 See ILB3, 6, 9, 11	No	See pages 66–67	
3-S+Boost EPB	HS, DO, FT	Opt. ACR3	Hi-Flow™ Baffle	Internal	1100/310	No	0.3–7.0 (B-10)	
4-S Capacitive Glass	HS, DO, FT	Opt. ACRD	Mesh	Internal Flex, Exterior, In-line	See PF6, EB6, 9, 12, 15 See ILB3, 6, 9, 11	—	See pages 65–67	
3-S Capacitive	DO, FT	Opt. ACR3	Alum Mesh	PF3 or PF6	See PF3 or PF6	No	See Page 65	
3-S EPB	HS, DO	No	Slim Baffle	Internal	210(370)/570(1000)	No	1.1(1.5)/8.5(12.0)	
3-S Slide	HS	No	Alum Mesh	Internal	290/120 (370/120)	No	0.5–5.0 (0.3–5.0)	
4-S EPB w/DSP	—	Opt. ACR3	Perimeter	Internal	520/190 (520/200)	No	1.0–9.5 (1.0–8.0)	
4-S EPB w/DSP	—	Opt. ACR3	Perimeter	Internal	800/310	No	2.0–12.0	
VS Slide with separate on/off	HS	Opt. WCPI	SS Baffle	Internal, Exterior, In-line	See P5, P8 EB6, 9, 12, 15 or ILB3, 6, 9, 11	ARP310 (P5 blower only)	See pages 66–67	
3-S+Boost EPB	HS, DO, FT	Opt. ACR3	Hi-Flow™ Baffle	Internal	1100 (250)	No	0.6–8.5 (B-11.3)	
3-S+Boost EPB	HS, DO, FT	Opt. ACR3	Hi-Flow™ Baffle	Exterior, In-line	See EB6, 9, 12, 15 See ILB3, 6, 9, 11	No	See pages 66–67	
4-S PB	HS, DO, FT	No	SS Mesh	Exterior, In-line	See EB6, 9, 12, 15 See ILB3, 6, 9, 11	No	See pages 66–67	
4-S PB	HS, DO, FT	No	SS Mesh	Internal	500	ARP8	10	
4-S Soft Touch	HS, DO	No	Hybrid Baffle	Internal	500/160	No	1.0/9.5	

2. Control Abbreviations: ASC = Automatic Sensor Control, AR = Air Refresh, HS = Heat Sentry™, FT = Filter Timer, DO = Delay-Off, LS = Light Sensor, PB = Pushbutton, EL = Electronic, EPB = Electronic Pushbutton, DSP = Display, VS = Variable Speed, S = Speed, B = Boost, LCD = Liquid Crystal Display, LED = Light Emitting Diode.

Range Hood Specifications

MODEL	PAGE	NON-DUCT			ACCESSORIES			
		Capability	Recirculating Flue	Recirculating Kit ³	Flue Extension	Backsplash	Liners	Deco Trim
CC34E-63"	51	No	NA	ANKCC3463	NA	NA	NA	NA
CC34IQ-63" (T)	51	Yes	NA	ANKCC3463	NA	NA	NA	NA
CC34E-43"	52	No	NA	ANKCC64	NA	NA	NA	White Glass Panels AGPCC34W
CC34IQ-43"	52	Yes	NA	NA	NA	NA	NA	White Glass Panels AGPCC34W
CP34	57	No	No	No	NA	NA	Integrated	NA
CP35	57	No	No	No	NA	NA	Integrated	NA
CP37	57	No	No	No	NA	NA	Integrated	NA
CC45I	58	Yes	No	ANKCC45	AECC45SB	No	NA	No
CC45E	58	No	No	No	No	No	NA	No
CP55I	56	Yes	Add Duct	ANKCP55	NA	NA	Integrated	NA
CP57E	56	No	No	No	NA	NA	Integrated	NA
CP57I	56	No	No	No	NA	NA	Integrated	NA
DC54M	48	Yes	NA	ANKD	NA	NA	NA	NA
D49M	45	Yes	No	ANKD	NA	NA	NA	ATKD Range Kit
CC65I (67I)	59	No	No	No	NA	NA	ALCC6(30,36,42)SB	NA
P195ES70SB	53	Yes	Add Duct	FILTEREB40	NA	NA	(L7030/L7036/L7048)	NA
P195P1M52SB6 (70SB6)	52	Yes	Add Duct	AFCP195P52, AFCP195P70	NA	NA	L5230, L7036, L7048	NA
P195P2	52	No	No	No	NA	NA	L5230, L7036, L7048	NA
PIK	55	No	No	No	NA	NA	L33, L45	NA
PK22	54	No	No	No	NA	NA	AL30, AL39, AL45	NA
PKEX22	54	No	No	No	NA	NA	AL39, AL45	NA
U102E	60	No	No	No	NA	NA	NA	NA
U102I	60	Yes	Add Duct	ROUNDFILTER	NA	NA	NA	NA
UCB3	49	No	NA	No	NA	No	No	No

BUILT-IN

3. Recirculating kits are necessary to make some models ready for non-ducted operation.

	ELECTRIC		DUCT		BACKDRAFT DAMPER	MOUNTING HEIGHT ABOVE COOKTOP ⁵		
	Amps @ 120V	Connection	Size at Hood ⁴	Direction		8' Ceiling	9' Ceiling	10' Ceiling with Flue Ext. ⁶
6.5	Direct	10"	V	Included	60"	72"	NA	
4	Direct	8" (10")	H	Included	60"	72"	NA	
6.5	Direct	8"	V	Included	60"	72"	NA	
4	Direct	8"	H	Included	60"	72"	NA	
5	Direct	8"	V	Included	24"-30" +	24"-30" +	24"-30" +	
5	Direct	8"	V	Included	24"-30" +	24"-30" +	24"-30" +	
9	Direct	10"	V	Included	24"-30" +	24"-30" +	24"-30" +	
3.2	Direct	8"	V	Included	24"-30"	24"-30"	24"-30"	
0.2	Direct	8"	V	Included	24"-30"	24"-30"	24"-30"	
36": 3.7; 48": 4.5	Direct	8"	V	Included	24"-30" +	24"-30" +	24"-30" +	
7.67 Max	Direct	10"	V	Included	24"-30" +	24"-30" +	24"-30" +	
7.0 Max	Direct	10"	V	Included	24"-30" +	24"-30" +	24"-30" +	
3	Plug-in	8"	H, left or right	Not Included	NA	NA	NA	
6.0 Max	Plug	8", 10", 1-7/8 x 19"	Front, Left, Right, Rear or Down	Not Included	NA	NA	NA	
6 (9.5)	Direct	3-1/4"x10" (10")	V or H (V)	Included	24"-30"	24"-30"	24"-30"	
2.8	Plug	6"	V	Included w/blower	24"-30"	24"-30"	24"-30"	
3.4	Direct	6"		Included w/blower	24"-30"	24"-30"	24"-30"	
5.4.0	Direct	8"	V	Included w/blower	24"-30"	24"-30"	24"-30"	
6.0 Max	Direct	See Blower Selection	V	Included w/blower	24"-30" +	24"-30" +	24"-30" +	
8.5 Max	Direct	10"	V	Included	24"-30" +	24"-30" +	24"-30" +	
8.5 Max	Direct	10"	V	Included w/blower	24"-30" +	24"-30" +	24"-30" +	
6.9 Max	Direct	8"	V	See blower	22-1/2"-30" +	22-1/2"-30" +	22-1/2"-30" +	
3	Direct	8"	V	Included w/blower	22-1/2"-30" +	22-1/2"-30" +	22-1/2"-30" +	
1.8	Plug-in	3-1/4"x10"	V & H	Included	24"-30" +	24"-30" +	24"-30" +	

4. Damper/Adapter is included with products in the duct size indicated for hoods using external blowers. See pages 66-67 for duct size, may require transition to 10".
5. Range of recommended mounting heights above the cooking surface (assumes cooktop to be 36" above floor). The distance above a cooktop must not be less than 24" unless otherwise noted.







best[®]

BESTRangeHoods.com

926 West State Street, Hartford, Wisconsin 53027
In U.S.A. 800-558-1711, In Canada 866-737-7770

BEST is a registered trademark of Broan. Cattura, VERTEX, Quiet Power—It's a Beautiful Thing, and Heat Sentry are trademarks of Broan. BEST[®] reserves the right to change specifications at any time without notice. ©2019 Broan | Printed in USA | 05/19 | 99850938F