

SPECIFICATIONS

FIGURE X480A

BRASS BODY BALL VALVES



LOW LEAD COMPLIANT 2-PC 400 WOG W/ COMPRESSION ENDS

FEATURES

- 400 WOG
- 150 psi WSP (366°F)
- Standard port
- NSF 61 Annex G certified (Annex G references NSF 372)
- Forged brass body & end cap
- Blow-out proof stem
- Adjustable packing
- Compression ends
- Drain with cap



NSF 61 ANNEX G



NOT FOR USE AT OR BELOW GROUND LEVEL

Constructed with a low lead forged brass body and end cap and with brass compression nuts, the FNW Figure X480A compression end ball valve can be used for potable water service in residential, commercial and industrial applications that require low lead content. Applications also include other liquids and saturated steam service to 150 PSI (366°F). The compression ends reduce installation time and eliminate possible seat damage compared to solder end valves. They are equally easy to uninstall for repair or replacement purposes.

Low Lead Compliant: Referring to laws defining "Lead Free" as wetted surface of pipe, fittings and fixtures in potable water systems that have a weighted average lead content $\leq 0.25\%$ per the Safe Drinking Water Act (Sec. 1417) amended 1-4-2011 as well as other state regulations.



CV & WEIGHT

Size (in.)	CV	Wt (lbs)
1/2	8	0.57
3/4	20	0.84
1	26	1.48

FIGURE NUMBER MATRIX

FNW X480A

SIZE CODE (IN.)

- 1/2 = D
- 3/4 = F
- 1 = G

PARTS BREAKDOWN

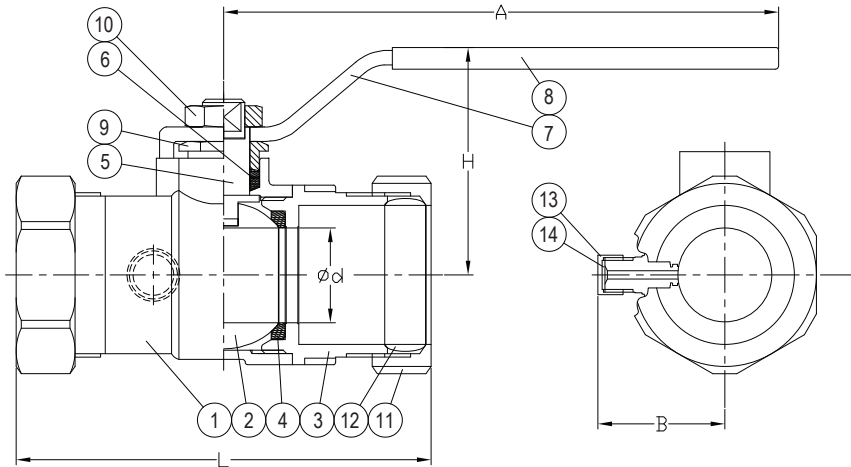
FIGURE X480A
BRASS BODY BALL VALVES



LOW LEAD COMPLIANT 2-PC 400 WOG W/COMPRESSION ENDS

PARTS DIAGRAM

REFERENCE CHART



Size (in.)	Dimensions (in.)				
	ØD	B	A	L	H
1/2	0.39	0.83	3.15	2.76	1.46
3/4	0.59	0.98	3.15	2.99	1.57
1	.75	1.10	4.33	3.62	1.85

PART MATERIALS & QUANTITY

Ref #	Description	Material	Qty
1	Body	Lead Free Brass, C46400	1
2	Ball	Lead Free Brass, C46400 (Chrome Plated)	1
3	End Cap	Lead Free Brass, C46400	1
4	Seat	PTFE	2
5	Stem	Brass, ASTM B16 C36000	1
6	Stem Packing	PTFE	1 Set
7	Handle	Steel, ASTM A283-D	1
8	Sleeve	Plastic, Vinyl	1
9	Packing Gland	Brass, ASTM B16 C36000	1
10	Handle Nut	Steel, AISI 1010	1
11	Compression Nut	Brass, ASTM B124 C37700	2
12	Compression Ring	Brass, ASTM B135 C26000	2
13	Drain Cap	Brass, ASTM B16 C36000	1
14	Drain Cap Seal	Rubber, NBR	1