

**SEDIMENT CONTROL SOLUTIONS FOR ALL
STORM WATER SYSTEMS & DEWATERING PROJECTS**



**You Can Depend
On Dandy Products
To Deliver!**

Dandy Products, Inc
1095 Harcourt Road, Mount Vernon, OH 43050
Customer Service: 800.591.2284 ex 702 • Fax: 740-397-1946
For complete product specs and information: www.dandyproducts.com

SEDIMENT CONTROL SOLUTIONS FOR ALL STORM WATER SYSTEMS & DEWATERING PROJECTS



The Storm Water Management Authority

Dandy Products, Inc.

1095 Harcourt Road
Mount Vernon, OH
43050

Customer Service:
800.591.2284 ex 702
Fax: 740-397-1946

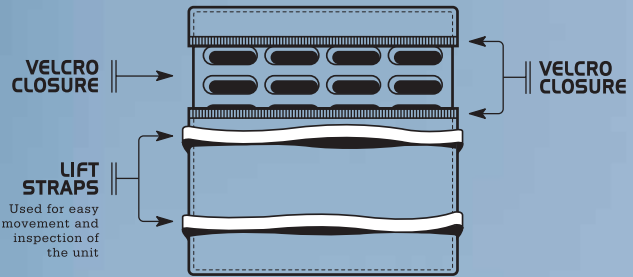
For complete product
specs and information
please visit our website
www.dandyproducts.com

In 1995, Dandy opened for business in Columbus, Ohio targeting the inlet protection needs of the construction industry. Their primary objective to engineer and produce the most complete line of stormwater solutions in the world drove the rapid expansion of their list of products.

In 2002, Dandy made great strides towards achieving their objective; to surface as the industry leader in stormwater filtration and inlet protection, when they partnered with Ten Cate Mirafi, a principle worldwide innovator in the manufacture and distribution of industrial fabrics and construction products. With this relationship, they gained a nationwide distribution network that provided hundreds of suppliers ready to respond to the growing need for regulatory compliant erosion and sediment control solutions. Not to mention the obvious benefit of forming an alliance with one of the industry's most respected leaders.

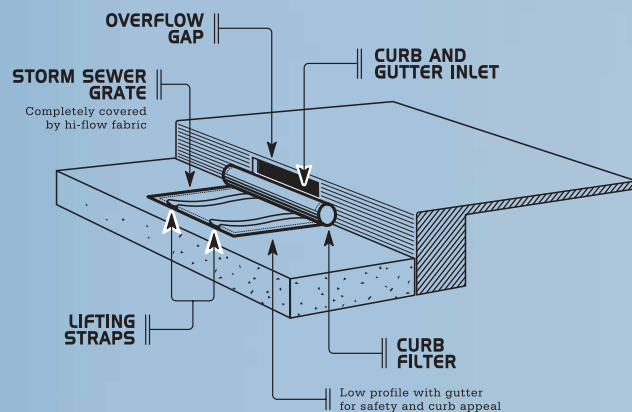
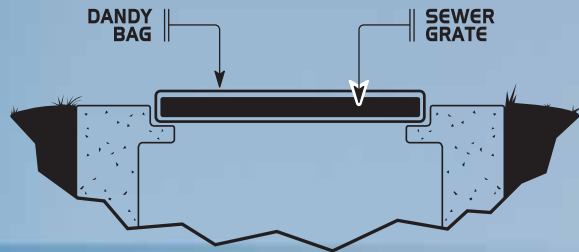
In the last 5 years Dandy has done it's best to continually improve the quality of their products and services as well as offer supportive tools that encourage industry regulatory compliance. They strive to efficiently manage every job with a can-do spirit so that from your first call to your final installation, you always know - - -

You Can Depend On Dandy Products To Deliver.



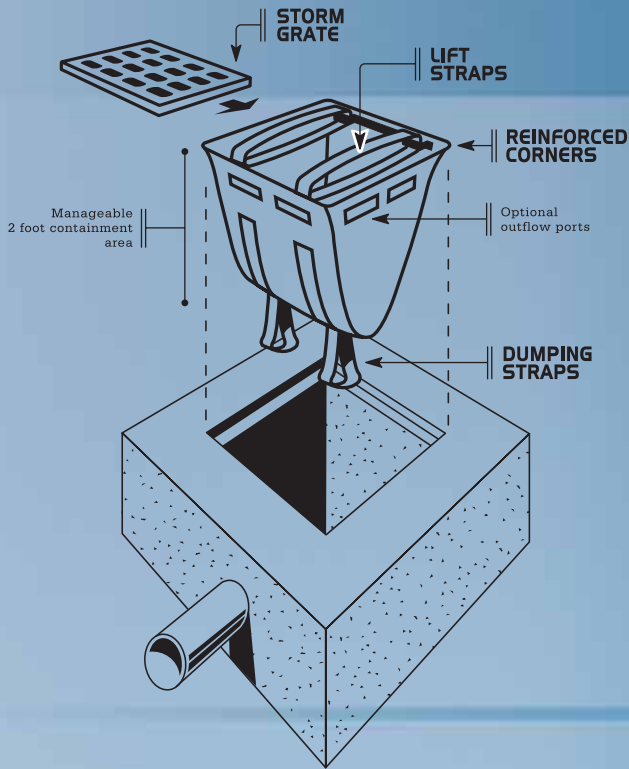
DANDY BAG®

You can tell it's Dandy the moment you open it up. Our patented flagship bag is designed to take a lot of hard knocks. Use the Dandy Bag with flat grates (including round) and mountable curbs to filter out all the sludgy sediment-laden storm water. The suspended solids are allowed to settle out of the slowed flow and are captured by the Dandy Bag prior to entering the inlet, ensuring you regulatory compliance performance.



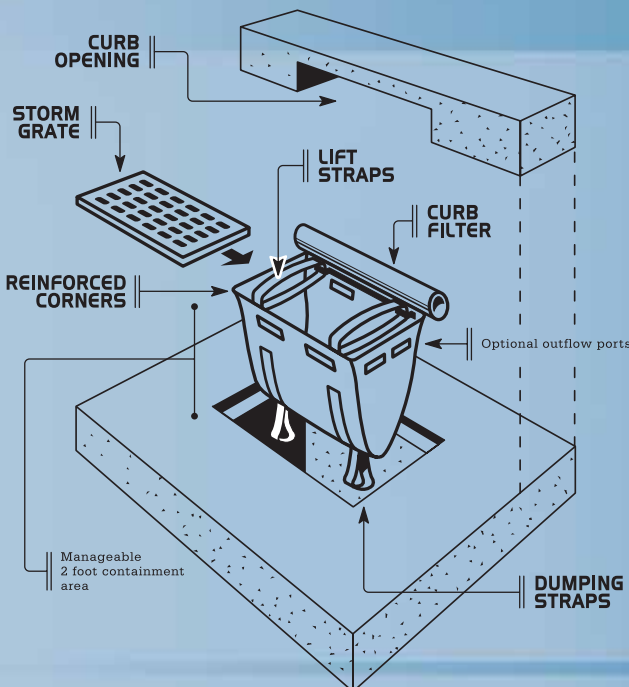
DANDY CURB BAG®

When you need to be confident of your filtration system - call on the strength of the Dandy Curb Bag. Patented and designed for use on curb and gutter inlets to filter out the most stubborn sediment-laden storm water. The suspended solids are allowed to settle out of the slowed flow and are captured by the rough and tough Dandy Curb Bag prior to entering the inlet.



DANDY SACK®

Quality is what the Dandy Sack is all about. This incredibly strong open-top bag is specially designed to hang underneath a storm grate to expertly filter the thickest sediment-laden storm water. The suspended solids are allowed to settle out of the slowed flow and are conveniently captured by the Dandy Sack prior to entering the inlet, making the sturdy Dandy Sack a storm water must.



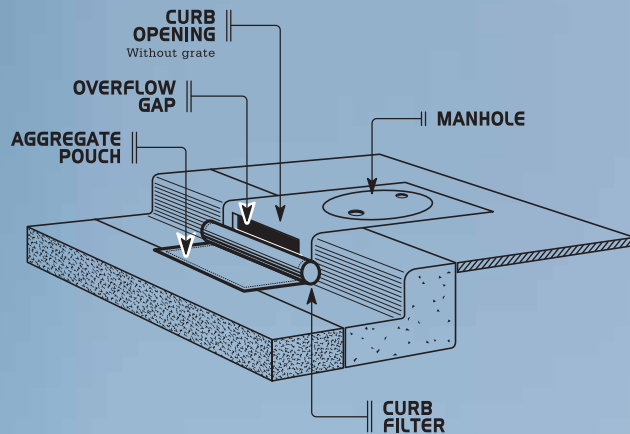
DANDY CURB SACK®

The rugged Dandy Curb Sack is extremely popular because it can handle jobs big and small and can be reused again and again. With an open-top design it fits to any size curb and gutter inlet. Its unique design allows it to filter sediment-laden water with ease. The suspended solids are allowed to settle out of the slowed flow and are captured quickly before entering the inlet. Once you've tried the durable Dandy Curb Sack you'll want to use them on every job.



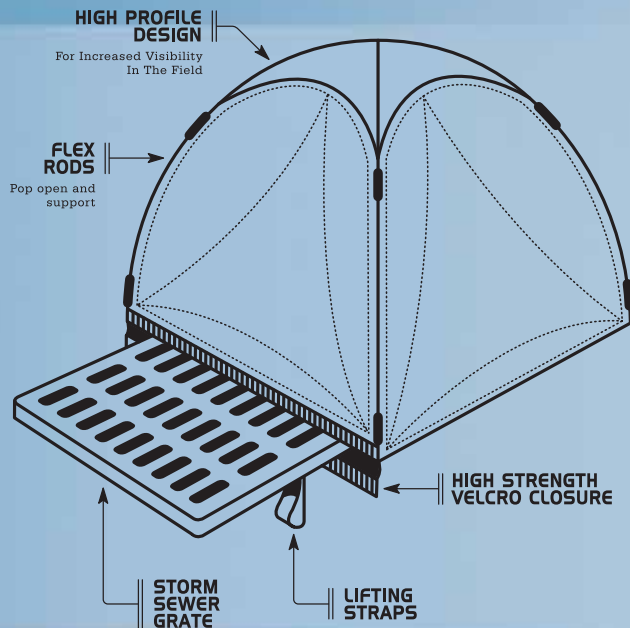
DANDY CURB®

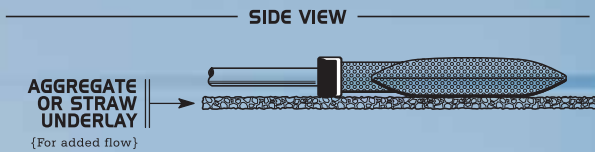
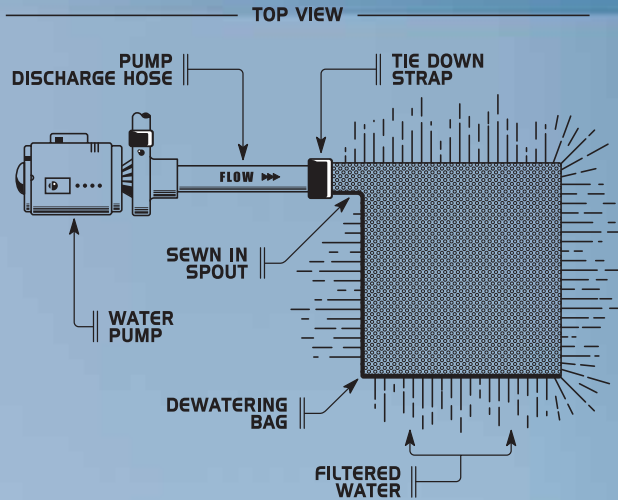
A study in durability is what you'll get with this Dandy Product. The Dandy Curb is made especially for curb inlets and median inlets without grates. It's designed to handle the worst that sludge-filled rainwater has to offer, filtering off sediment laden storm waters. The suspended solids are allowed to settle out of the slowed flow and are easily captured by the Dandy Curb prior to entering the inlet. Sediment doesn't stand a chance.



DANDY POP®

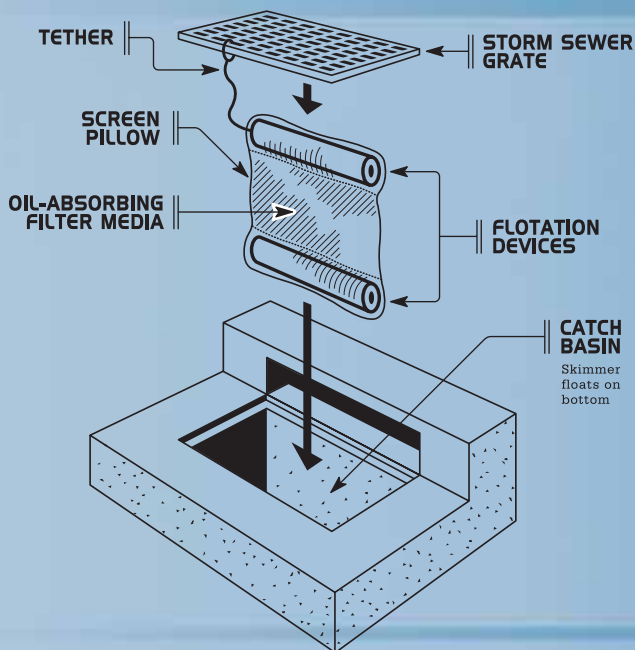
We are really excited about the patented Dandy Pop. It's designed for use with flat field grates to filter sediment-laden water and pops up in seconds. It's newly designed and hassle free so no more cumbersome silt fence or similar devices that either fall down or have infiltration points. The Dandy Pop fully encloses the grate, eliminating sediment infiltration. The suspended solids are allowed to settle out of the slowed flow and are easily captured prior to entering the inlet.





DANDY DEWATERING BAG®

Taking control to a new level, the Dandy Dewatering Bag is designed to control sediment discharge in dewatering applications where water is being pumped. When pumped water reaches the Dandy Dewatering Bag, the suspended solids are allowed to settle out of the slowed flow and are captured by the bag. Hassle-free and very convenient.



DANDY SKIMMER®

Oil contamination causing you a headache? May we suggest the Dandy Skimmer, it has got it all. Measuring 22" x 14" x 2" this uniquely designed screen pillow is filled with a polymer absorbent that has not one but two attached floatation devices. The oil absorbent material inside the skimmer easily captures the oil—permanently and continuously. We all know how difficult oil can be and the Dandy Skimmer can handle the worst of it.