

2 PC FULL PORT* 600 WOG

Features:

- 600 WOG Non-Shock
- 400 PSI Maximum for FM Approved Applications
- 150 WSP
- Full Port*
- Threaded NPT Ends (ANSI B1.20.1)
- Forged Brass Body & Endcap
- 100% Electronically Tested in Open & Closed Position at 80 PSI
- Meets MSS SP-110 Standards
- FM & CSA Approved (1/2"~2")
- Blow-out Proof Stem
- Dual O-ring Non-adjustable Packing**
- Accessories (Sold Separately)
 - Lock Lever Kit (1/4"~4")
 - Stem Extension Kit (1/4"~4")
 - Tee Handle Kit (1/4"~1")
 - Oval Handle Kit (1/4"~2")
 - Memory Stop Kit (1/4"~2")
 - Stainless Handle (1/4"~2")



* 4" Valve is Standard Port

** 1/4" & 3/8" Utilize one o-ring, one packing ring and adjustable packing nut



NOT FOR USE AT OR BELOW GROUND LEVEL

WARNING:

- This product contains lead or lead compounds known to the State of California to cause cancer and birth defects and other reproductive harm.
- Do not use in connection with drinking water.**

Gas Approvals

- CSA Class 3371-08, ANSI Z21.15/CSA9.1, 1/2 PSIG, -40°F~149°F
- CSA Class 3371-10, CGA 3.16, 125 PSIG, -40°F~149°F
- CSA Class 3371-12, CR91-002, 2 & 5 PSIG, -40°F~149°F
- CSA Class 3371-88, ANSI Z21.15/CSA9.1, 1/2 PSIG, -40°F~149°F
- CSA Class 3371-90, ASME B16.33/B16.38, 125 PSIG, -40°F~149°F
- CSA Class 3371-92, ASME B16.44, 5 PSIG, -40°F~149°F

Figure Number Matrix

FNW 415 Size	
SIZE CODE	
1/4 = B	1-1/2 = J
3/8 = C	2 = K
1/2 = D	2-1/2 = L
3/4 = F	3 = M
1 = G	4 = P
1-1/4 = H	

Kit Codes (Order Separately)

FNW 420 Kit Size	
KIT TYPE	SIZE CODE
Locking Handle = LHK	1/4"~1/2" = BD
Stem Extension = SE	3/4"~1" = FG
Tee Handle = THK	1-1/4"~1-1/2" = HJ
Oval Handle = OHK	2" = K
Memory Stop = MSK	2-1/2"~4" = LM
Stainless Handle = SSHK	

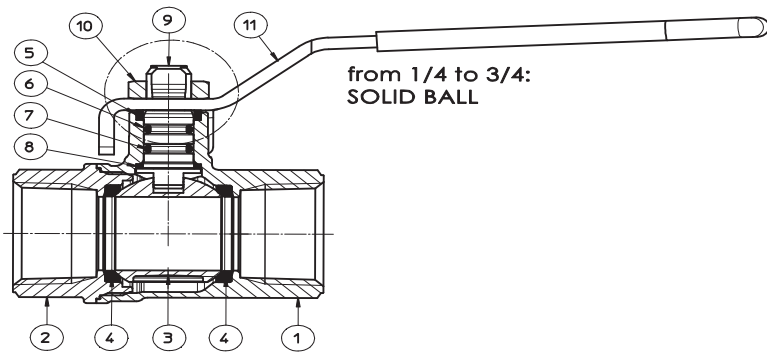
Note: The figure 415 uses the same accessories as the 420. Since the 4" valve is standard port, the accessories for the 2-1/2", 3" valves also fit the 4" size.

BRASS BODY BALL VALVES

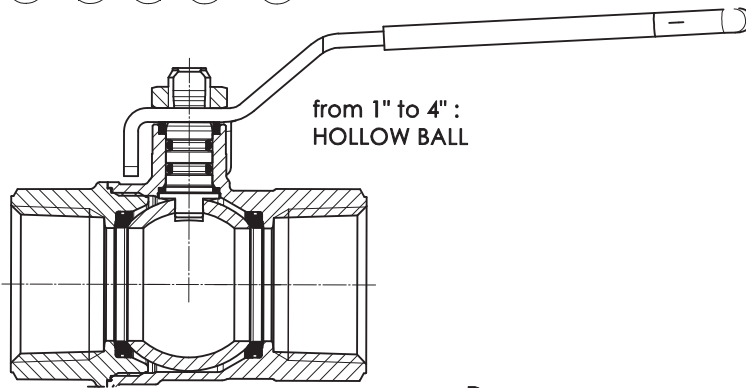
2 PC FULL PORT* 600 WOG

Standard Materials

Ref. No.	Description	Material	Qty
1	Body	Brass CW 617N	1
2	End Conn	Brass CW 617N	1
3	Ball	Brass CW 617N	1
4	Seat	PTFE	2
5	Packing Ring	PTFE	1
6	O-ring	FKM	1
7	Thrust Washer	PTFE	1
7	O-ring	NBR	1
9	Stem	Brass CW 614N	1
10	Nut	Steel CL 04	1
11	Handle	Steel DD11	1

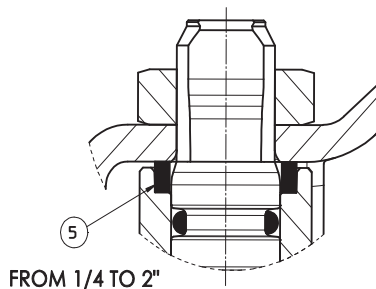
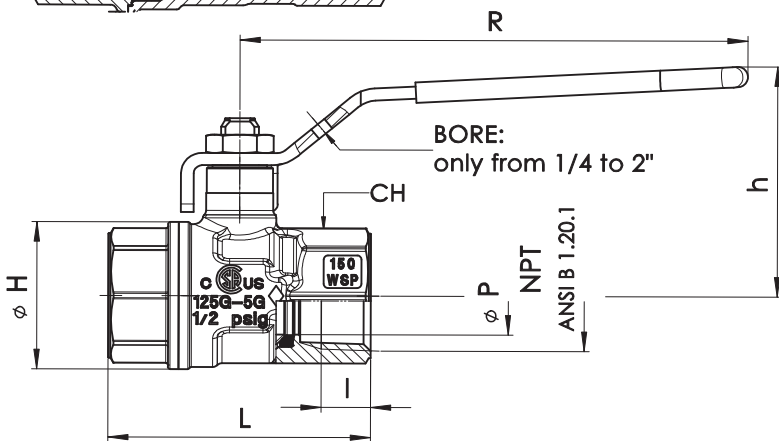


from 1" to 4" :
HOLLOW BALL



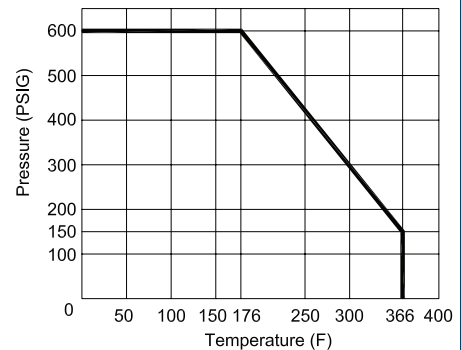
Dimensions (inches)

Size	ØP	I	L	ØH	CH	R	h	Wt.
1/4	0.39	0.39	2.03	0.91	0.79	3.78	1.67	0.34
3/8	0.39	0.41	2.03	0.91	0.79	3.78	1.67	0.31
1/2	0.55	0.54	2.22	1.18	0.98	3.78	1.77	0.40
3/4	0.75	0.55	2.46	1.42	1.22	4.76	2.22	0.70
1	0.94	0.66	3.01	1.71	1.50	4.76	2.32	1.00
1-1/4	1.19	0.68	3.37	2.09	1.89	5.94	2.85	1.66
1-1/2	1.50	0.68	3.70	2.56	2.13	5.94	3.09	2.20
2	1.95	0.70	4.33	3.39	2.64	6.30	3.70	3.82
2-1/2	2.44	0.93	5.16	4.09	3.27	8.07	4.59	6.75
3	2.99	1.02	5.94	4.96	3.86	8.07	4.98	9.82
4	2.99	1.09	6.50	5.28	4.92	8.07	4.98	12.57



Cv & Weights

Size	Cv	Wt. (Lbs)
1/4	6	0.34
3/8	7	0.30
1/2	19	0.40
3/4	34	0.70
1	45	0.97
1-1/4	75	1.63
1-1/2	180	2.17
2	210	3.83
2-1/2	400	6.69
3	650	9.88
4	650	12.51



DOC: FNW41513 Ver. 12/2017

© 2017 - FNW. All rights reserved. 137539

The FNW logo is a trademark of Ferguson Enterprises, Inc., PL Sourcing, PO Box 2778, Newport News, VA 23609

The contents of this publication are presented for information purposes only, and while effort has been made to ensure their accuracy, they are not to be construed as warranties or guarantees, expressed or implied, regarding the products or services described herein or their use or applicability. All sales are governed by our terms and conditions, which are available on request. We reserve the right to modify or improve the designs or specifications of our products at any time without notice. Always verify that you have the most recent product specifications or other documentation prior to the installation of these products.