

# 200LLF Brass Globe Valve • Spec Sheet

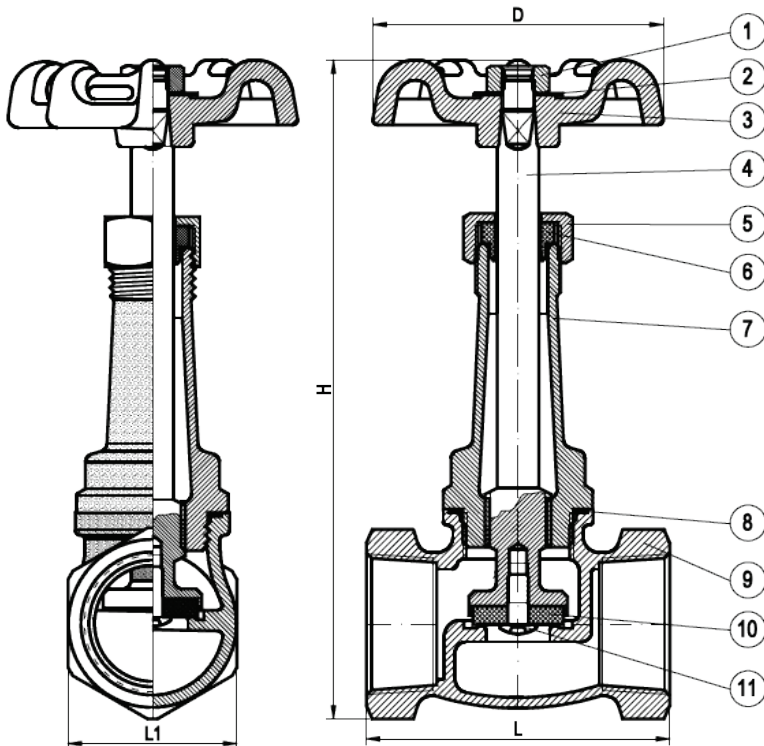


## FEATURES & BENEFITS

- Lead Free Brass\*
- ISO 9002
- 125 PSI
- Long Bonnet
- Straight Pattern
- Soft Seat
- Threaded or Solder Ends
- Size 1/2" - 3/4"

## DIMENSIONS

Part #	Size	H	L	L1	D
200LT3LF	1/2" Threaded	4.71	2.11	1.06	2.11
200LT4LF	3/4" Threaded	4.79	2.21	1.23	2.11
200LC3LF	1/2" Sweat	4.65	2.11	1.12	2.11
200LC4LF	3/4" Sweat	4.71	2.71	1.17	2.11



## MATERIAL SPECIFICATIONS

No.	Part	Material
1	Wheel Nut	Hot Rolled Wire Rods
2	Name Plate	Aluminum
3	Hand Wheel	Carbon Steel
4	Stem	Brass C46400
5	Packing Nut	Brass B124 C37700
6	Packing	BUNA SN-719F
7	Bonnet	Brass C46400
8	Washer	FIBRE 'H'
9	Seat Packing	BUNA SN-719F
10	Seat Screw	JIS H3260 C2600W
11	Body	Brass C46400

\* These product complies with 0.25% weighted average lead content on wetted surfaces in accordance with Safe Water Drinking Act (SDWA) / Federal Public Law No. 111-380.



Global sourcing. National compliance. Local service.

**CALIFORNIA** 5593 Fresca Dr., La Palma CA 90623 • Toll Free: 866-532-8306 • Fax: 866-532-8307  
**TEXAS** 1150 Silber Rd., Houston TX 77055 • Toll Free: 800-935-5456 • Fax: 713-680-2999  
**NEW YORK** PO Box 27, Rt. 22, Brewster NY 10509 • Toll Free: 800-431-2082 • Fax: 845-278-9056  
 WEB: [www.matco-norca.com](http://www.matco-norca.com) EMAIL: [mail@matco-norca.com](mailto:mail@matco-norca.com)