

525TLF Inline Check Valve • Spec Sheet

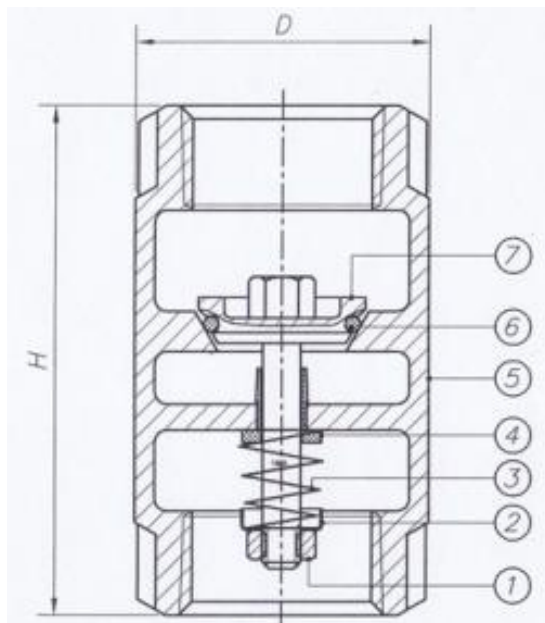


FEATURES & BENEFITS

- Lead Free Bronze*
- In-Line Check Valve - Spring Loaded
- 200 CWP
- 0.516 Crack Pressure
- Temperature Rating 180°F
- Threaded Ends Comply with ANSI B2.1
- NSF-61 Approved
- ISO-9002
- Sizes 1/2" – 2"

DIMENSIONS

Part #	Size	D	H
525T03LF	1/2"	1.26	2.40
525T04LF	3/4"	1.50	2.74
525T05LF	1"	1.77	3.23
525T06LF	1-1/4"	2.13	3.62
525T07LF	1-1/2"	2.36	4.04
525T08LF	2"	3.03	5.04



MATERIAL SPECIFICATIONS

No.	Part	Material
1	Stem Nut	Stainless Steel 304
2	Spring Holder	Stainless Steel 304
3	Spring	Stainless Steel 304
4	Stem House	Plastic
5	Body	Bronze C89844
6	O-Ring	BUNA SN-919F
7	Stem	Bronze C89844

*This product complies with 0.25% weighted average lead content on wetted surfaces in accordance with the Safe Drinking Water Act (SDWA) / Federal Public Law No. 111-380.



Global sourcing. National compliance. Local service.

CALIFORNIA 5593 Fresca Dr., La Palma CA 90623
TEXAS 1150 Silber Rd., Houston TX 77055
ILLINOIS 278 Windy Point Dr., Glendale Heights, IL 60139
NEW YORK PO Box 27, Rt.22, Brewster NY 10509
 WEB: www.matco-norca.com

• Phone: 866-532-8306 • Fax: 866-532-8307
 • Phone: 800-935-5456 • Fax: 713-680-2999
 • Phone: 844-412-5068 • Fax: 800-640-2252
 • Phone: 800-431-2082 • Fax: 845-278-9056
 EMAIL: mail@matco-norca.com

525CLF Inline Check Valve • Spec Sheet

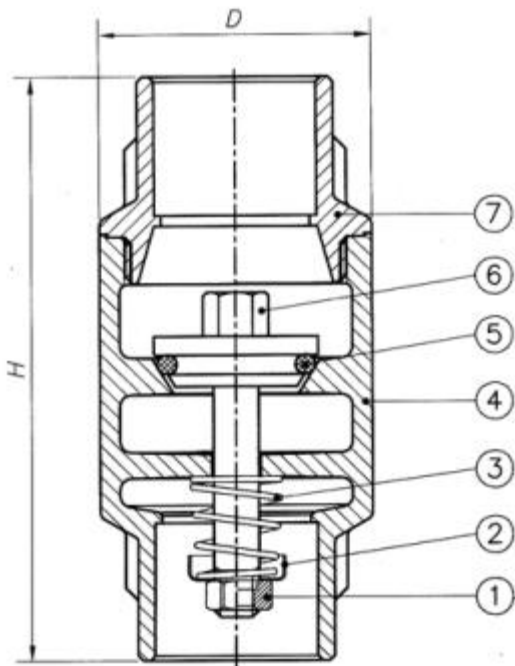


FEATURES & BENEFITS

- Lead Free Bronze*
- In-Line Check Valve - Spring Loaded
- 200 CWP
- 0.516 Crack Pressure
- Temperature Rating 180°F
- Sweat Ends Comply with ANSI B16.18
- NSF-61 Approved
- ISO-9002
- Sizes 1/2" – 2"

DIMENSIONS

Part #	Size	D	H
525C03LF	1/2"	1.26	2.77
525C04LF	3/4"	1.50	3.53
525C05LF	1"	1.77	4.09
525C06LF	1-1/4"	2.17	4.67
525C07LF	1-1/2"	2.37	4.93
525C08LF	2"	3.05	6.06



MATERIAL SPECIFICATIONS

No.	Part	Material
1	Stem Nut	Stainless Steel 304
2	Spring Holder	Stainless Steel 304
3	Spring	Stainless Steel 304
4	Body	Bronze C89844
5	O-Ring	BUNA SN-919F
6	Stem	Bronze C89844
7	Bonnet	Bronze C89844

*This product complies with 0.25% weighted average lead content on wetted surfaces in accordance with the Safe Drinking Water Act (SDWA) / Federal Public Law No. 111-380.



Global sourcing. National compliance. Local service.

CALIFORNIA 5593 Fresca Dr., La Palma CA 90623
TEXAS 1150 Silber Rd., Houston TX 77055
ILLINOIS 278 Windy Point Dr., Glendale Heights, IL 60139
NEW YORK PO Box 27, Rt.22, Brewster NY 10509
 WEB: www.matco-norca.com

• Phone: 866-532-8306 • Fax: 866-532-8307
 • Phone: 800-935-5456 • Fax: 713-680-2999
 • Phone: 844-412-5068 • Fax: 800-640-2252
 • Phone: 800-431-2082 • Fax: 845-278-9056
 EMAIL: mail@matco-norca.com