

# 240LF Brass Angle Globe Valve • Spec Sheet



\*Product will have LF imprinted on the body for Lead Free

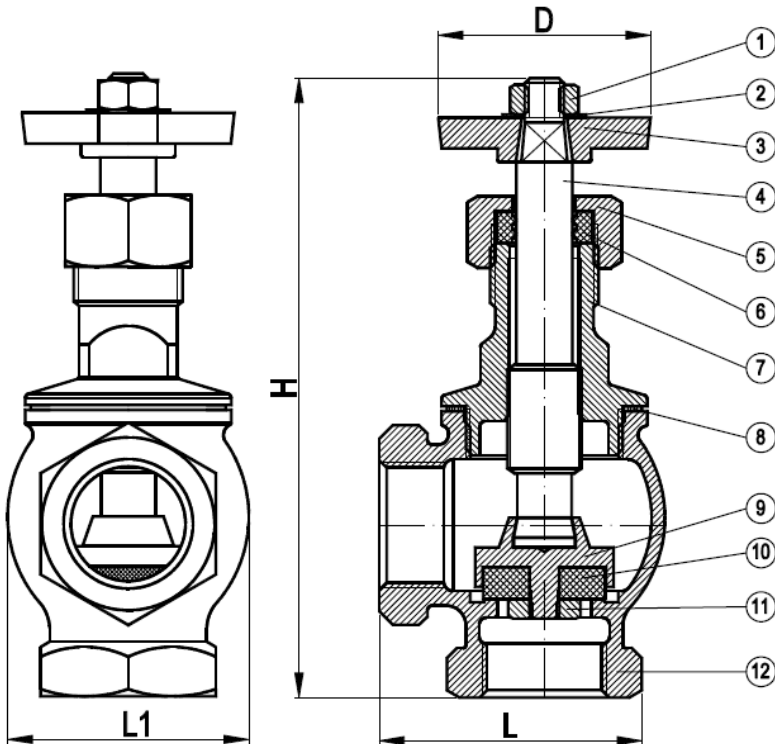
## FEATURES & BENEFITS

- Lead Free Brass\*
- ISO 9002
- 200 PSI CWP
- Angle Control Valve
- Globe Pattern
- FIP 3/4" - 2"

## DIMENSIONS

Part #	Size	H	L	D	L1
240T04LF	3/4"	4.95	2.13	1.69	1.92
240T05LF	1"	5.31	2.63	1.69	2.04

\*1-1/4" - 2" On Next Page\*



## MATERIAL SPECIFICATIONS

No.	Part	Material
1	Wheel Nut	Brass B124 C37700
2	Name Plate	Aluminum A 1070
3	Cross Handle	Brass B584 C85710
4	Stem	Brass C 89550 / C 46400
5	Packing Nut	Brass B124 C37700
6	Packing	SE-719F / SN-719F
7	Bonnet	Brass C 89550 / C 46400
8	Washer	FIBRE "H"
9	Seat House	Brass C 89550 / C 46400
10	Seat	SE-719F / SN-719F
11	Seat Nut	Brass C 89550 / C 46400
12	Body	Brass C 89550 / C 46400

• This product complies with 0.25% weighted average lead content on wetted surfaces in accordance with the Safe Water Drinking Act (SDWA) / Federal Public Law No. 111-380.



# 240LF Brass Angle Globe Valve • Spec Sheet



## FEATURES & BENEFITS

- Lead Free Brass\*
- ISO 9002
- 200 PSI CWP
- Angle Control Valve
- Globe Pattern
- FIP 3/4" - 2"

## DIMENSIONS

Part #	Size	D	H	L
240T06LF	1-1/4"	1.73	4.96	2.05
240T07LF	1-1/2"	1.73	5.44	2.28
240T08LF	2"	1.73	5.99	2.65
240T08HLF*	2"	4.33	8.55	2.65

\*With Wheel Handle

## MATERIAL SPECIFICATIONS

No.	Part	Material
1	Wheel Nut	Hot Rolled SAE 1010R
2	Name Plate	Aluminum A 1070
3	Cross Handle	Brass B584 C85700
	Wheel Handle	Bronze B584 C84400
4	Packing Nut	Brass B584 C85700
5	Gland Packing	Rubber (NBR) SN-919F
6	Bonnet	Brass C 89550
7	Packing	FIBRE "H"
8	Stem	Brass C 89550
9	Seat Holder	Brass C 89550
10	Seat Packing	Rubber (NBR) SN-919F
11	Washer	Brass C 89550
12	Seat Nut	Brass C 89550
13	Body	Brass C 89550

\* This product complies with 0.25% weighted average lead content on wetted surfaces in accordance with the Safe Water Drinking Act (SDWA) / Federal Public Law No. 111-380.

