

# 754PXLF Pex Ball Valve • Spec Sheet

1/2" – 1"



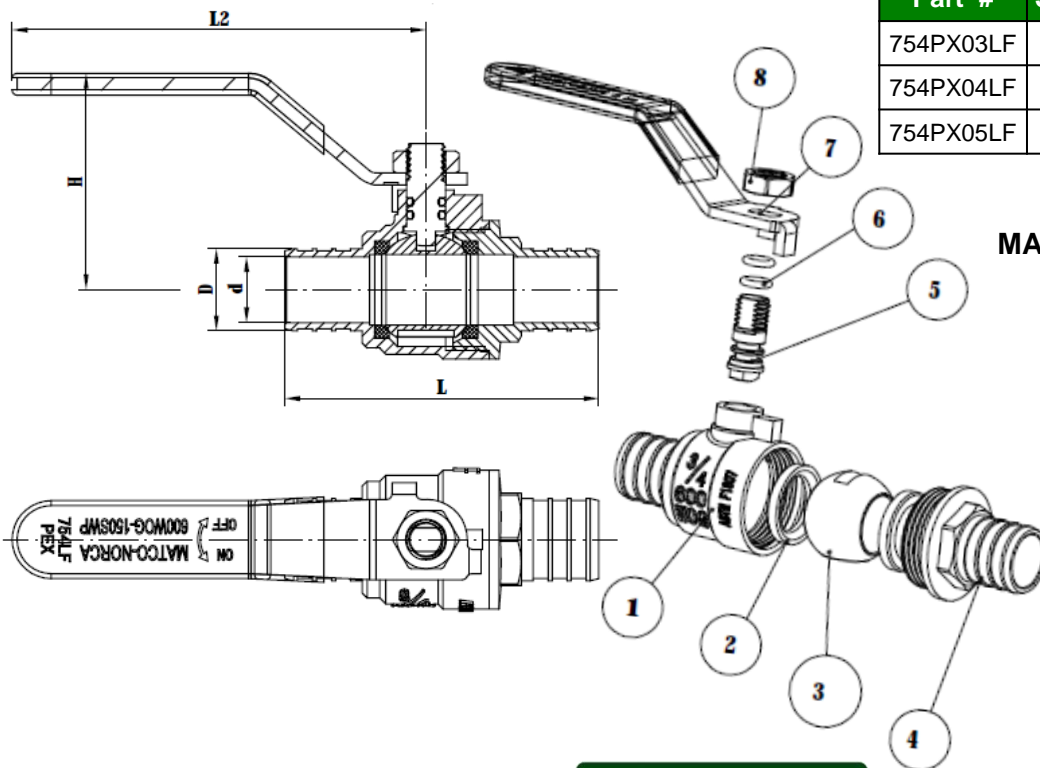
\*Product will have LF imprinted on the body for Lead Free

## FEATURES & BENEFITS

- Lead Free Forged Brass\*
- 400 WOG - 150 SWP
- Full Port
- NSF Approved
- 1/4 Turn With Packing Nut
- Two Piece Body
- Blow Out Proof Stem
- With Waste Drain & Drop Ear
- Option Available
- Sizes 1/2" - 2"

## DIMENSIONS

Part #	Size	D	d	H	L	L2
754PX03LF	1/2"	0.47	0.35	1.59	2.36	3.34
754PX04LF	3/4"	0.67	0.53	1.70	2.53	3.34
754PX05LF	1"	0.86	0.71	2.03	3.12	4.02



## MATERIAL SPECIFICATIONS

No.	Part	Material
1	Body	Brass
2	Seat Ring	PTFE
3	Ball	Brass
4	Bonnet	Brass
5	Stem	Brass
6	O-Ring	NBR
7	Handle	Iron
8	Nut	Iron

\*This product complies with 0.25% weighted average lead content on wetted surfaces in accordance with the Safe Drinking Water Act (SDWA) / Federal Public Law No. 111-380.



Global sourcing. National compliance. Local service.

**CALIFORNIA** 5595 Fresca Dr., La Palma CA 90623  
**TEXAS** 1150 Silber Rd., Houston TX 77055  
**ILLINOIS** 278 Windy Point Dr., Glendale Heights, IL 60139  
**GEORGIA** 113 Industrial Blvd., Americus, Georgia 31709  
**NEW YORK** PO Box 27, Rt.22, Brewster NY 10509  
 WEB: [www.matco-norca.com](http://www.matco-norca.com)

• Phone: 866-532-8306 • Fax: 866-532-8307  
 • Phone: 800-935-5456 • Fax: 713-680-2999  
 • Phone: 844-412-5068 • Fax: 800-640-2252  
 • Phone: 800-433-7526 • Fax: 800-533-5134  
 • Phone: 800-431-2082 • Fax: 845-278-9056  
 EMAIL: [mail@matco-norca.com](mailto:mail@matco-norca.com)

# 754PXLF Pex Ball Valve • Spec Sheet

1-1/4" – 2"

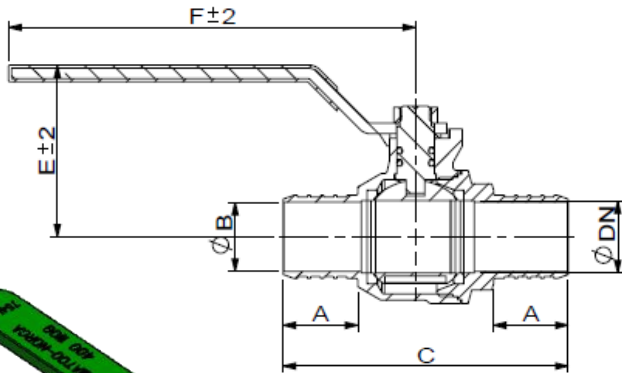


## FEATURES & BENEFITS

- Lead Free Forged Brass\*
- 400 WOG - 150 SWP
- Full Port
- NSF Approved
- 1/4 Turn With Packing Nut
- Two Piece Body
- Blow Out Proof Stem
- With Waste Drain & Drop Ear Option Available
- Sizes 1/2" - 2"

## DIMENSIONS

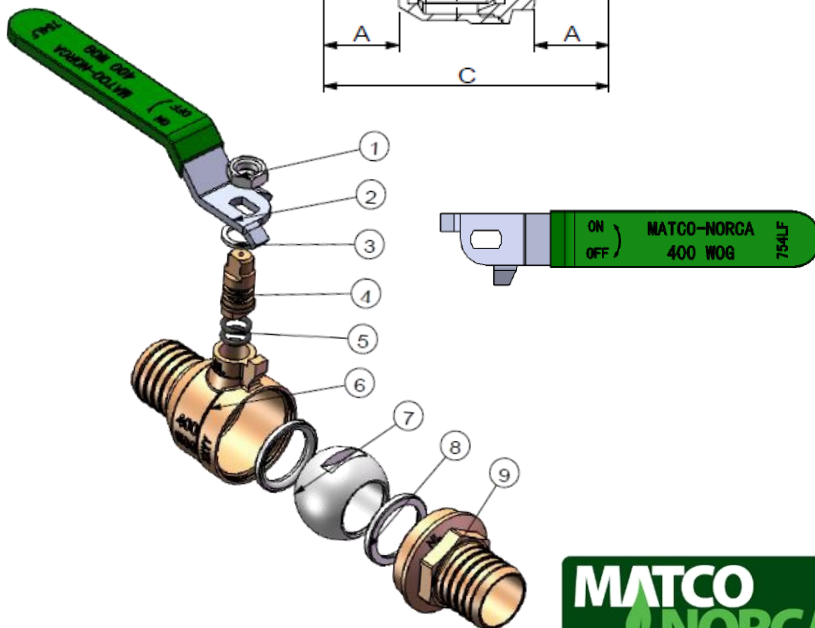
Part #	Size	DN	A	B	C	E	F
754PX06LF	1-1/4"	0.91	0.94	0.87	3.59	2.16	5.12
754PX07LF	1-1/2"	0.99	1.15	1.02	4.13	2.21	5.12
754PX08LF	2"	1.34	1.50	1.37	5.32	2.49	5.12



## MATERIAL SPECIFICATIONS

No.	Part	Material
1	Hex Nut	Steel
2	Handle	Steel
3	Washer	PTFE
4	Stem	1-1/4"-1-1/2" - Brass C46500 2" - Brass C36000
5	O-Ring	EPDM
6	Body	Brass C46500
7	Ball	1-1/4"-1-1/2" - C.P. Brass C46500 2" - Stainless Steel
8	Seat	PTFE
9	Bonnet	Brass C46500

\*This product complies with 0.25% weighted average lead content on wetted surfaces in accordance with the Safe Drinking Water Act (SDWA) / Federal Public Law No. 111-380.



Global sourcing. National compliance. Local service.

**CALIFORNIA** 5595 Fresca Dr., La Palma CA 90623  
**TEXAS** 1150 Silber Rd., Houston TX 77055  
**ILLINOIS** 278 Windy Point Dr., Glendale Heights, IL 60139  
**GEORGIA** 113 Industrial Blvd., Americus, Georgia 31709  
**NEW YORK** PO Box 27, Rt.22, Brewster NY 10509  
 WEB: [www.matco-norca.com](http://www.matco-norca.com)

• Phone: 866-532-8306 • Fax: 866-532-8307  
 • Phone: 800-935-5456 • Fax: 713-680-2999  
 • Phone: 844-412-5068 • Fax: 800-640-2252  
 • Phone: 800-433-7526 • Fax: 800-533-5134  
 • Phone: 800-431-2082 • Fax: 845-278-9056  
 EMAIL: [mail@matco-norca.com](mailto:mail@matco-norca.com)

# 754PXDEL F Pex Ball Valve • Spec Sheet



## FEATURES & BENEFITS

- Lead Free Forged Brass\*
- 400 WOG - 150 SWP
- Full Port
- NSF Approved
- Pex Ends
- Two Piece Body
- Blow Out Proof Stem
- With Waste Drain & Drop Ear Elbow
- Sizes 1/2" - 1"

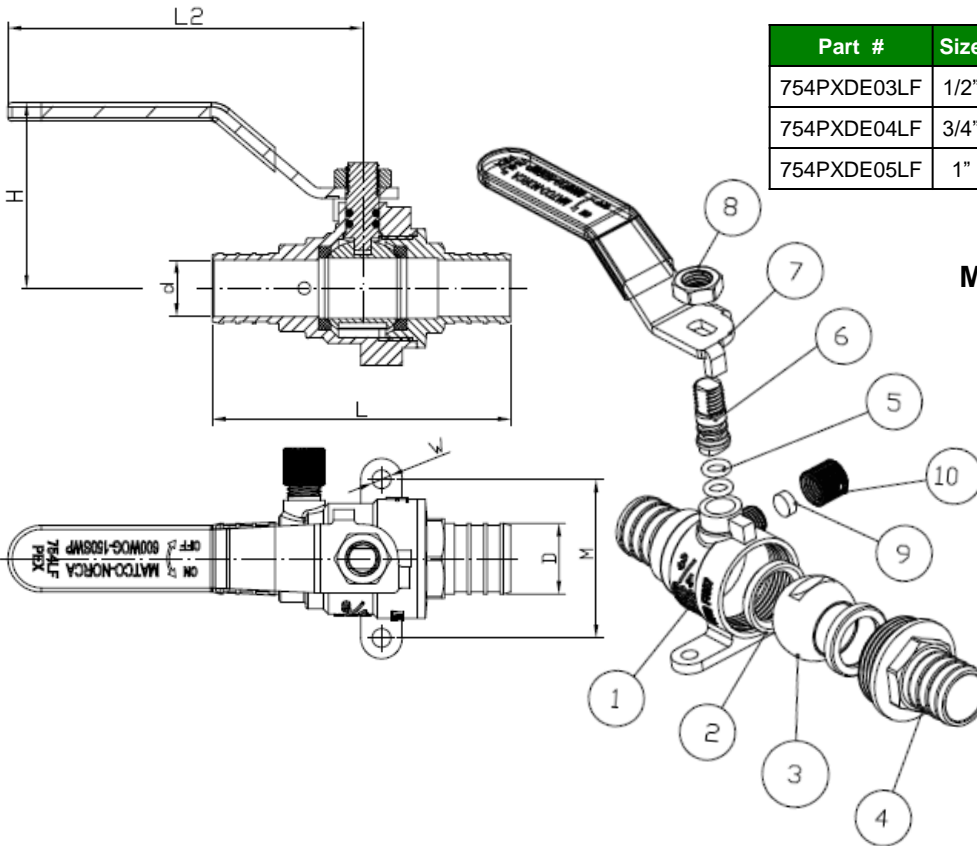
## DIMENSIONS

Part #	Size	D	d	H	L	L2	M	W
754PXDE03LF	1/2"	0.47	0.35	1.59	2.66	3.34	1.24	0.18
754PXDE04LF	3/4"	0.67	0.53	1.70	2.81	3.34	1.50	0.18
754PXDE05LF	1"	0.86	0.71	2.03	3.40	4.02	1.81	0.18

## MATERIAL SPECIFICATIONS

No.	Part	Material
1	Body	Brass
2	Seat Ring	PTFE
3	Ball	Brass
4	Bonnet	Brass
5	O-Ring	NBR
6	Stem	Brass
7	Handle	Iron
8	Nut	Iron
9	Gasket	NBR
10	Plug	NBR

\*This product complies with 0.25% weighted average lead content on wetted surfaces in accordance with the Safe Drinking Water Act (SDWA) / Federal Public Law No. 111-380.



Global sourcing. National compliance. Local service.

**CALIFORNIA** 5595 Fresca Dr., La Palma CA 90623  
**TEXAS** 1150 Silber Rd., Houston TX 77055  
**ILLINOIS** 278 Windy Point Dr., Glendale Heights, IL 60139  
**GEORGIA** 113 Industrial Blvd., Americus, Georgia 31709  
**NEW YORK** PO Box 27, Rt.22, Brewster NY 10509  
 WEB: [www.matco-norca.com](http://www.matco-norca.com)

• Phone: 866-532-8306 • Fax: 866-532-8307  
 • Phone: 800-935-5456 • Fax: 713-680-2999  
 • Phone: 844-412-5068 • Fax: 800-640-2252  
 • Phone: 800-433-7526 • Fax: 800-533-5134  
 • Phone: 800-431-2082 • Fax: 845-278-9056  
 EMAIL: [mail@matco-norca.com](mailto:mail@matco-norca.com)