

# 646ASLF Back Flow Preventer • Spec Sheet

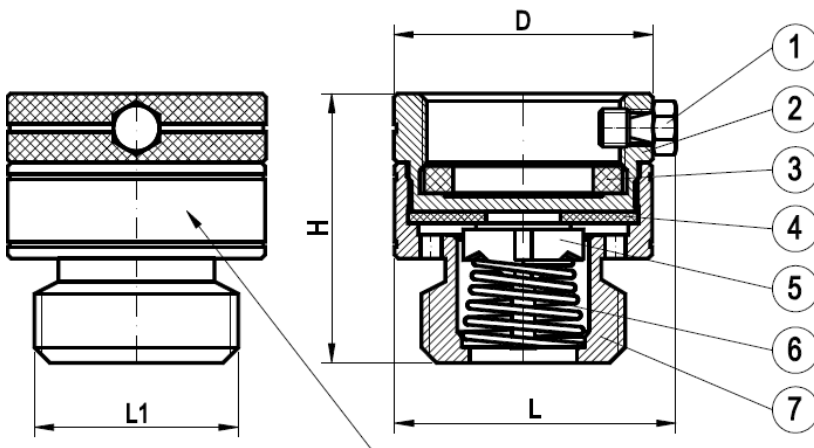


## FEATURES & BENEFITS

- Lead Free Brass\*
- ISO-9002
- ASSE Standard 1011 and UPC/ IAPMO
- Brass Finish (646AS4LF)
- Chrome-Plated (646ASCLF)
- Available Display Carded
- Break-away Set Screw
- 3/4" Garden Hose Threads

## DIMENSIONS

Part #	H	L	L1	D
646AS4LF (Brass)	1.38	1.44	1.04	1.33
646ASCLF (Chrome)	1.38	1.44	1.04	1.33



## MATERIAL SPECIFICATIONS

No.	Part	Material
1	Bolt	Brass B124 C37700
2	Bonnet	Brass C89550 / C46400
3	Packing	BUNA SN-719F
4	Seat Packing	BUNA SN-719F
5	Spring House	POM-M90 Polyacetal
6	Spring	Stainless Steel 304
7	Body	Brass C89550 / C46400

## MARKING ON PRODUCT

ASSE 1011 UPC® SF® B 64.2 125 PSI 180° F INDONESIA LVB 3/4"

\*This product complies with 0.25% weighted average lead content on wetted surfaces in accordance with the Safe Drinking Water Act (SDWA) / Federal Public Law No. 111-380.



Global sourcing. National compliance. Local service.

**CALIFORNIA** 5595 Fresca Dr., La Palma CA 90623  
**TEXAS** 1150 Silber Rd., Houston TX 77055  
**ILLINOIS** 278 Windy Point Dr., Glendale Heights, IL 60139  
**GEORGIA** 113 Industrial Blvd., Americus, Georgia 31709  
**NEW YORK** PO Box 27, Rt.22, Brewster NY 10509  
 WEB: [www.matco-norca.com](http://www.matco-norca.com)

• Phone: 866-532-8306 • Fax: 866-532-8307  
 • Phone: 800-935-5456 • Fax: 713-680-2999  
 • Phone: 844-412-5068 • Fax: 800-640-2252  
 • Phone: 800-433-7526 • Fax: 800-533-5134  
 • Phone: 800-431-2082 • Fax: 845-278-9056  
 EMAIL: [mail@matco-norca.com](mailto:mail@matco-norca.com)