

THIS SPACE FOR DESIGNER/ENGINEER APPROVAL

Job/Customer _____	Date _____	Contractor _____
Model Specified _____	Qty _____	Approved By _____
Designer/Engineer _____	Date _____	Contractor's PO# _____
Submitted by _____	Date _____	Other _____

5061 Series

**Full Port Forged Brass Ball Valves
w/ Hi-Flow Hose Drain, Adjustable Packing Gland
& Reversible Handle**

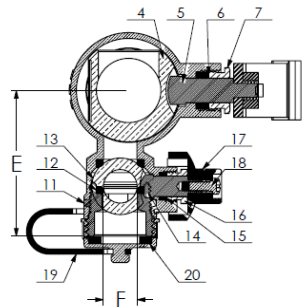
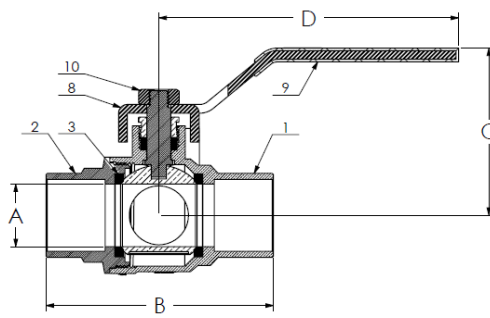
**CxC
600 WOG
ISO 9001**



**LEAD FREE
CLEAN
BRASS**
THE CLEAR CHOICE
FOR THE PROFESSIONAL

**Lead free products
are certified to
NSF/ANSI 61
& NSF/ANSI 372**

STANDARD BRASS ITEM #	LEAD FREE ITEM #	SIZE	CTN	CASE (Lead Free QTY)	A	B	C	D	E	F
50612	50612W	1/2"	6	36	1/2	2	2	3 7/8	2 1/2	1/2
50613	50613W	3/4"	6	36	3/4	2 7/8	2 1/16	3 7/8	2 3/8	1/2
50614	50614W	1"	4	24	1	3 9/16	2 5/8	4 5/8	2 1/2	1/2
50615	50615W	1 1/4"	2	12	1 1/4	3 7/8	3	4 5/8	3	3/4
50616	50616W	1 1/2"	2	12 (8)	1 1/2	4 5/8	3 1/2	5 5/8	3 1/16	3/4
50617	50617W	2"	1	6	2	5 1/2	4	5 5/8	4	3/4



NO.	DESCRIPTION	MATERIAL
1	BODY	BRASS
2	END CAP	BRASS
3	SEAT	PTFE
4	BALL	BRASS HCP
5	STEM	BRASS
6	STEM SEAL	PTFE
7	PACKING GLAND	BRASS
8	LEVER HANDLE	STEEL CP
9	HANDLE JACKET	VINYL
10	HANDLE NUT	STAINLESS STEEL
11	END CAP	BRASS
12	SEAT	PTFE
13	BALL	BRASS HCP
14	STEM	BRASS
15	STEM SEAL	PTFE
16	PACKING GLAND	BRASS
17	HANDLE	ENAMEL COATED ALUMINUM
18	HANDLE SCREW	BRASS
19	CAP & STRAP	BRASS W/ PVC STRAP
20	WASHER	EPDM



TEMP °F	PSI
100	600
150	485
200	395
250	210
300	N/A
350	N/A
366	N/A

Specifications: Designed for residential, commercial or industrial use with water, oil or gas. This approved Webstone valve is actuated by a blowout proof stem and features an adjustable packing gland. Solder joint temperature ratings are per ASME B16.18 Annex A for 95-5 solder. Other solder materials have lower pressure/temperature limits. Do not silver braze or overheat valves when soldering.



Quality and Commitment Since 1954

www.webstonevalves.com • P: (800) 225-9529 • F: (800) 336-5133

Webstone product specifications in U.S. customary units are approximate and are provided for reference only. Webstone reserves the right to change or modify product design, construction, specifications or materials without prior notice and without incurring any obligation to make such changes and modifications on Webstone products previously or subsequently sold.

5061-5061Wspec_10152015