

INSTALLATION MANUAL

For authorized service personnel only.

Supplemental Manual

OPTIONAL KIT INSTALLATION (OPTION)

This air conditioner can be connected with the following optional kits.

- Wired remote controller
- Simple remote controller
- External connect kit

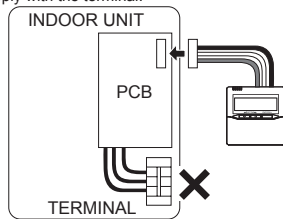
BEFORE INSTALL WIRED REMOTE CONTROLLER

- When you use wired remote controller, some functions may not be used.

CAUTION

- Before installing, be sure to disconnect all power supply.
- Don't touch the heat exchanger.
- During installing or removing operation, be sure not to have wire caught by parts or draw it hard. Or it may result troubles to the air-conditioner.
- Avoid place in direct sunlight.
- Select place that will not be affected by the heat from a stove, etc
- Before setting up the optional kit, please confirm whether air-conditioner can receive the signal.
- Do not connect the wired remote controller to the terminal for power supply.
- When connecting the wired remote controller with the indoor unit, use the connecting cable (supplied with wired remote controller or simple remote controller).
- Recommended cable length of wired remote controller is 32 ft. (10 m). Make sure to do insulate of connecting part when extended the cable.

Do not connect power supply with the terminal.

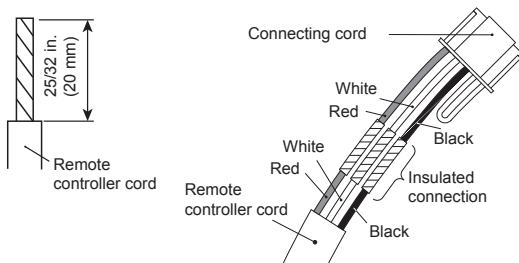


INSTALLATION WORK

Remote controller cord modification

- (1) Use a tool to cut off the terminal on the end of the remote controller cord, and then remove the insulation from the cut end of the cord.
- (2) Connect the remote controller cord and connecting cord.
(supplied with wired remote controller)

Important: Be sure to insulate the connection between the cords.

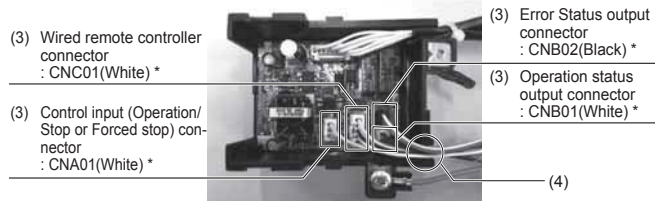


Installing wired remote controller terminal / external connect kit terminal (sold separately)

- (1) Remove the screw on the control box as shown on the top right of the figure below.
- (2) Release both bottom clasps at the sides in the direction of the arrow as circled in the bottom left of the figure below. Pull and remove the cover.

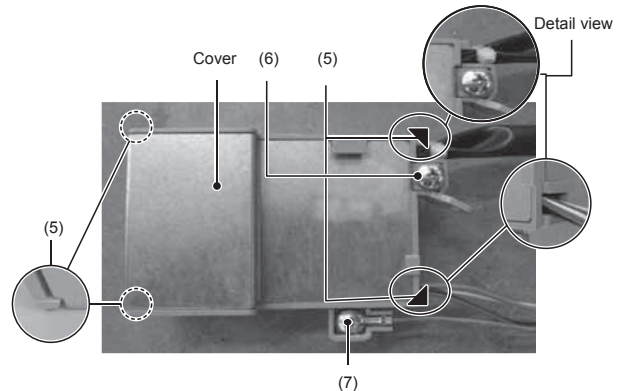


- (3) Connect the wired remote controller terminal / external connect kit terminal (sold separately) to the specified terminal on the board as shown below. Please connect to the connector with necessary function according to the actual usage.
- (4) After connecting each terminal, thread the cables through the notch as circled on the bottom right of the figure below.



* : Symbol indicating the location printed on the board

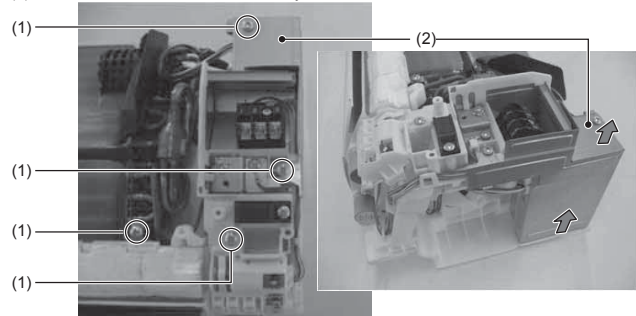
- (5) Install the control box cover as shown below.
(Align the cover with the upper and lower right corners as indicated by the triangular symbols on the figure.
Insert the clasps on the cover into both sides at the bottom of the two dotted circles.)
- When installing the control box cover, make sure that the cables are not caught as shown in the detail view.
- (6) Install one screw.
- (7) Screw the earth wire of wired remote controller as shown in the figure.
(AUSTRALIA model only).



Installing communication box

Removing intake grille

- (1) Remove the screws (x4). (Use the same screws when installing.)
- (2) Pull the control box cover towards you and remove.



- (3) Remove the connectors (x4).
 - Remove and pull off the lock at the side of the connector insertion part.

CAUTION

- Be careful not to damage the parts on the board. Otherwise, it will cause malfunction.



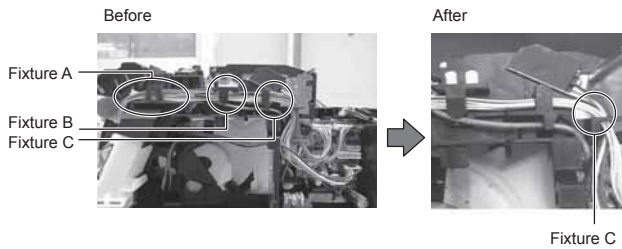
- Connector number: CN 5
- Connector number: CN 4
- Connector number: CN 3
- Connector number: CN 7

* : Symbol indicating the location printed on the board

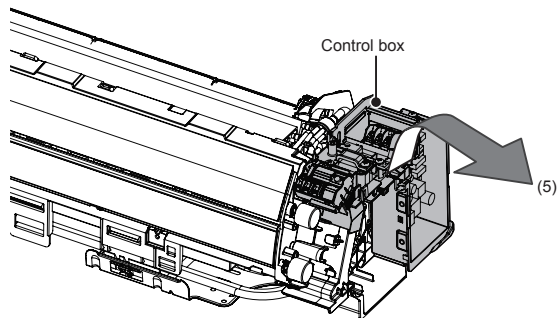
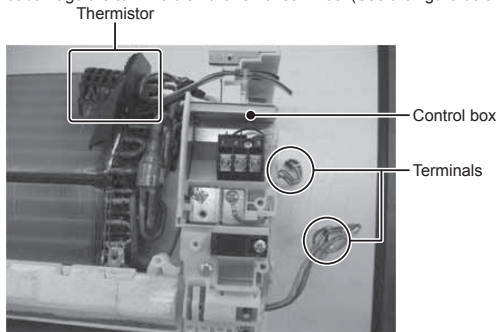
- (4) Remove the wires from the three fixtures. (See the figure below)
- Leave the thick green wire in fixture C and remove the rest of the wires.

CAUTION

- Do not pull the wires forcibly. You may damage them.

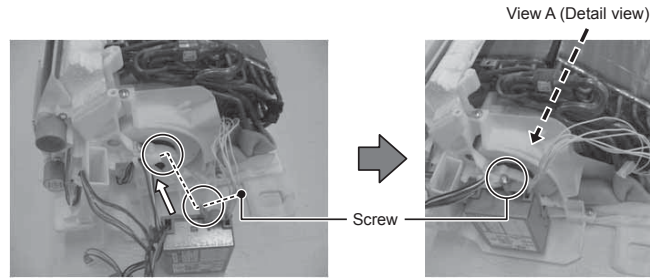


- (5) While pulling the control box towards you, remove in the right direction.
- Do not remove the thermistor.
 - Do not damage the terminals on the removed wires. (See the figure below)

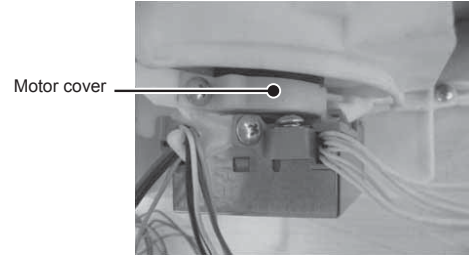


Installing communication box

- (1) Install the communication box on the main unit and secure it with the provided screw at the location shown below.

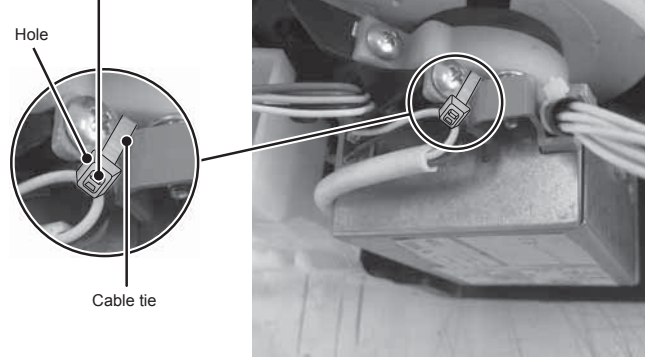


View A (Detail view)



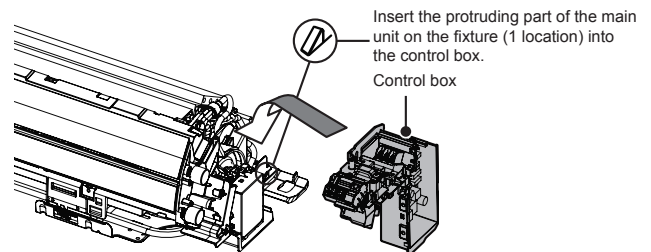
- (2) Use the hole on the motor cover and secure the wire from the communication box with the provided cable tie. (See the figure below)

Cut away the tip of the cable tie.



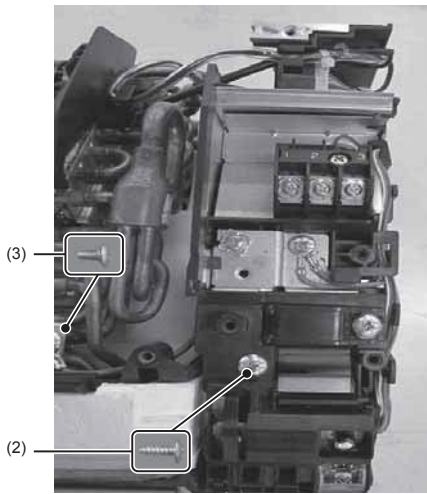
Installing control box

- (1) Set the control box toward the bottom so that it touches the motor cover from the right.



- The installation method of the control box is different for each destination country. (See figure below)
(When installing, reuse the screw that was removed in **Removing control box.**)

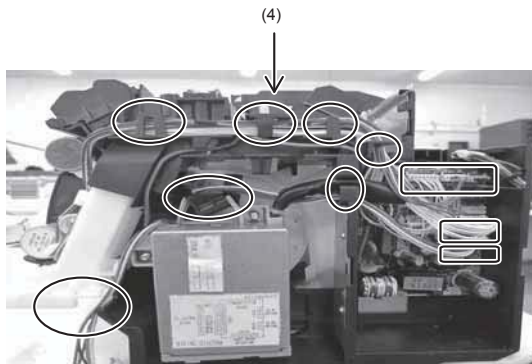
- (2) Secure the control box with a screw. (Use a long screw.)



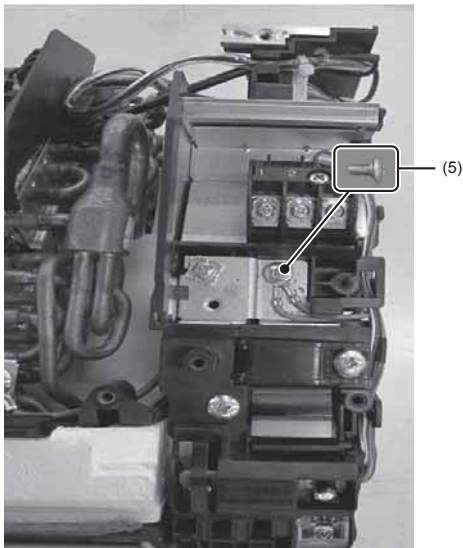
- (3) Fasten the earth wires of the heat exchanger together as shown in the left figure above. (Use a short screw here.)
- (4) Hitch the wires onto the fixtures as shown in the oval circles below. Then connect the connectors in the squares to the terminals respectively. (Each terminal should form a pair with a connector.)

⚠ CAUTION

- Ensure that the connector is properly inserted. Otherwise, it may result in erroneous operation.
- Be careful not to damage the parts on the board. Otherwise, it will cause malfunction.



- (5) Fasten the earth wire (green) in the communication box together with the earth wire (green) on the board of the control box as shown below and in the bottommost figure of the previous page.

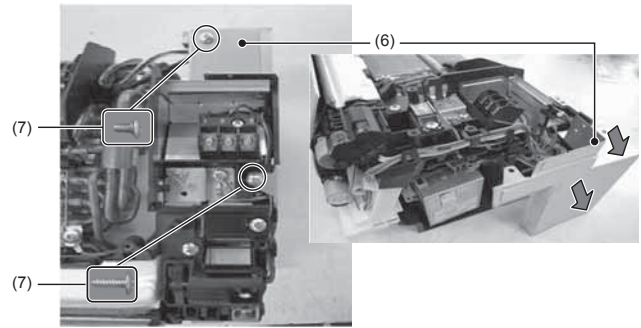


- (6) Install the cover of the control box onto the inner side of the rib as shown below.

⚠ CAUTION

- Do not cut or tuck the wires with the electrical component box cover. An electric shock may occur if the wires are damaged.

- (7) Tighten with screws to prevent the cover of the control box from falling off. (When installing, reuse the screws that was removed in **Removing control box.**)



- (8) Paste protect seals (2 locations) to prevent the wires from sticking out.

