



Elongated Floor-Mounted Rear Outlet Water Closet

ST-2229

Product description

Standard, Vitreous China Floor-Mounted Rear Outlet Water Closet.

Compliances & Certifications



(ADA Compliant, CalGreen Compliant, CEC Compliant, cUPC Certified, EPD, HPD, IAPMO, Satisfies LEED Credits, EPA WaterSense Listed, WELL Building Standard)

Code 2102229

Downloads

- [HET ST-2229 Series Installation Instructions.pdf](#)
- [SS:ST:SU:WETS:WEUS Fixtures Repair and Maintenance Guide.pdf](#)
- [Fixture Brochure.pdf](#)
- [Additional Downloads](#)

Videos

- [Sloan – Company Overview](#)

Details

- Flush Volume: 1.28-1.6 gpf (4.8-6 lpf)
- RIM Height: 16.50" (419 mm)
- Nominal Dimensions: 26.75" x 14" x 16.5" (679 x 356 x 419mm)

Features

- Designed to maximize and complement Sloan flushometers
- Durable, hygienic vitreous china construction with elongated rim
- IAPMO certified to meet or exceed ASME A112.19.2 standards
- Meets ADA guidelines and ANSI A117.1 requirements when installed accordingly

Recommended Seats

- Bemis - 1955CT/1955SSCT & 2155CT/2155SSCT
- Church - 295CT/295SSCT & 2155CT/2155SSCT

Plumbing System Requirements

- Minimum Flowing Pressure: 25 PSI (172 kPa)
- Maximum Static Pressure: 80 PSI (552 kPa)

Warranty

[View Warranty Information](#)

Notes

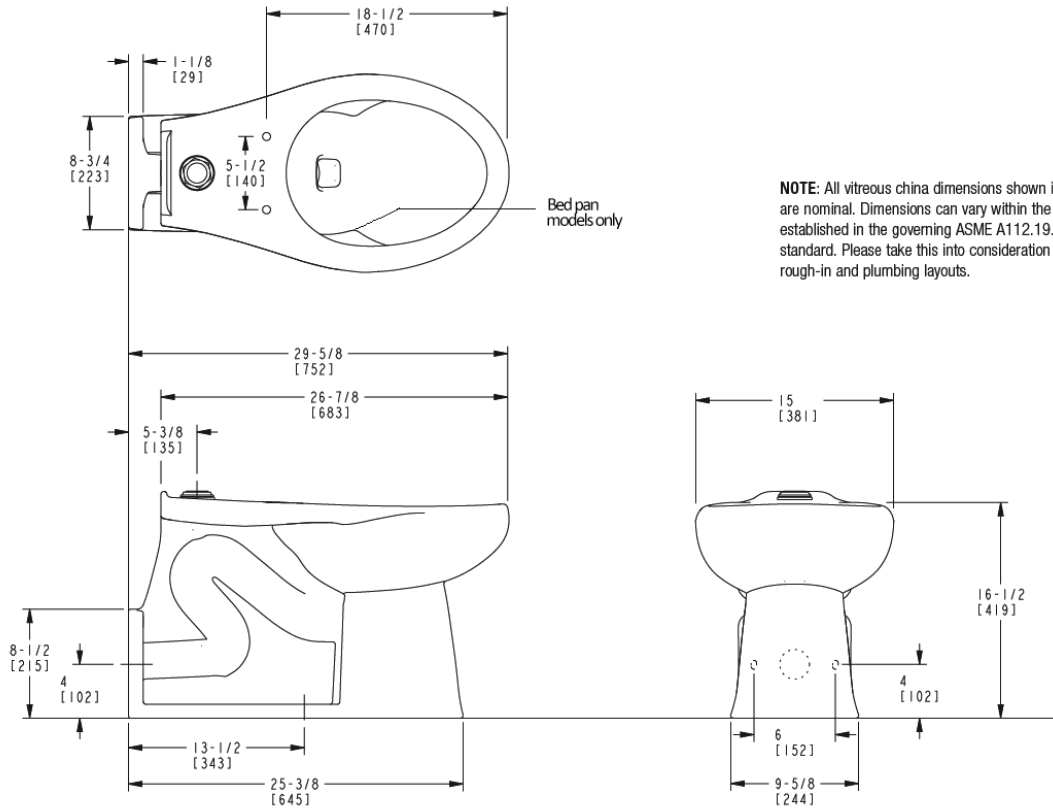
All information contained within this document subject to change without notice.

All vitreous china dimensions shown in these drawings are nominal and not to scale. Dimensions can vary within the tolerances established in the governing ASME A112.19.2/CSA B45.1 standard. It is important to consider this when planning rough-in and plumbing layouts.

Static load tested according to the procedure outlined in Section 6.7 of ASME A112.19.2. Not recommended for bariatric use.

[Find a compatible flushometer](#) for this water closet

WaterSense compliant when used with a WaterSense compliant flushometer.



NOTE: All vitreous china dimensions shown in these drawings are nominal. Dimensions can vary within the tolerances established in the governing ASME A112.19.2/CSA B45.1 standard. Please take this into consideration when planning rough-in and plumbing layouts.