

512LF Bronze Gate Valve • Spec Sheet

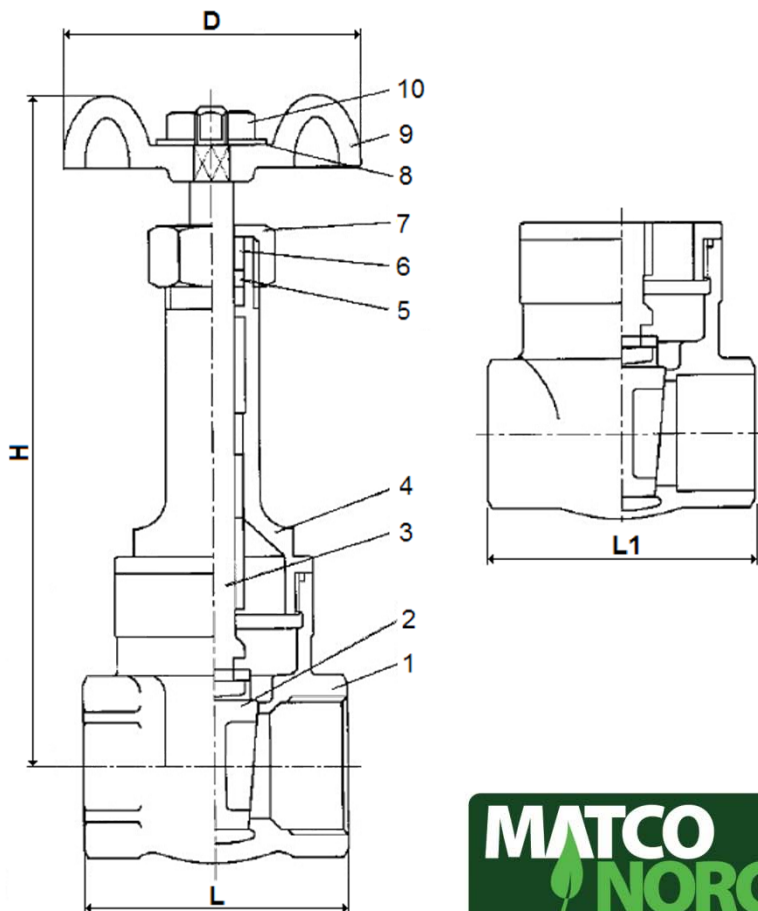


FEATURES & BENEFITS

- Lead Free Bronze*
- ISO-9002
- 300 WOG - 150 SWP
- Full Port
- Rising Stem
- Federal Spec 54 Class A Type 2
- Threaded & Sweat Ends
- Threaded Ends Comply to ANSI Standards B2.1
- Valves Conform to MSS-SP-80
- Sizes 1/2" - 2"

DIMENSIONS

Part #	Size	L	L1	H	D
512T03LF	1/2"	1.89	1.89	4.73	2.13
512T04LF	3/4"	2.05	2.44	5.87	2.44
512T05LF	1"	2.44	2.88	7.29	2.80
512T05LF	1-1/4"	2.64	3.15	8.27	3.03
512T07LF	1-1/2"	2.96	3.70	9.65	3.62
512T08LF	2"	3.31	4.33	11.11	4.06



MATERIAL SPECIFICATIONS

No.	Part	Material
1	Body	Bronze C89844
2	Disc	Bronze C89844
3	Stem	Brass 6802
4	Bonnet	Bronze C83600
5	Packing	PTFE
6	Gland	Brass B16 C3600
7	Packing Nut	Brass B16 C3600
8	ID Plate	Aluminum Alloy
9	Handwheel	Cast Iron A48 Class No.35
10	Wheel Nut	Steel A284 D

* These product complies with 0.25% weighted average lead content on wetted surfaces in accordance with Safe Water Drinking Act (SDWA) / Federal Public Law No. 111-380.



Global sourcing. National compliance. Local service.

CALIFORNIA 5593 Fresca Dr., La Palma CA 90623 • Toll Free: 866-532-8306 • Fax: 866-532-8307
TEXAS 1150 Silber Rd., Houston TX 77055 • Toll Free: 800-935-5456 • Fax: 713-680-2999
NEW YORK PO Box 27, Rt. 22, Brewster NY 10509 • Toll Free: 800-431-2082 • Fax: 845-278-9056
 WEB: www.matco-norca.com EMAIL: mail@matco-norca.com