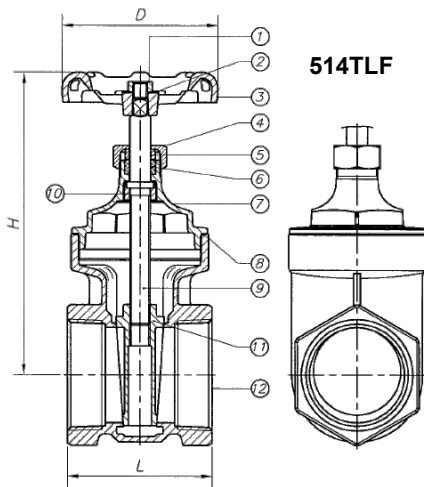


514LF Full Port Gate Valve • Spec Sheet



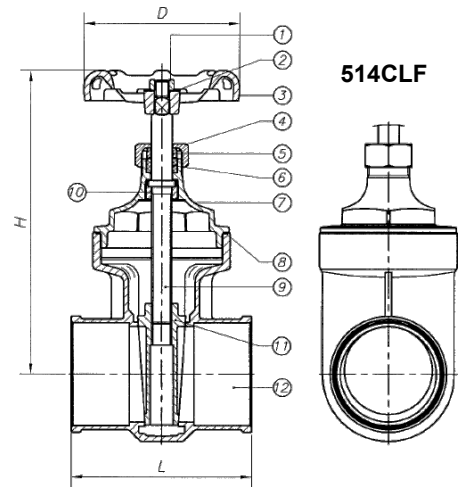
FEATURES & BENEFITS

- Lead Free Brass*
- ISO-9002
- 200WOG-125SWP
- Full Port
- Non-Rising Stem
- Threaded Bonnet
- Threaded Ends Conform to ANSI Standards B2.1
- Solder Ends Conforms to ANSI Standards B16.18
- Valves are Tested in Accordance w/ MSS-SP-82
- Certified NSF/ANSI 372 by Truesdail Lab to Comply with Section 1417 of the US SDWA
- Available With Cross Handles (See Page 2)
- Sizes 1/4" – 4"



DIMENSIONS

Part # IPS	Part # C X C	Size	D IPS	H IPS	L IPS	D C X C	H C X C	L C X C
514T01LF	-	1/4"	2.09	2.92	1.71	-	-	-
514T02LF	-	3/8"	2.09	2.92	1.71	-	-	-
514T03LF	514C03LF	1/2"	2.09	2.92	1.71	2.09	2.92	1.69
514T04LF	514C04LF	3/4"	2.13	3.31	1.81	2.13	3.31	2.32
514T05LF	514C05LF	1"	2.48	3.90	2.13	2.48	3.90	2.72
514T06LF	514C06LF	1-1/4"	2.72	4.61	2.25	2.72	4.61	2.94
514T07LF	514C07LF	1-1/2"	3.15	5.08	2.44	3.15	5.08	3.33
514T08LF	514C08LF	2"	3.53	5.99	2.70	3.53	5.99	3.98
514T09LF	514C09LF	2-1/2"	3.98	7.88	2.70	3.98	7.88	4.61
514T10LF	514C10LF	3"	4.37	8.83	4.02	4.37	8.83	5.32
514T11LF	514C11LF	4"	5.00	9.89	4.53	5.00	9.89	6.37



MATERIAL SPECIFICATIONS

No.	Parts	Material
1	Wheel Nut	Brass B124 C37700
2	Name Plate	Aluminum
3	Handle Wheel	Cast Iron
4	Packing Nut	Brass B16 C36000
5	Gland Ring	Brass B16 C36000
6	Gland Packing	Graphite
7	Bonnet	Brass C89550
8	Packing	FIBRE
9	Stem	Brass C89550
10	Lock Nut	Brass C89550
11	Disc	Brass C89550
12	Body	Brass C89550

*This product complies with 0.25% weighted average lead content on wetted surfaces in accordance with the Safe Drinking Water Act (SDWA) / Federal Public Law No. 111-380.



CALIFORNIA 5595 Fresca Dr., La Palma CA 90623
TEXAS 1150 Silber Rd., Houston TX 77055
ILLINOIS 278 Windy Point Dr., Glendale Heights, IL 60139
GEORGIA 113 Industrial Blvd., Americus, Georgia 31709
NEW YORK PO Box 27, Rt.22, Brewster NY 10509
 WEB: www.matco-norca.com

• Phone: 866-532-8306 • Fax: 866-532-8307
 • Phone: 800-935-5456 • Fax: 713-680-2999
 • Phone: 844-412-5068 • Fax: 800-640-2252
 • Phone: 800-433-7526 • Fax: 800-533-5134
 • Phone: 800-431-2082 • Fax: 845-278-9056
 EMAIL: mail@matco-norca.com

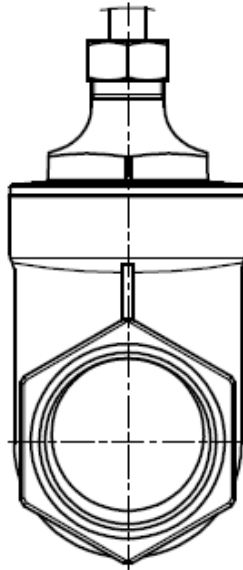
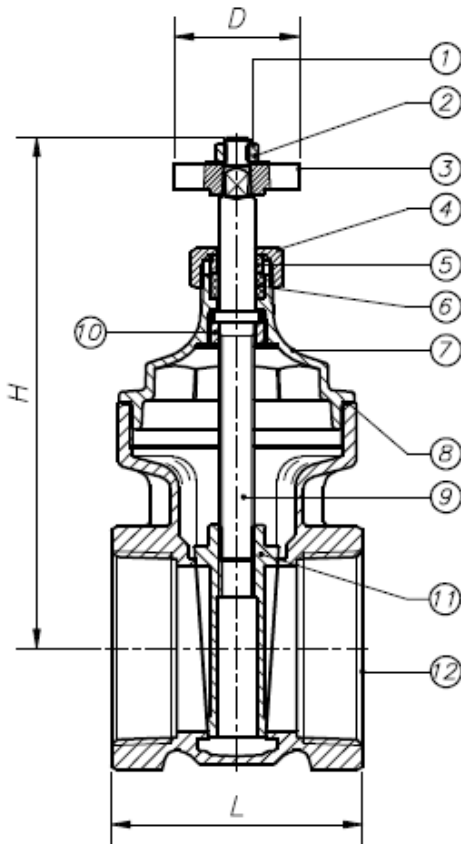
514XLF Full Port Gate Valve • Spec Sheet

FEATURES & BENEFITS

- Lead Free Brass*
- ISO-9002
- 200WOG-125SWP
- Full Port
- Non-Rising Stem
- Threaded Bonnet
- Threaded Ends Conform to ANSI Standards B2.1
- Solder Ends Conforms to ANSI Standards B16.18
- Valves are Tested in Accordance w/ MSS-SP-82
- Certified NSF/ANSI 372 by Truesdail Lab to Comply with Section 1417 of the US SDWA
- Sizes 1/2" – 2"

DIMENSIONS

Part #	Size	D	H	L
IPS		IPS	IPS	IPS
514T03XLF	1/2"	2.09	2.92	1.71
514T04XLF	3/4"	2.13	3.31	1.81
514T05XLF	1"	2.48	3.90	2.13
514T06XLF	1-1/4"	2.72	4.61	2.25
514T07XLF	1-1/2"	3.15	5.08	2.44
514T08XLF	2"	3.53	5.99	2.70
514T09XLF	2-1/2"	3.98	7.88	2.70
514T10XLF	3"	4.37	8.83	4.02
514T11XLF	4"	5.00	9.89	4.53



MATERIAL SPECIFICATIONS

No.	Parts	Material
1	Wheel Nut	Hot Rolled SAE 1010R
2	Name Plate	Aluminum
3	Cross Handle	Brass C89550
4	Packing Nut	Brass B16 C36000
5	Gland Ring	Brass B16 C36000
6	Gland Packing	Graphite
7	Bonnet	Brass C89550
8	Packing	FIBRE
9	Stem	Brass C89550
10	Lock Nut	Brass C89550
11	Disc	Brass C89550
12	Body	Brass C89550

*This product complies with 0.25% weighted average lead content on wetted surfaces in accordance with the Safe Drinking Water Act (SDWA) / Federal Public Law No. 111-380.



CALIFORNIA 5595 Fresca Dr., La Palma CA 90623
TEXAS 1150 Silber Rd., Houston TX 77055
ILLINOIS 278 Windy Point Dr., Glendale Heights, IL 60139
GEORGIA 113 Industrial Blvd., Americus, Georgia 31709
NEW YORK PO Box 27, Rt.22, Brewster NY 10509
 WEB: www.matco-norca.com

• Phone: 866-532-8306 • Fax: 866-532-8307
 • Phone: 800-935-5456 • Fax: 713-680-2999
 • Phone: 844-412-5068 • Fax: 800-640-2252
 • Phone: 800-433-7526 • Fax: 800-533-5134
 • Phone: 800-431-2082 • Fax: 845-278-9056
 EMAIL: mail@matco-norca.com