

# INSTALLATION INSTRUCTIONS CARE AND MAINTENANCE

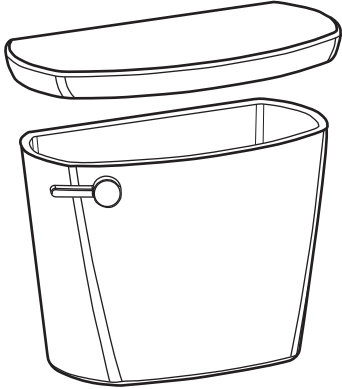


## AccessPRO Right Height® Elongated 2-piece Toilet Model 215AG Series

Thank you for selecting American Standard - the benchmark of fine quality for over 100 years. To ensure this product is installed properly, please read these instructions carefully before you begin. (Certain installations may require professional help.) Also be sure your installation conforms to local codes.

**▲ CAUTION: PRODUCT IS FRAGILE. TO AVOID BREAKAGE AND POSSIBLE INJURY HANDLE WITH CARE!**  
NOTE: Pictures may not exactly define contour of china and components.

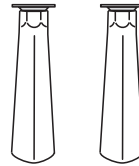
### TANK 4188A.107 and 4188A.108 (4188A.107 TANK SHOWN)



#### INCLUDED WITH TANK



Tank To Bowl Gasket



Attachment Handles  
with Nuts (2)

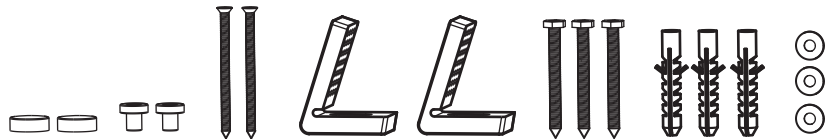


Plastic Washers (2)

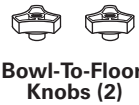
### BOWL MOVE LEFT 3517AG.100LS BOWL MOVE RIGHT 3517AG.100RS (3517AG.100RS BOWL SHOWN)



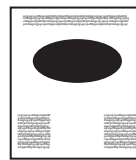
#### INCLUDED WITH BOWL



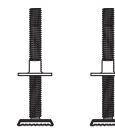
Floor Mount Kit



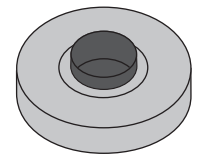
Bowl-To-Floor  
Knobs (2)



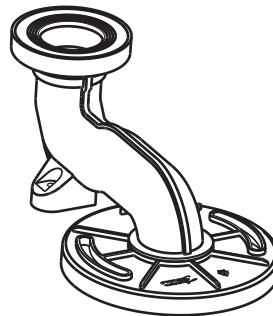
Template



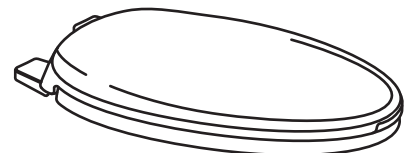
T-Bolts with  
Retainer (2)



Wax Ring



Plastic Trapway  
Assembly



\* Slow Close Toilet Seat

\* For seat installation, see  
instructions included with seat.

#### SOLD SEPARATELY



Water Supply Line



7302070-100

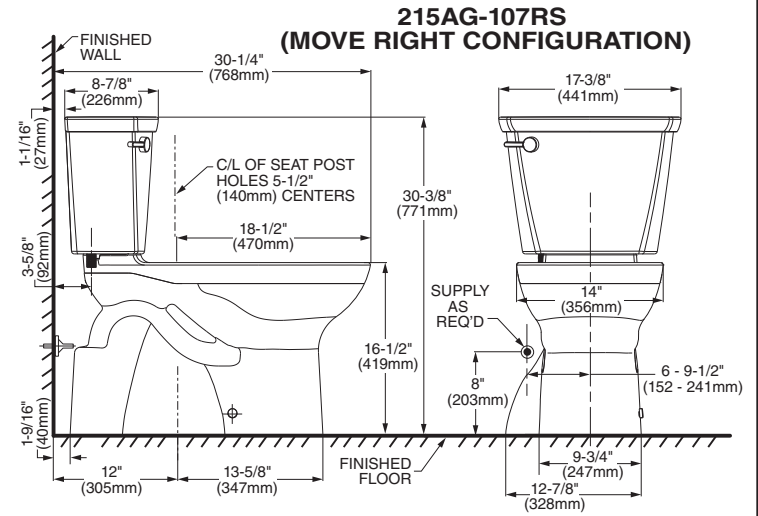
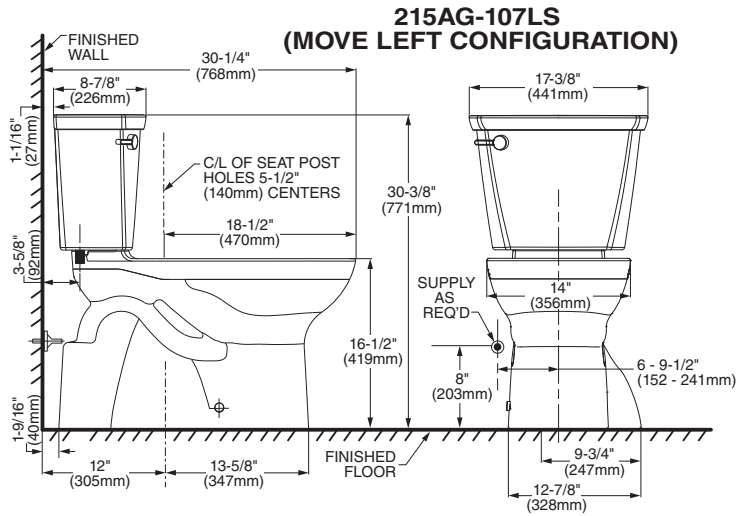
Product names listed herein are trademarks of AS America, Inc.  
© AS America, Inc. 2014

7302070-100

SAVE FOR FUTURE USE

**ROUGHING-IN DIMENSIONS:**

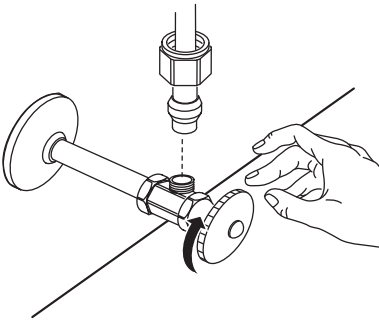
**NOTE:** Distance from wall to closet flange centerline must be as shown below.



**Before You Start:**

**If Removing An Existing Toilet**

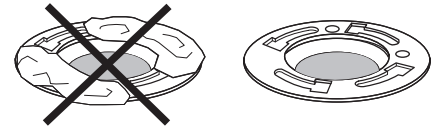
**Turn Off Water Supply**



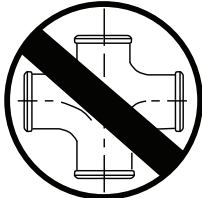
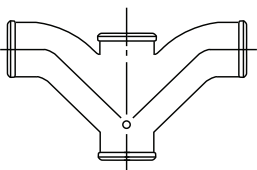
Flush to remove water from tank; sponge remaining water from bowl before removing toilet.



**Clean Flange**



**Caution:** If leaving floor flange open for more than 1-2 hours, cover flange to prevent escaping sewer gases.

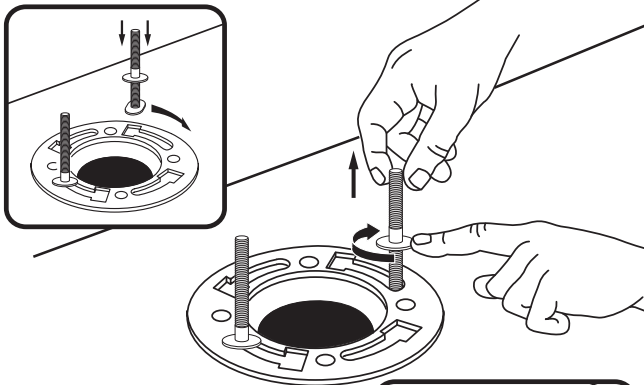


Recommended fitting type for back-to-back installations.

**BACK-TO-BACK INSTALLATION**

Depending upon your plumbing and venting conditions, the flow from the AccessPRO in a back-to-back installation may create a vacuum on the system and draw water from the opposing bowl. The National Standards Plumbing Code prohibits the use of a cross fitting for drainage as throw over is possible. The code does approve a directional "Y" style fitting with proper venting to direct the water downward and away from the other toilet.

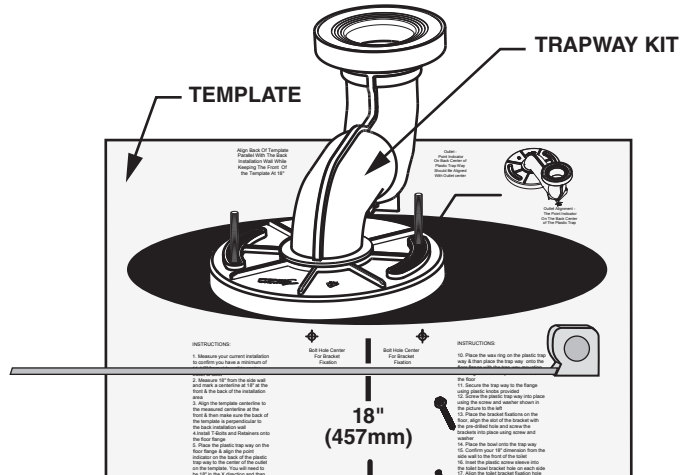
**1**

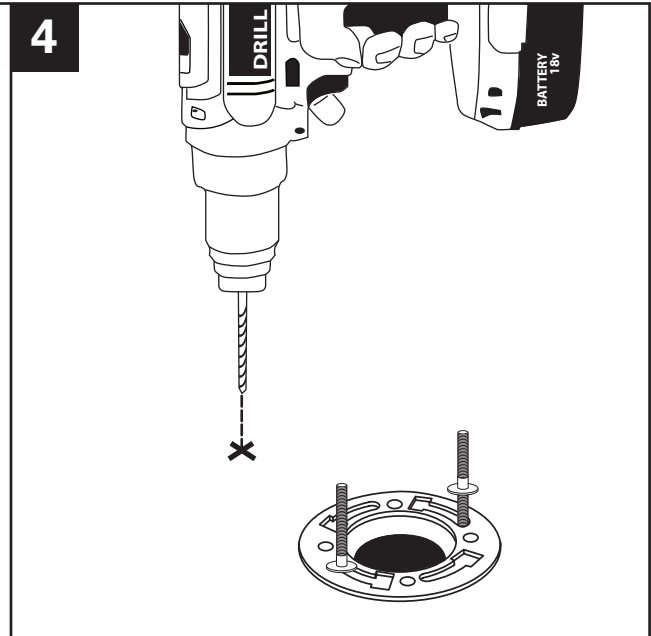
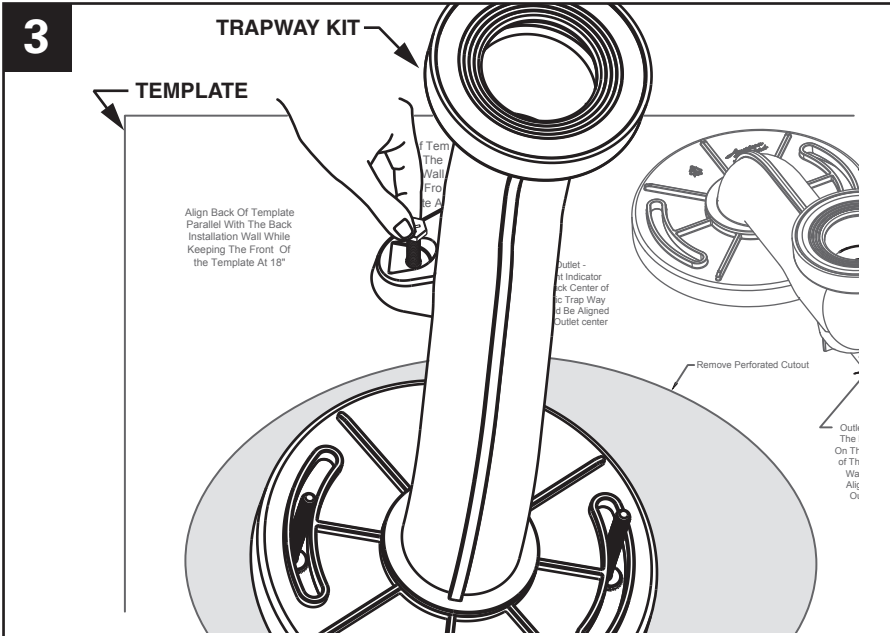


**NOTE:** 1/4" EZ-BOLTS INCLUDED. IF 5/16" BOLTS ARE REQUIRED, PURCHASE SEPARATELY.

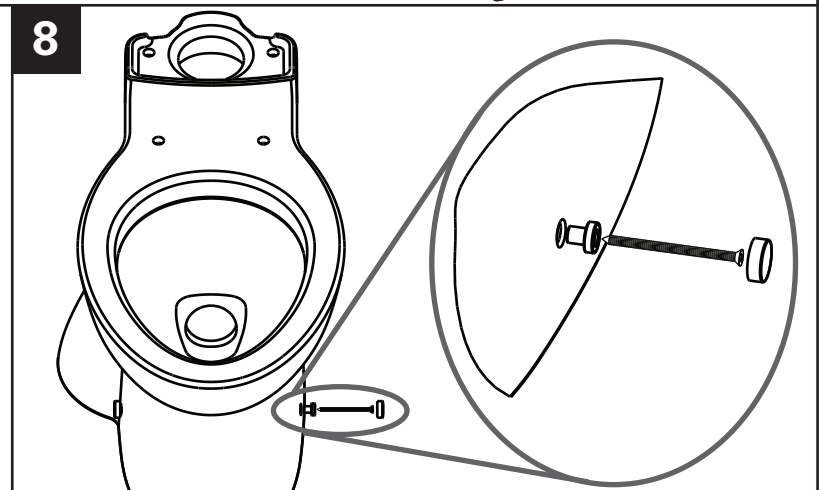
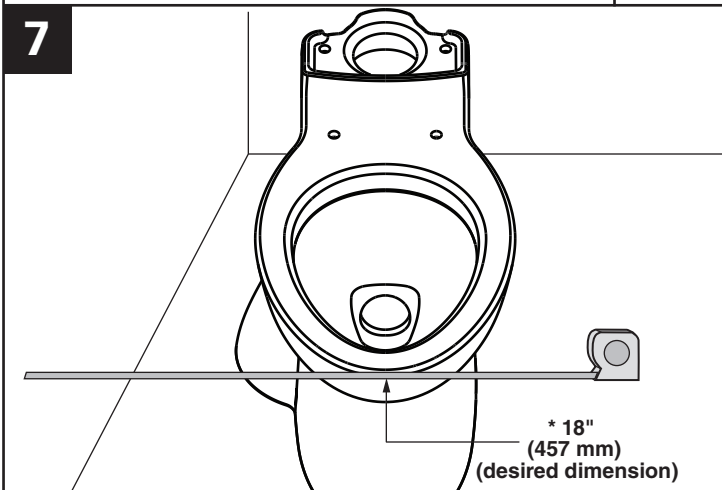
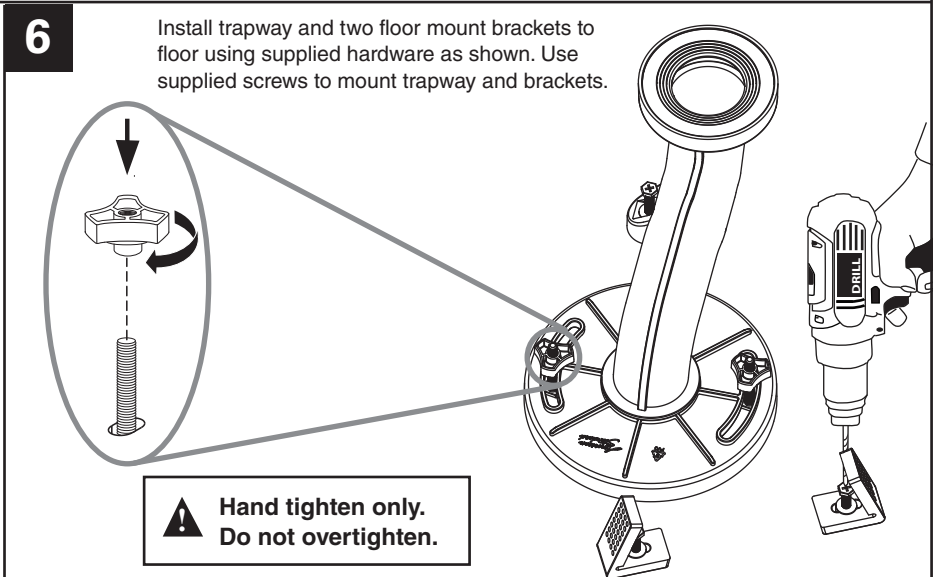
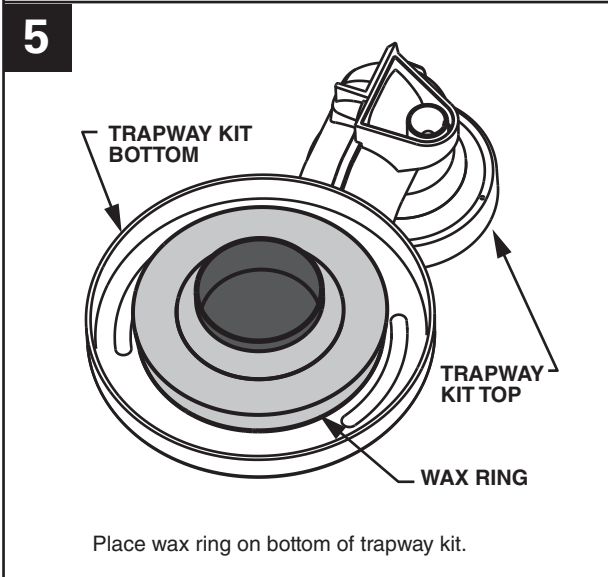
**2**

Use supplied floor template to locate new lateral toilet location. AccessPRO allows for up to 3-1/2" (343 mm) of lateral adjustment to left (with move left bowl) or right (with move right bowl). Picture below shows "move right" example.





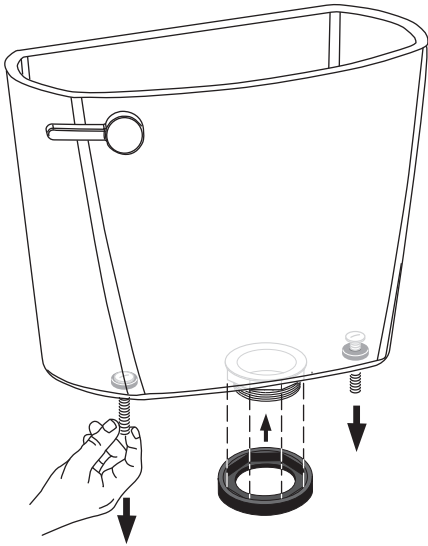
Using T-bolts installed in Step 1 along with the trapway kit and supplied floor template, locate and mark new toilet mount locations on floor. There are three floor mounting holes to drill; one for the trapway and two for the front floor brackets. Once you mark your three drill locations, you can remove the template from the floor.



Install bowl over trapway, verify new lateral toilet location, and use floor mount hardware supplied to attach front of bowl to brackets as shown. Engage the screw into bracket hole by hand first and tighten with a screw driver alternating each side until completely tightened. Place cap covers over the bracket fixation screws.

**\* 18" (457 mm) is required dimension for compliance to FHA.**

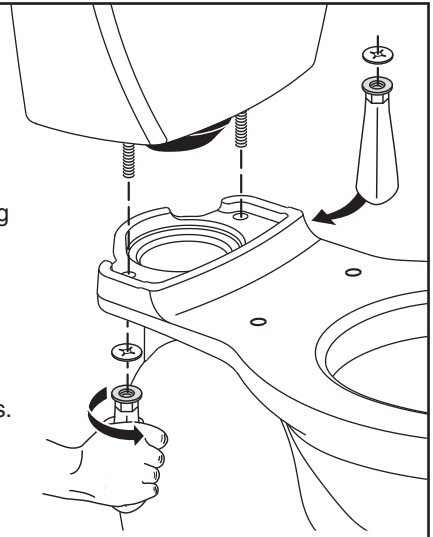
9



10

Tighten handles alternately until the tank contacts the front and back of the bowl achieving china-to-china contact.

**NOTE:** To ease installation, push down on the top of the tank while tightening handles.



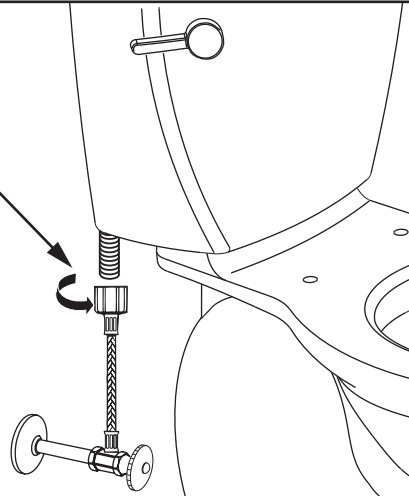
11

A

Connect water supply line.  
(Sold separately)  
Hand tighten nut.

B

Turn on water supply.



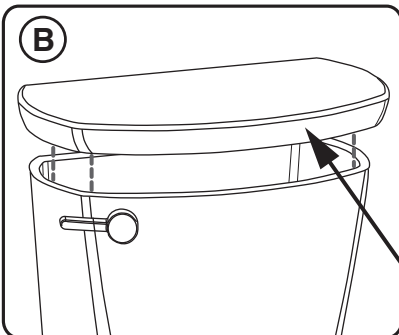
**WARNING:** Overtightening of water supply line nuts could result in breakage and potential flooding. If the connection leaks after hand tightening, replace the supply line. Do not use any type of sealant on the water supply connection. Use of plumber's putty, pipe dope, or any other type of sealant will void the warranty.

12

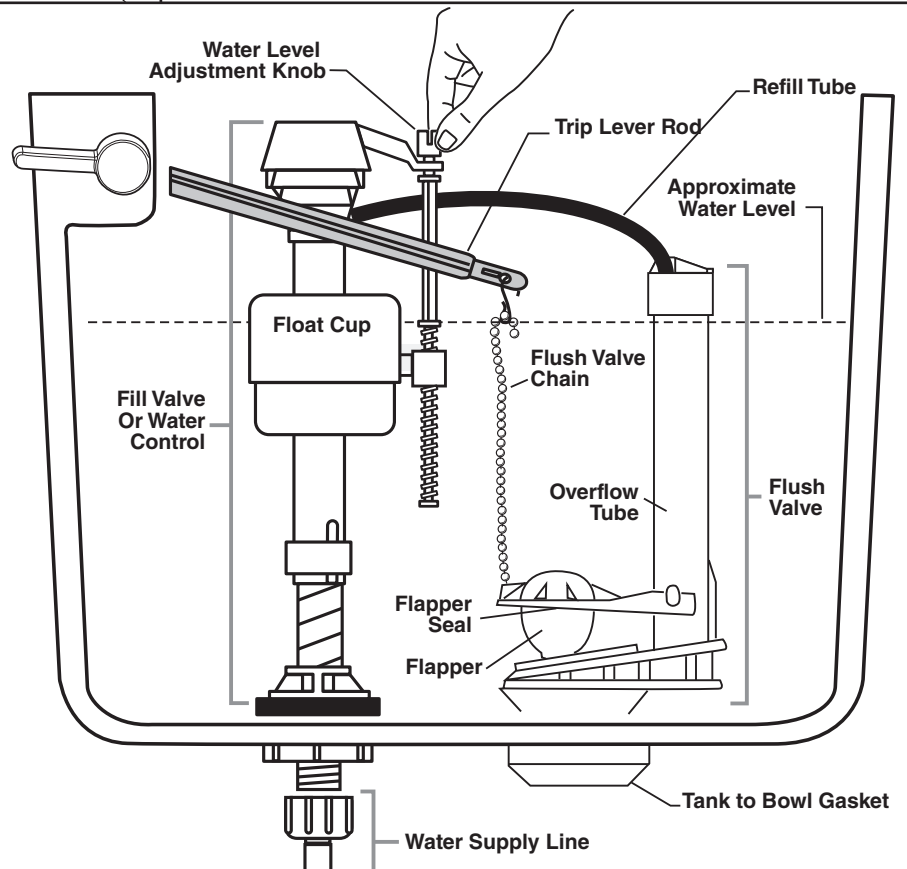
A

Adjust water level to level indicated on tank by turning water level adjustment knob to move float cup up or down.

B



**REPAIR PARTS LABEL LOCATED UNDER TANK LID.**



## CARE AND CLEANING

When cleaning your toilet, wash it with mild, soapy water, rinse thoroughly with clear water and dry with a soft cloth.

**WARNING:** Do not use in-tank cleaners. These products can seriously corrode fittings in the tank. This damage can cause leakage and property damage. American Standard shall not be responsible or liable for any damage caused by the use of in-tank cleaners.

## TROUBLESHOOTING GUIDE - See Step 12 For Diagram

Problem	Possible Cause	Corrective Action
Does not flush	<ul style="list-style-type: none"> <li>a. Water supply valve closed.</li> <li>b. Supply line blocked.</li> <li>c. Flush valve chain too loose or disconnected.</li> <li>d. Sand or debris lodged in water control.</li> </ul>	<ul style="list-style-type: none"> <li>a. Open valve and allow water to fill tank.</li> <li>b. Shut off water supply, disconnect supply line and inspect all gaskets and washers. Reassemble.</li> <li>c. Readjust chain length as required.</li> <li>d. Shut off water supply. Remove cap and clean as per Fluidmaster maintenance instructions at: <a href="http://www.americanstandard-us.com/enews/fluidmasterguide.pdf">www.americanstandard-us.com/enews/fluidmasterguide.pdf</a></li> </ul>
Poor or sluggish flush	<ul style="list-style-type: none"> <li>a. Bowl water level too low.</li> <li>b. Supply valve partly closed.</li> <li>c. Partially clogged trapway and/or drain pipe and/or vent.</li> <li>d. Supply pressure too low.</li> </ul>	<ul style="list-style-type: none"> <li>a. Check that refill tube is connected to water control and inserted into overflow tube without being kinked or damaged.</li> <li>b. Open supply valve fully. Be sure that proper supply tube size is used.</li> <li>c. Remove obstruction. Consult a plumber if necessary.</li> <li>d. Normal supply pressure must be at least 20 psi.</li> </ul>
Toilet leaks	<ul style="list-style-type: none"> <li>a. Poor supply line connection.</li> <li>b. Poor bowl to tank/floor connection.</li> </ul>	<ul style="list-style-type: none"> <li>a. Review Step 11 of installation procedure.</li> <li>b. Review Step 1 through 10 of installation procedure.</li> </ul>
Toilet does not shut off	<ul style="list-style-type: none"> <li>a. Flapper seal leaking or deformed.</li> <li>b. Sand or debris lodged in water control.</li> <li>c. Flush valve chain too tight, holding flapper open.</li> </ul>	<ul style="list-style-type: none"> <li>a. Clean debris from seal surface. Replace flapper seal as needed. See web for more info.</li> <li>b. Shut off water supply. Remove cap and clean as per Fluidmaster maintenance instructions at: <a href="http://www.americanstandard-us.com/enews/fluidmasterguide.pdf">www.americanstandard-us.com/enews/fluidmasterguide.pdf</a></li> <li>c. Readjust chain length as needed.</li> </ul>
Toilet bowl rocks after installation	<ul style="list-style-type: none"> <li>a. Wax ring not fully compressed.</li> <li>b. Floor not level.</li> </ul>	<ul style="list-style-type: none"> <li>a. Retighten bowl-to-floor knobs.</li> <li>b. Use toilet shims and /or place a bead of caulk around the base of the toilet.</li> </ul>

**FOR REPAIR PARTS LIST, SEE LABEL UNDER TANK LID.**

### **In the United States:**

American Standard Brands  
P.O. Box 6820  
Piscataway, New Jersey 08855  
Attention: Director of Customer Care

For residents of the United States, warranty information may also be obtained by calling the following toll free number: (800) 442-1902

[www.americanstandard.com](http://www.americanstandard.com)

### **In Canada:**

AS Canada, ULC  
5900 Avebury Rd.  
Mississauga, Ontario  
Canada L5R 3M3

Toll Free: (800) 387-0369

[www.americanstandard.ca](http://www.americanstandard.ca)

### **In Mexico:**

American Standard B&K Mexico  
S. de R.L. de C.V.  
Via Morelos #330  
Col. Santa Clara  
Ecatepec 55540 Edo. Mexico

Toll Free: 01-800-839-1200

[www.americanstandard.com.mx](http://www.americanstandard.com.mx)