

# MODEL 375DA



## Reduced Pressure Detector Assembly – Backflow Preventers 4" to 10"

Repair Kit Components		4"								4" and 6"		6"						8"		8" and 10"						10"				
Size Range		4-BK	RK4-RV375-HOSE	RK4-350	RK4-350DA	RK4-375DAC	RK4-375CK1	RK4-350CK2	BRK4-LBF-SEAT1RTNR	BRK4-LBF-SEAT2RTNR	RK212-RV-ASSY	6-BK	RK6-350	RK6-350DA	RK6-375DAC	RK6-375CK1	RK6-350CK2	BRK6-LBF-SEAT1RTNR	BRK6-LBF-SEAT2RTNR	RK6-RV375-HOSE	8-BK	RK8-350	RK8-350DA	RK8-375DAC	RK8-375CK1	RK8-450DACK2	RK8-RV375-HOSE	RK8-RV-ASSY	10-BK	
4"		•	•	•	•	•	•	•	•	•	•	•	•	•	•	•	•	•	•	•	•	•	•	•	•	•	•	•	•	•
6"										•	•	•	•	•	•	•	•	•	•	•										
8"																					•	•	•	•	•	•	•	•	•	
10"																					•	•	•	•	•	•	•	•	•	•
Item #	Item Description																													
1	Bolt, Flange	•(x16)										•(x16)									•(x16)									•(x24)
2	Nut, Flange	•(x16)										•(x16)									•(x16)									•(x24)
3	Gasket, Flange	•(x2)										•(x2)									•(x2)									•(x2)
4	O-Ring, Relief Valve										•																			•
5	Relief Valve Assembly										•																			•
6	Bolt, Relief Valve									•(x2)																				•(x2)
7	Seat Retainer #1								•(x6)																•(x4)	•(x7)				
8	Seat Retainer #2							•(x2)	•(x12)																					
9	O-Ring, Seat		•(x2)	•(x2)	•(x2)	•	•					•(x2)	•(x2)	•(x2)	•	•					•(x2)	•(x2)	•(x2)							
10	Bolt, Poppet Retainer					•(x4)	•(x4)								•(x4)	•(x4)									•(x6)	•(x6)				
11	Handle, #1 Poppet Assembly					•									•										•(x6)	•(x6)				
12	Washer, Poppet Bolt					•(x4)	•(x4)								•(x4)	•(x4)									•(x6)	•(x6)				
13	O-Ring, Poppet Bolt		•(x8)	•(x8)	•(x8)	•(x4)	•(x4)					•(x8)	•(x8)	•(x8)	•(x4)	•(x4)					•(x12)	•(x12)	•(x12)	•(x6)	•(x6)					
14	Poppet Retainer					•	•								•	•									•	•				
15	Seal Ring		•(x2)	•(x2)	•(x2)	•	•					•(x2)	•(x2)	•(x2)	•	•					•(x2)	•(x2)	•(x2)	•	•					
16	Seat Assembly, #1 Poppet					•									•										•					
17	Seat Assembly, #2 Poppet					•									•										•					
18	Sensing Tube Fitting	•								•											•									•
19	Pitot Tube Assembly	•																			•									•
20	Sensing Tube	•																			•									•
21	Washer, Seat Retainer																								•(x4)	•(x7)				
	Bypass Rubber Repair Kit				•	•							•	•										•	•					
	Relief Valve Rubber Repair Kit, 2-1/2" - 6"					•									•															
	Relief Valve Rubber Repair Kit, 8" and 10"																								•					

Whole Goods (Available for individual sale)		4"		6"		8"		10"	
Item #	Item Description								
22	Gate Valve, OS&Y (Fx)		4-48OSY		6-48OSY		8-48OSY		10-48OSY
	Gate Valve, OS&Y (GXF)		4-48OSYGXF		6-48OSYGXF		8-48OSYGXF		10-48OSYGXF
	Gate Valve, Post Indicator (Fx)		4-48PIV		6-48PIV		8-48PIV		10-48PIV
	Gate Valve, Post Indicator (Gx)		4-48PIVGXF		6-48PIVGXF		8-48PIVGXF		10-48PIVGXF
	Butterfly Valve (Gx)		4-49GXF		6-49GXF		8-49GXF		10-49GXF
23	Ball Valve, Fx		12-850XL				34-850XL		
24	Ball Valve, Mx		12-850MXL				34-850MXL		
25	Cover Retainer Assembly		6-23		8-23			12-23	
26	Grooved Coupling		4-23		6-23		8-23		10-23
27	Bulkhead Fitting				BHF1CX100				BHF2BXL100
28	Sensing Line Bulkhead Fitting				BHF1BXL100				BHF2CXL100
29	Cover		RK4-LBF-VALVE-COVER		RK6-LBF-VALVE-COVER		RK8-LBF-VALVE-COVER		RK8-LBF-VALVE-COVER
30	Water Meter					557-54XL			
31	Bypass Valve					34-975XLD			
32	Bypass Assembly		RK4-375DA-BP-LM		RK6-375DA-BP-LM				RK8-375DA-BP-LM
	Bypass Rubber Repair Kit					RK34-975XLR			
	Relief Valve Rubber Repair Kit				RK212-375R				RK8-375R

Item No.	Repair Kit Description
4-BK	Flanged Kit, 4"
RK4-RV375-HOSE	Braided Hose Repair Kit, 4" 375DA
RK4-350	Standard Repair Kit, 4" 375DA
RK4-350DA	Main and Bypass Rubber Repair Kit, 4" 375DA
RK4-375DAC	Complete Rubber Repair Kit, 4" 375DA
RK4-375CK1	#1 Check Assembly Repair Kit, 4" 375DA
RK4-350CK2	#2 Check Assembly Repair Kit, 4" 375DA
BRK4-LBF-SEAT1RTNR	Bulk #1 Seat Retainer Repair Kit, 4" 375DA
BRK4-LBF-SEAT2RTNR	Bulk #2 Seat Retainer Repair Kit, 4" 375DA
	<b>4" and 6"</b>
RK212-RV-ASSY	Relief Valve Assembly Repair Kit, 4" - 6" 375DA

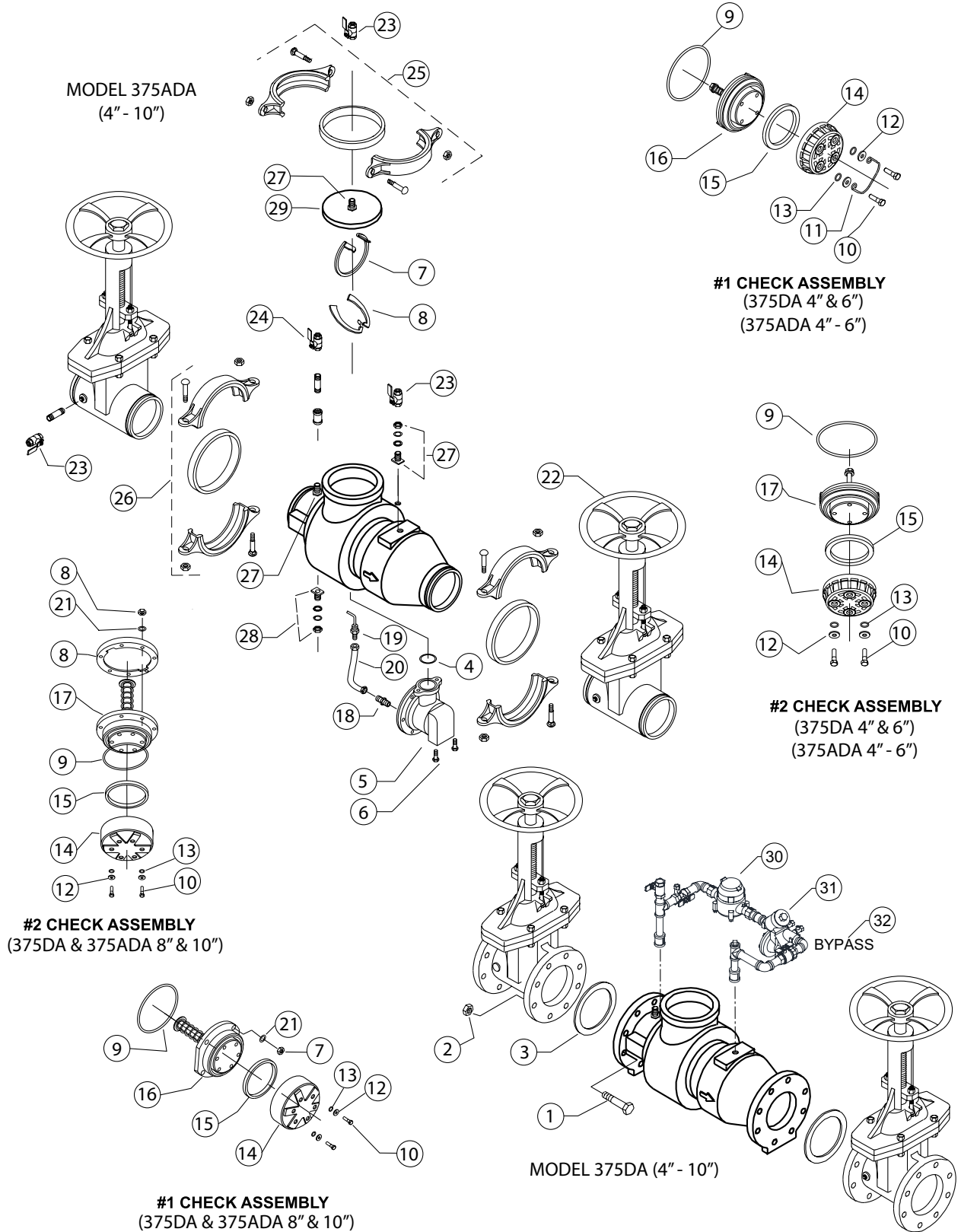
Item No.	Repair Kit Description
6-BK	Flanged Kit, 6"
RK6-350	Standard Repair Kit, 6" 375DA
RK6-350DA	Main and Bypass Rubber Repair Kit, 6" 375DA
RK6-350DAC	Complete Rubber Repair Kit, 6" 375DA
RK6-375CK1	#1 Check Assembly Repair Kit, 6" 375DA
RK6-350CK2	#2 Check Assembly Repair Kit, 6" 375DA
BRK6-LBF-SEAT1RTNR	Bulk #1 Seat Retainer Repair Kit, 6" 375DA
BRK6-LBF-SEAT2RTNR	Bulk #2 Seat Retainer Repair Kit, 6" 375DA
RK6-RV375-HOSE	Braided Hose Repair Kit, 6" 375DA
	<b>8"</b>
8-BK	Flanged Kit, 8"

Item No.	Repair Kit Description
	<b>8" and 10"</b>
RK8-350	Standard Repair Kit, 8" and 10" 375DA
RK8-350DA	Main and Bypass Rubber Repair Kit, 8" and 10" 375DA
RK8-375DAC	Complete Rubber Repair Kit, 8" and 10" 375DA
RK8-375CK1	#1 Check Assembly Repair Kit, 8" and 10" 375DA
RK8-450DACK2	#2 Check Assembly Repair Kit, 8" and 10" 375DA
RK8-RV375-HOSE	Braided Hose Repair Kit, 8" and 10" 375DA
RK8-RV-ASSY	Relief Valve Assembly Repair Kit, 8" and 10" 375DA
	<b>10"</b>
10-BK	Flanged Kit, 10"

# MODEL 375DA

Reduced Pressure Detector Assembly – Backflow Preventers 4" to 10"

Parts Drawing



MODEL 375ADA  
(4" - 10")

#1 CHECK ASSEMBLY  
(375DA 4" & 6")  
(375ADA 4" - 6")

#2 CHECK ASSEMBLY  
(375DA & 375ADA 8" & 10")

#2 CHECK ASSEMBLY  
(375DA 4" & 6")  
(375ADA 4" - 6")

#1 CHECK ASSEMBLY  
(375DA & 375ADA 8" & 10")

MODEL 375DA (4" - 10")