

CADDY® ROD LOCK Bottom-Mount Duct Bracket

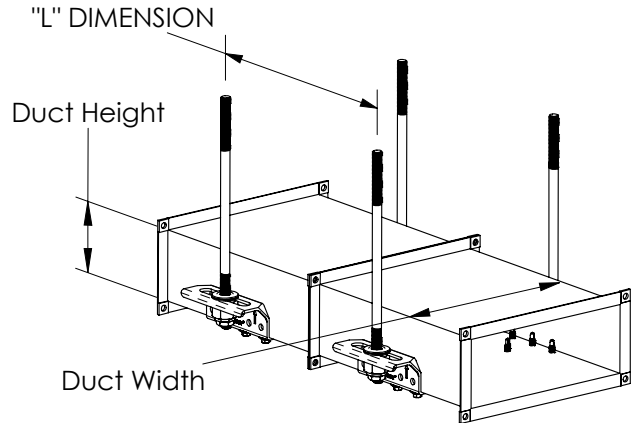
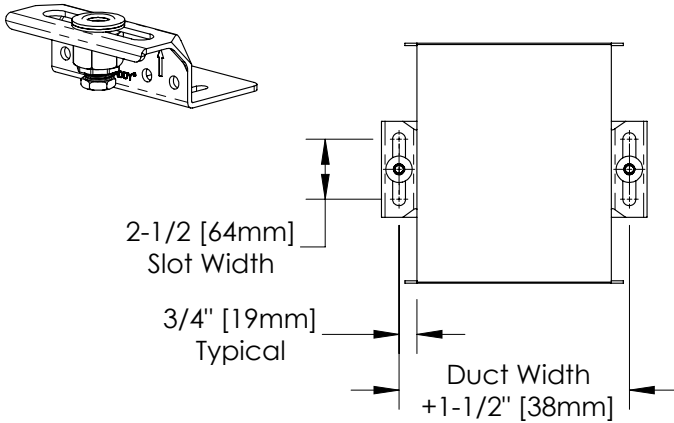
Part Number	Article Number	Rod Size	Load Rating for general applications* (3.0 safety factor)
CRLD37BEG	N/A	3/8"	600 lbs [2,650 N]
CRLDM8BEG	390015	M8	600 lbs [2,650 N]
CRLDM10BEG	390016	M10	600 lbs [2,650 N]

*Note: (4) screws are required for non-duct application.
 **CRLD37BEG (3/8") and CRLDM10BEG (M10) were verified by the SMACNA Testing and Research Institute to be acceptable alternatives to the duct hanger systems described in the ANSI®/SMACNA HVAC Duct Construction Standards (HVAC-DCS) 3rd edition, Chapter 5, Tables 5-1 and 5-1M

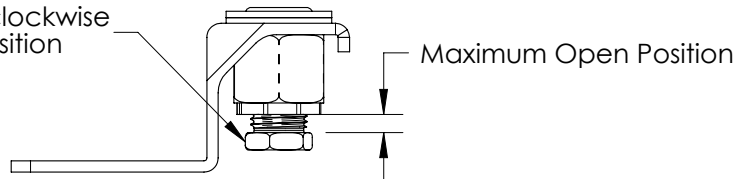
Rectangular Duct Application

Max. Half of Duct Perimeter***	3/8", M8, M10 Threaded Rod Sizes**		
	"L" Dimension		
P/2 = 30"	L = 10ft [3m]	L = 8ft [2.4m]	L = 5ft [1.5m]
P/2 = 72"			
P/2 = 96"			
P/2 = 120"	--	--	
P/2 = 168"	--	--	
P/2 = 192"	--	--	

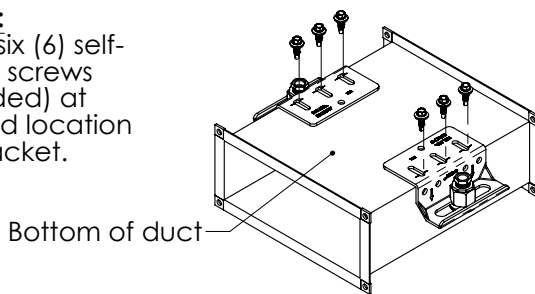
***P/2 = (Duct Height) + (Duct Width)



Step 0: Rotate lock nut counter clockwise until reaches stopping position

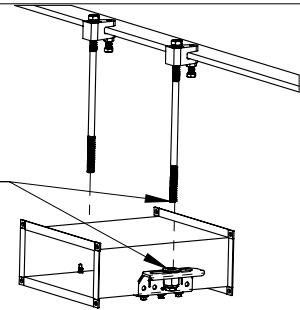


Step 1: Install six (6) self-drilling screws (included) at marked location on bracket.



Step 2: Lift duct into place.

Push bracket on to threaded rods



WARNING:

1. ERICO products shall be installed and used only as indicated in ERICO product instruction sheets and training materials. Instruction sheets are available at www.erico.com and from your ERICO customer service representative.
2. ERICO products must never be used for a purpose other than the purpose for which they were designed or in a manner that exceeds specified load ratings.
3. All instructions must be completely followed to ensure proper and safe installation and performance.
4. Improper installation, misuse, misapplication or other failure to completely follow ERICO's instructions and warnings may cause product malfunction, property damage, serious bodily injury and death.
5. Products that are manufactured using spring steel components shall be used only in a non-corrosive indoor environment.
6. All pipe supports, hangers, intermediate components and structural attachments must ONLY be used as described herein and are NEVER to be used for any other purpose.

NOTE: All load ratings are for static conditions and do not account for dynamic loading such as wind, water or seismic loads, unless otherwise noted.

The customer is responsible for:

- a. Conformance to all governing codes.
- b. The integrity of structures to which the products are attached, including their capability of safely accepting the loads imposed, as evaluated by a qualified engineer.
- c. Using appropriate industry standard hardware as noted above.

SAFETY INSTRUCTIONS:

All governing codes and regulations and those required by the job site must be observed. Always use appropriate safety equipment such as eye protection, hard hat, and gloves as appropriate to the application.

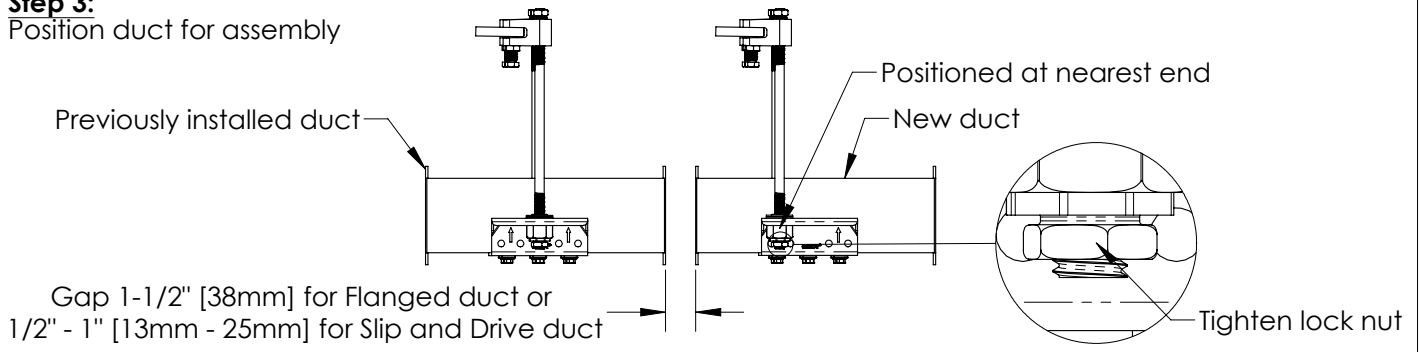
ANSI is a registered trademark of American National Standards Institute

CADDY, CADWELD, CRITEC, ERICO, ERIFLEX, ERITECH, and LENTON are registered trademarks of ERICO International Corporation.



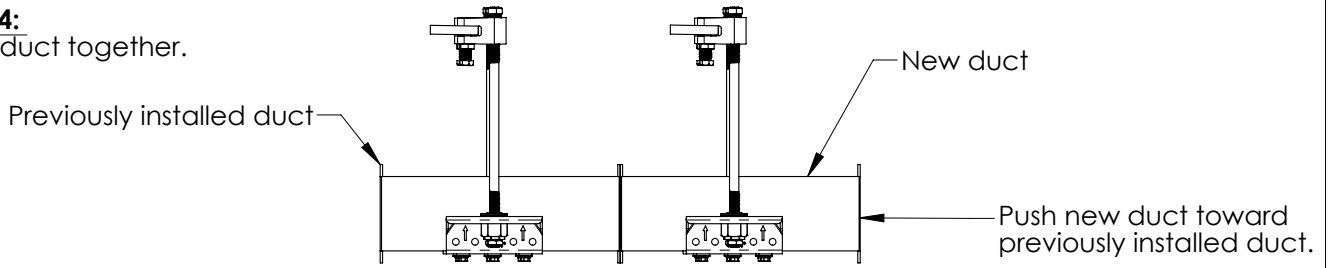
Step 3:

Position duct for assembly



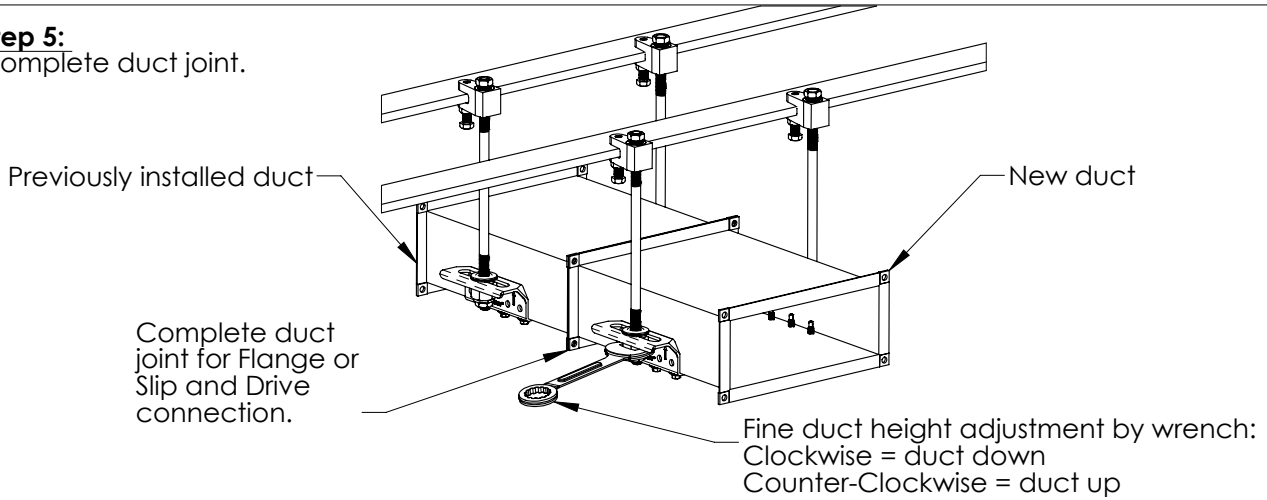
Step 4:

Push duct together.

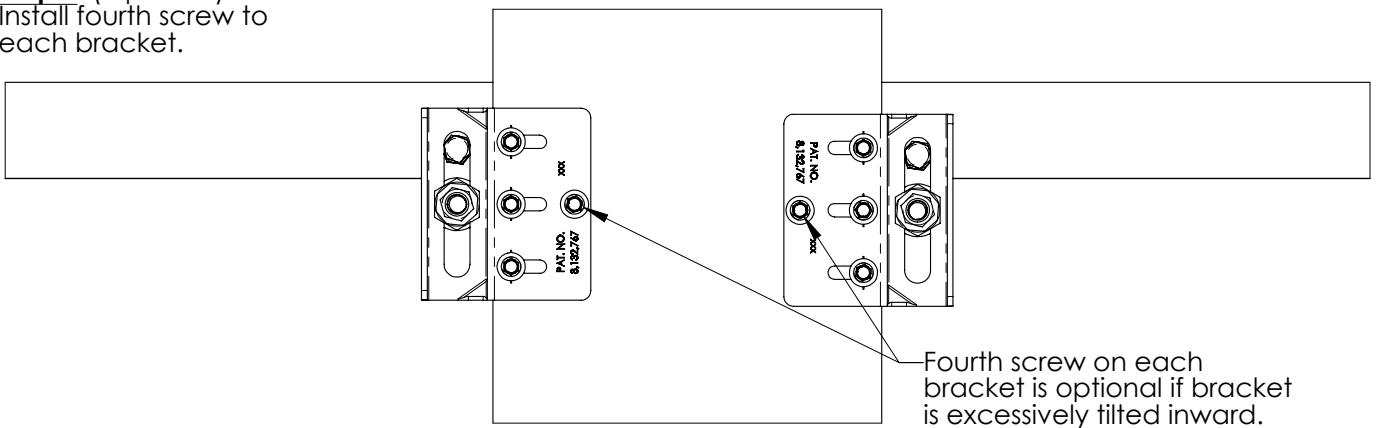


Step 5:

Complete duct joint.



Step 6: (Optional)
Install fourth screw to each bracket.



CADDY, CADWELD, CRITEC, ERICO, ERIFLEX, ERITECH, and LENTON are registered trademarks of ERICO International Corporation.

TECHNICAL SUPPORT:
www.erico.com

CFS473_F

2 OF 2

© 2013, 2014 ERICO International Corporation.

