



ECO-VALVE

Figure # 5010AB

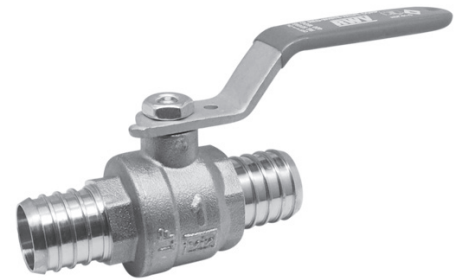
Low Lead Brass Pex End Ball Valve

Product Features

- * 400# WOG
- * Brass Body
- * Regular Port
- * Virgin PTFE Seats
- * For use with PEX Tubing
- * Barb x Barb
- * Blow-Out Proof Stem
- * Double NBR O-ring Packing
- * ASTM F1807
- * NSF 61-G & NSF 372 Certified



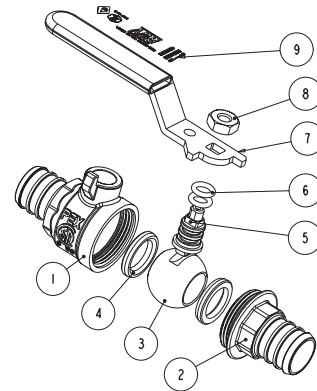
Certified to
ANSI/NSF 61



Pressure/Temperature Rating	
300 psi from 15°F to 160°F	150 psi MAX at 200°F

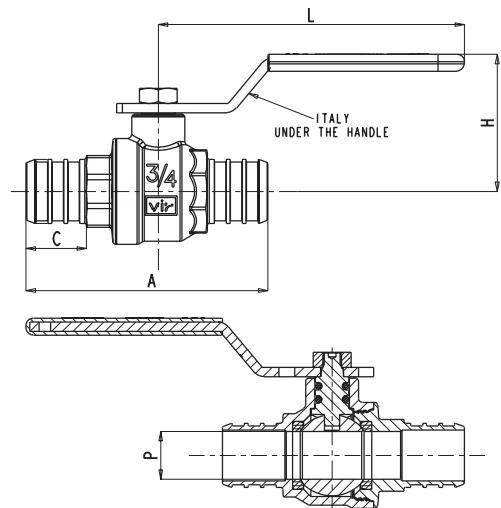
Materials & Specifications

Item	Description	Material	Specification
1	Body	Low Lead Brass	UNS C27453
2	End piece	Low Lead Brass	UNS C27453
3	Ball	Low Lead Brass/Cr Plated	UNS C27453
4	Seat	PTFE	PTFE
5	Stem	Low Lead Brass	UNS C27453
6	O-ring	NBR	NBR
7	Handle	Steel/Dc plated	ASTM A36
8	Nut	Steel/Zn plated	ASTM A36
9	Valve info	-	-



Dimensions, Weights (inches-lbs.) & Valve Data

Size	1/2	3/4	1
A	2.68	2.80	3.44
H	1.36	1.43	1.87
L	3.19	3.19	3.60
C	0.63	0.63	0.83
P	0.39	0.50	0.71
Wt	0.28	0.36	0.60



RED-WHITE VALVE CORP.

20600 Regency Lane, Lake Forest, CA 92630

TEL: 949.859.1010 • FAX: 949.859.7200 • www.redwhitevalvecorp.com

(150406)