



## Iron Plains™ Wading Pool®

Bathroom Sink

**K-5400-P5**

### Features

- KOHLER enameled cast iron
- Above-counter, drop-in, or under-mount installation
- With overflow



**ADA**

### Codes/Standards

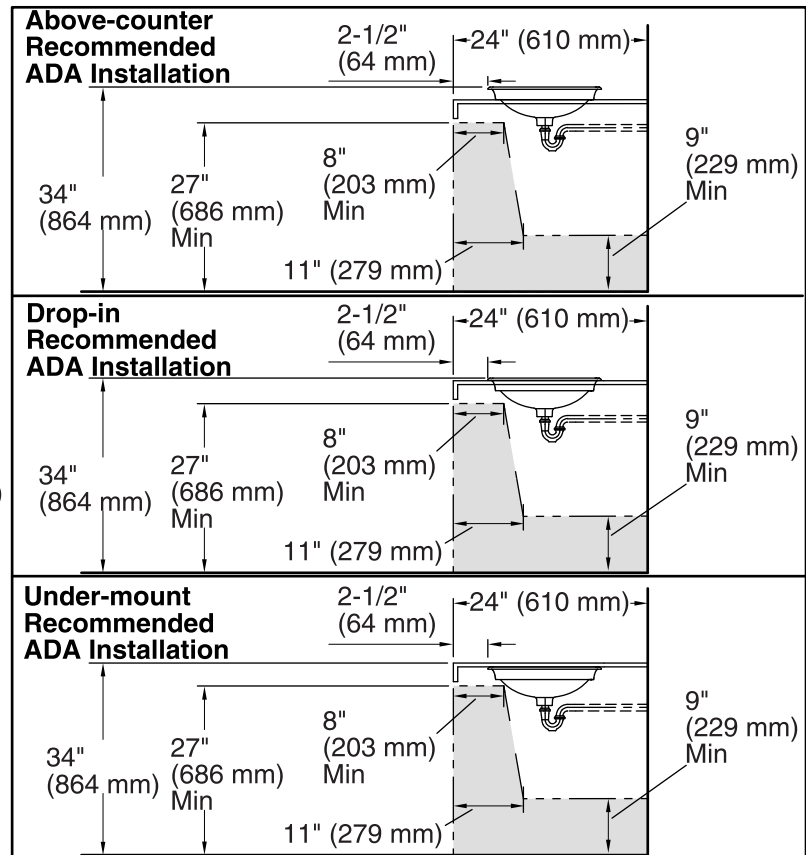
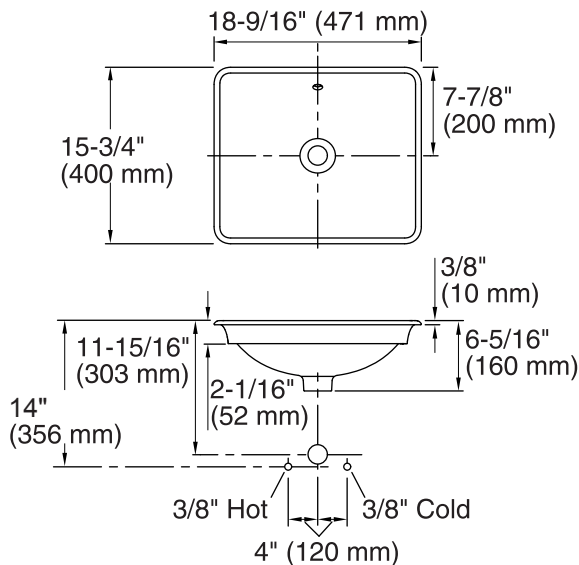
ASME A112.19.1/CSA B45.2

ADA

ICC/ANSI A117.1

### **KOHLER® Lifetime Limited Warranty for Cast Iron Components**

See website for detailed warranty information.



### Technical Information

All product dimensions are nominal.

- Bowl configuration: Single
- Installation: Drop-In, Under-mount, Above-counter
- Bowl area (Only)
  - Length: 17-1/2" (445 mm)
  - Width: 14-3/4" (375 mm)
  - Bowl depth: 4-9/16" (116 mm)
  - With overflow: Yes
  - Water depth: 2-15/16" (74 mm)
  - With overflow: Yes
- Bowl area
- Template: Drop-in, 1222632-7, required, included  
 Under-mount, 1222632-7, required, included  
 Top-mount, 1222632-7, required, included
- Under-mount kit: Clamp Accessory Pack 52047

### Notes

Install this product according to the installation guide.

**NOTICE:** Countertop manufacturer or cutter must use the cut-out template provided with the product, or a current one provided by Kohler Co. (call 1-800-4-KOHLER). Kohler Co. is not responsible for cutout errors when the incorrect cut-out template is used.

ADA compliant when installed to the specific requirements of these regulations.