

### Features

- Adjustable mounting brackets offer installation flexibility.
- Adjustable angle of handshower
- KOHLER finishes resist corrosion and tarnishing.

### Material

- Metal construction

### Installation

- Wall mount



ADA CSA B651 OBC

### Codes/Standards

ASME A112.18.1/CSA B125.1  
ADA  
ICC/ANSI A117.1  
CSA B651  
OBC



### KOHLER® Faucet Lifetime Limited Warranty

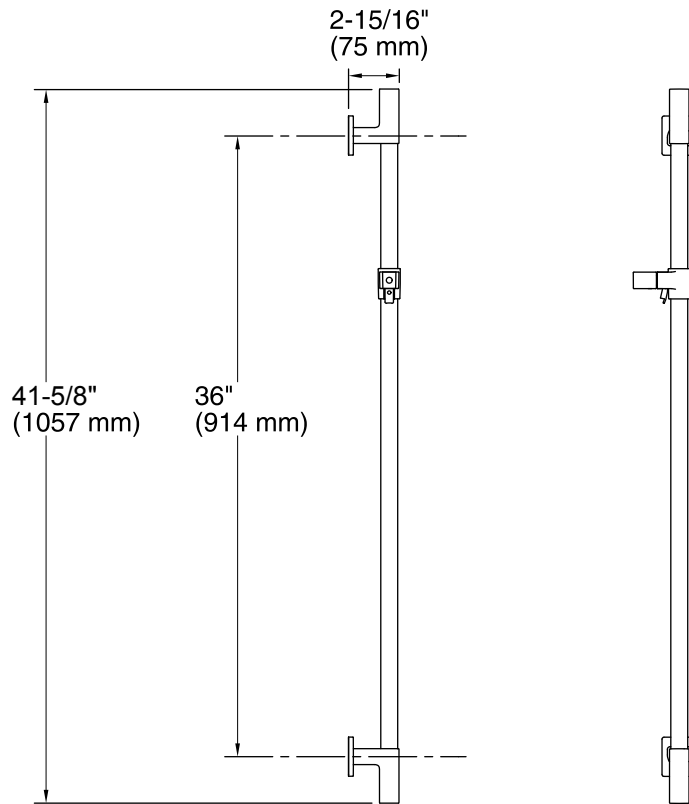
See website for detailed warranty information.

### Available Color/Finishes

*Color tiles intended for reference only.*

Color	Code	Description
-------	------	-------------

- |  |    |                         |
|--|----|-------------------------|
|  | CP | Polished Chrome         |
|  | BN | Vibrant® Brushed Nickel |



### Technical Information

All product dimensions are nominal.

### Notes

Install this product according to the installation guide.

ADA, OBC, CSA B651 compliant when installed to the specific requirements of these regulations.