

Features

- Textured glass basin in an elevated plate shape.
- No faucet holes; requires wall- or counter-mount faucet.
- Vessel installation
- Ample area allows for ease of use; creates a sense of grandeur in a bath or powder room

Material

- Glass

Installation

- Above-counter

Required Accessories

K- 7108 Decorative Drain

or

K- 7107 Decorative Drain

or

K- 7129 Drain

Components

Additional included component/s: Drain Gasket Kit - 1070246.



ADA

CSA B651

OBC

Codes/Standards

CSA B45.11/IAPMO Z401

CSA B45.5/IAPMO Z124

ADA

ICC/ANSI A117.1

CSA B651





OBC

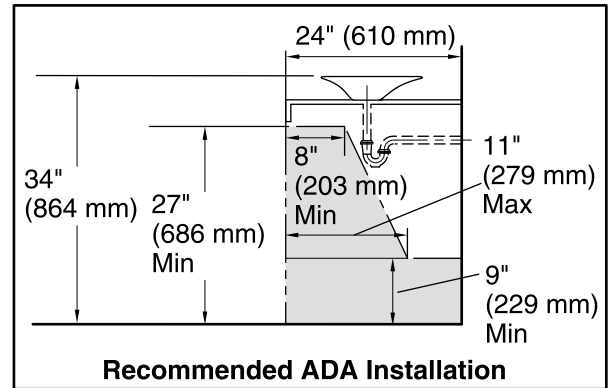
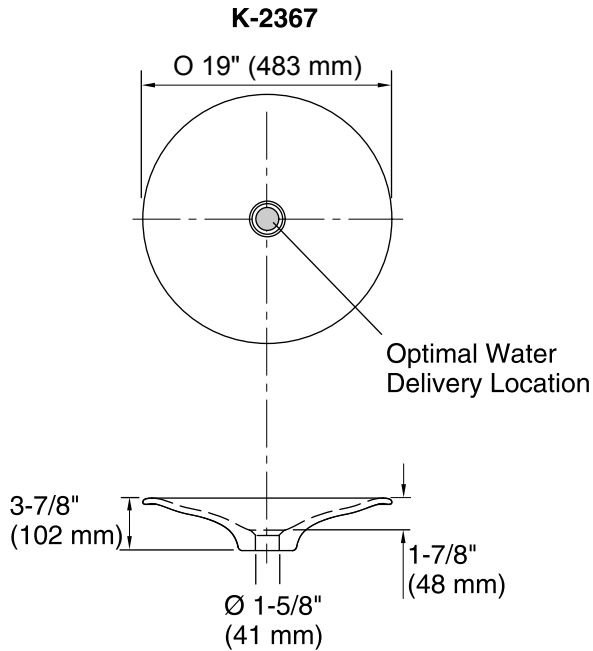
KOHLER® One-Year Limited Warranty

See website for detailed warranty information.

Available Color/Finishes

Color tiles intended for reference only.

Color	Code	Description
	B11	Ice
	TG1	Translucent Dusk
	TG2	Translucent Dew
	TG3	Translucent Doe
	TG6	
	TG7	
	TG8	



Technical Information

All product dimensions are nominal.

Bowl configuration: Single

Installation: Above-counter

Bowl area
Diameter: 18-7/8" (479 mm)
Bowl depth: 1-13/16" (46 mm)
Water depth: 1-13/16" (46 mm)

Notes

Install this product according to the installation guide.

ADA, OBC, CSA B651 compliant when installed to the specific requirements of these regulations.