

4

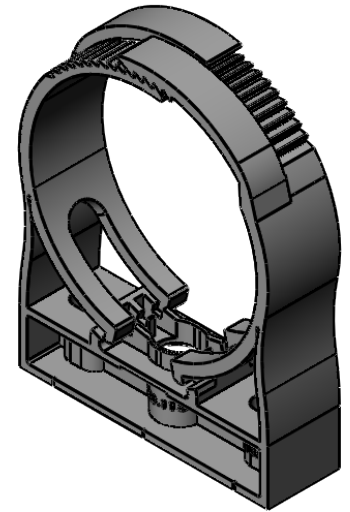
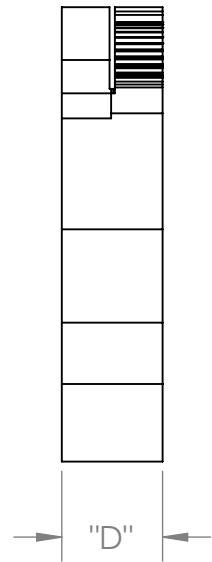
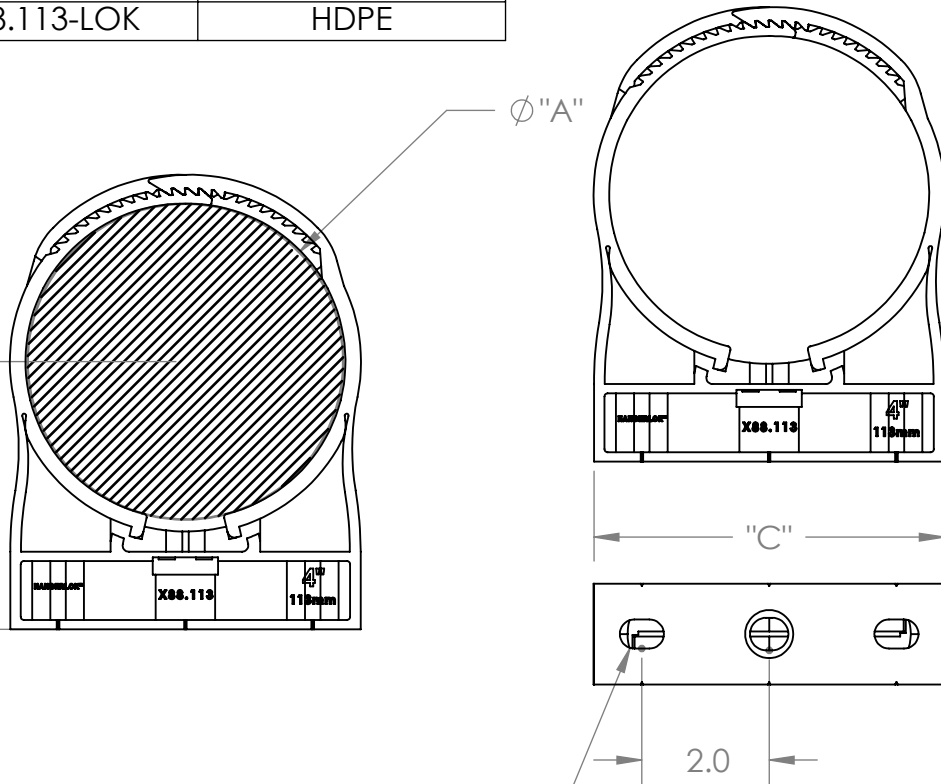
3

2

1

SIZE TABLE	Ø A		B	C	D
	MIN.	MAX.			
INCHES	4.45	5.00	3.77-4.13	5.47	1.57
MM	113	127	-	-	-

PART NUMBER	MATERIAL
H88.113-LOK	NYLON 6/6
A88.113-LOK	HDPE



Slot: 0.5" x 0.70"  
x3 places

**PROPRIETARY AND CONFIDENTIAL**  
THE INFORMATION CONTAINED IN THIS DRAWING IS THE SOLE PROPERTY OF LITCHFIELD-HANGERLOK. ANY REPRODUCTION IN PART OR AS A WHOLE WITHOUT THE WRITTEN PERMISSION OF LITCHFIELD\_HANGERLOK IS PROHIBITED.

UNLESS OTHERWISE SPECIFIED:		NAME	DATE	<b>Litchfield-HangerLok</b>	
DIMENSIONS ARE AS NOTED IN TABLE.		DRAWN	JS	11/20/2020	TITLE:
		MFG APPR.			HANGERLOK #113
		Q.A.			
		COMMENTS:			
MATERIAL	See Chart	SIZE	DWG. NO.		REV
FINISH	-	<b>A</b>	X88.113-LOK rev A		<b>A</b>
DO NOT SCALE DRAWING				SHEET 1 OF 1	

4

3

2

1

D

D

C

C

B

B

A

A