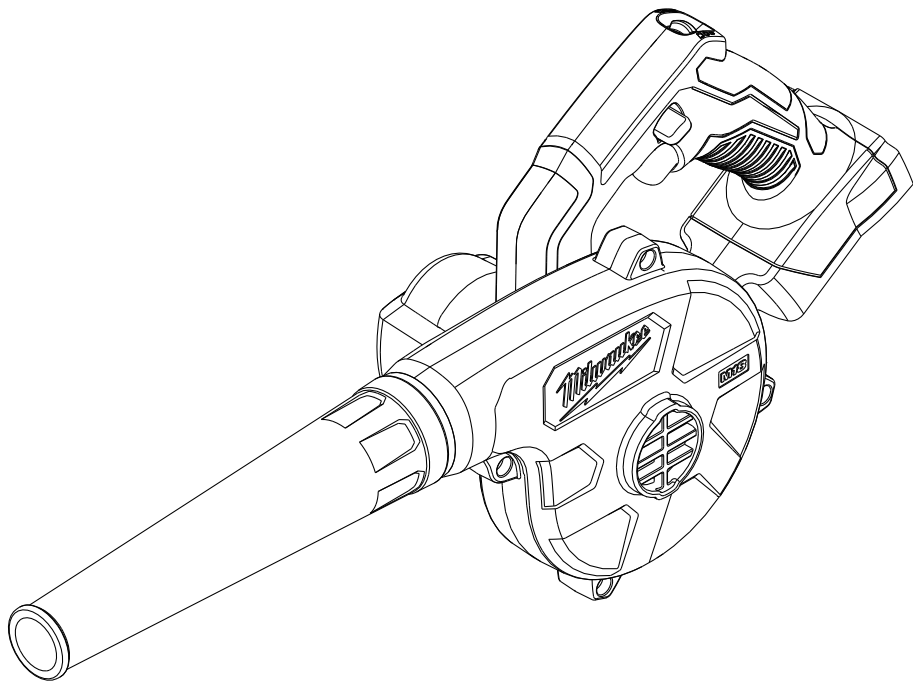






OPERATOR'S MANUAL
MANUEL de L'UTILISATEUR
MANUAL del OPERADOR



Cat. No. / No de cat.
0884-20

M18™ CORDLESS COMPACT BLOWER
SOUFFLANTE COMPACTE SANS FIL M18™
SOPLADOR INALÁMBRICO COMPACTO M18™

 **WARNING** To reduce the risk of injury, user must read and understand operator's manual.
 **AVERTISSEMENT** Afin de réduire le risque de blessures, l'utilisateur doit lire et bien comprendre le manuel.
ADVERTENCIA Para reducir el riesgo de lesiones, el usuario debe leer y entender el manual.

IMPORTANT SAFETY INSTRUCTIONS

⚠ WARNING WHEN USING AN ELECTRICAL BLOWER, BASIC PRECAUTIONS SHOULD ALWAYS BE FOLLOWED, INCLUDING THE FOLLOWING: READ ALL INSTRUCTIONS BEFORE USING BLOWER. FOR HOUSEHOLD OR COMMERCIAL USE. BEFORE USING THE BLOWER, READ THIS OPERATOR'S MANUAL, YOUR BATTERY PACK AND CHARGER OPERATOR'S MANUALS, AND ALL LABELS ON THE BLOWER, BATTERY PACK, AND CHARGER. TO REDUCE THE RISK OF FIRE, ELECTRIC SHOCK, OR INJURY:

WORK AREA SAFETY

- **Keep work area clean and well lit.** Cluttered or dark areas invite accidents.
- **Blowers have motors and other parts that can produce sparks during normal use.** Do not use within 30 feet of areas where explosive materials may be present (such as gasoline pumps and places where liquids like paint thinners, cleaners, solvents, etc. are stored).
- **Do not use in the presence of explosive dust, liquids or vapors.**
- **Do not use where oxygen or anesthetics are used.**
- **Do not allow to be used as a toy.** Close attention is necessary when used by or near children.
- **Use extra care when using on stairs.**

ELECTRICAL SAFETY

- **Do not handle charger, battery pack or blower with wet hands.**

PERSONAL SAFETY

- **STAY ALERT.** Watch what you are doing and use common sense. Do not use blower when you are tired, distracted or under the influence of drugs, alcohol or medication causing diminished control.
- **The operation of a blower can result in foreign objects being blown into eyes,** which can result in eye damage. User and bystanders must wear safety goggles or glasses with side shields when blower is in operation.
- **Wear a face or dust mask** when working in dust situations. Dust particles can harm your lungs.
- **Avoid accidental starting. Ensure the switch is in the off-position before inserting battery pack.** Inserting battery pack in blower that has the switch on invites accidents.
- **Do not overreach. Keep proper footing and balance at all times.** This enables better control of the blower in unexpected situations.

- **Keep hair, loose clothing, fingers, and all parts of body away from openings and moving parts.**

USE AND CARE

- **Use only as described in this manual.** Use only manufacturer's recommended attachments.
- **Do not use to blow flammable or combustible liquids** such as gasoline or use in areas where they may be present.
- **Do not blow anything that is burning or smoking** such as cigarettes, matches, or hot ashes.
- **To reduce the risk of health hazards from vapors or dust, do not blow toxic, carcinogenic or other hazardous materials** such as asbestos, arsenic, barium, beryllium, lead, pesticides or other health endangering materials.

- **⚠ WARNING** Some dust created by power sanding, sawing, grinding, drilling, and other construction activities contains chemicals known to cause cancer, birth defects or other reproductive harm. Some examples of these chemicals are:

- lead from lead-based paint
- crystalline silica from bricks and cement and other masonry products, and
- arsenic and chromium from chemically-treated lumber.

Your risk from these exposures varies, depending on how often you do this type of work. To reduce your exposure to these chemicals: work in a well ventilated area, and work with approved safety equipment, such as those dust masks that are specially designed to filter out microscopic particles.

- **Do not leave blower unattended when battery pack is installed.** Remove battery pack when not in use and before servicing.
- **Do not put any object into openings.** Do not use with any opening blocked; keep free of dust, lint, hair, and anything else that may reduce air flow.
- **Maintain blower. Check for misalignment or binding of moving parts, breakage of parts and any other condition that may affect the blower's operation. If damaged, have the blower repaired before use.** Many accidents are caused by poorly maintained tools.
- **Maintain labels and nameplates.** These carry important information. If unreadable or missing, contact a MILWAUKEE service facility for a free replacement.
- **Use blower only with specifically designated battery packs.** Use of any other battery packs may create a risk of injury and fire.
- **Turn off all controls before removing battery pack.**
- **To reduce the risk of electric shock, do not use on wet surfaces. Do not expose to rain. Store indoors. Do not charge outdoors.**

BATTERY PACK USE AND CARE

- **Recharge only with the charger specified by the manufacturer.** A charger that is suitable for one type of battery pack may create a risk of fire when used with another battery pack.
- **When battery pack is not in use, keep it away from other metal objects like paper clips, coins, keys, nails, screws, or other small metal objects that can make a connection from one terminal to another.** Shorting the battery terminals together may cause burns or a fire.
- **Do not use damaged battery pack or blower.** If battery pack or blower are not working as they should, have been dropped, damaged, left outdoors, or dropped into water, return them to a service center.

•Do not burn or incinerate battery packs. Battery packs may explode, causing personal injury or damage. Toxic fumes and materials are created when battery packs are burned.

SERVICE

•Have your power tool serviced by a qualified repair person using only identical replacement parts. This will ensure that the safety of the power tool is maintained.

SPECIFIC SAFETY RULES FOR COMPACT BLOWER

•Before using the blower, read this operator's manual, your battery pack and charger operator's manuals, and all labels on the blower, battery pack, and charger.

•Wear ear protectors. Exposure to noise can cause hearing loss.

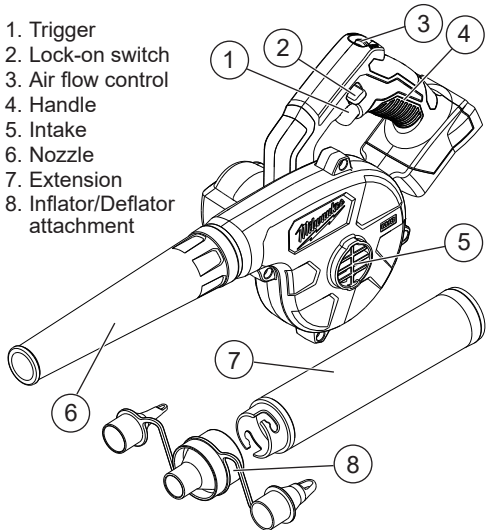
•**WARNING** To reduce the risk of injury in applications that produce a considerable amount of dust, use an OSHA compliant dust extraction solution in accordance with the solution's operating instructions.

•Always use common sense and be cautious when using tools. It is not possible to anticipate every situation that could result in a dangerous outcome. Do not use this tool if you do not understand these operating instructions or you feel the work is beyond your capability; contact Milwaukee Tool or a trained professional for additional information or training.

READ AND SAVE ALL INSTRUCTIONS FOR FUTURE USE

FUNCTIONAL DESCRIPTION

1. Trigger
2. Lock-on switch
3. Air flow control
4. Handle
5. Intake
6. Nozzle
7. Extension
8. Inflator/Deflator attachment



SPECIFICATIONS

Cat. No.....	0884-20
Volts.....	18 DC
Battery Type.....	M18™
Charger Type.....	M18™
Air Speed.....	160 MPH
Fan Speed.....	18,000 RPM
Recommended Ambient Operating Temperature.....	0°F to 125°F

SYMBOLGY

	Volts
	Direct Current
	Read operator's manual
	Wear eye protection
	UL Listing for Canada and U.S.

ASSEMBLY

•**WARNING** Recharge only with the charger specified for the battery. For specific charging instructions, read the operator's manual supplied with your charger and battery.

Removing/Inserting the Battery

To remove the battery, push in the release buttons and pull the battery pack away from the tool.

•**WARNING** Always remove battery pack before changing or removing accessories.

To insert the battery, slide the pack into the body of the tool. Make sure it latches securely into place.

•**WARNING** Only use accessories specifically recommended for this tool. Others may be hazardous.

Installing/Removing the Accessories

Blower:

To **install** the nozzle, extension, or inflator adaptor, line up the lugs of the accessory with the slots on the blower. Push the accessory onto the blower. Twist the accessory clockwise to lock into place.

To **remove** the accessory, twist counter-clockwise and pull away from the blower.

Deflator:

To **install** the adaptor onto the intake, line up the detents on the adaptor with the tabs on the top and bottom of the intake. Slide the adaptor onto the intake. To **remove** the adaptor from the intake, pull the adaptor away from the tool.

OPERATION

⚠WARNING To reduce the risk of fire and injury, do not use to blow flammable or combustible materials.

To reduce the risk of injury, user and bystanders must wear safety goggles or glasses with side shields. Use of blower can result in foreign objects being blown into eyes, which can result in eye damage.

Selecting Air Flow

The blower can be set to three air flow speeds: low, medium, and high. Push the air flow control up to increase air flow; push it down to decrease air flow.

Starting, Stopping, and Controlling Air Flow

1. To **start** the blower, pull the trigger.
2. To **vary** the air flow, increase or decrease the pressure on the trigger. The further the trigger is pulled, the greater the airflow speed, up to the maximum set by the airflow control.
3. To **stop** the blower, release the trigger.

Lock-on

To lock-on the trigger for continuous use:

1. Pull the trigger.
2. Push down on the lock-on switch.
3. Release the trigger.
4. To stop the blower, pull and release the trigger.

MAINTENANCE

⚠WARNING To reduce the risk of injury, always unplug the charger and remove the battery pack from the charger or tool before performing any maintenance. Never disassemble the tool, battery pack or charger. Contact a MILWAUKEE service facility for ALL repairs.

Maintaining Tool

Keep your tool, battery pack and charger in good repair by adopting a regular maintenance program. Inspect your tool for issues such as undue noise, misalignment or binding of moving parts, breakage of parts, or any other condition that may affect the tool operation. Return the tool, battery pack, and charger to a MILWAUKEE service facility for repair. After six months to one year, depending on use, return the tool, battery pack and charger to a MILWAUKEE service facility for inspection.

If the tool does not start or operate at full power with a fully charged battery pack, clean the contacts on the battery pack. If the tool still does not work properly, return the tool, charger and battery pack, to a MILWAUKEE service facility for repairs.

⚠WARNING To reduce the risk of personal injury and damage, never immerse your tool, battery pack or charger in liquid or allow a liquid to flow inside them.

Cleaning

Clean dust and debris from vents. Keep handles clean, dry and free of oil or grease. Use only mild soap and a damp cloth to clean, since certain cleaning agents and solvents are harmful to plastics and other insulated parts. Some of these include gasoline, turpentine, lacquer thinner, paint thinner, chlorinated cleaning solvents, ammonia and household detergents containing ammonia. Never use flammable or combustible solvents around tools.

Repairs

For repairs, return the tool, battery pack and charger to the nearest service center.

ACCESSORIES

⚠WARNING Use only recommended accessories. Others may be hazardous.

For a complete listing of accessories, go online to www.milwaukeetool.com or contact a distributor.

SERVICE - UNITED STATES

1-800-SAWDUST (1.800.729.3878)

Monday-Friday, 7:00 AM - 6:30 PM CST

or visit www.milwaukeetool.com

Contact Corporate After Sales Service Technical Support with technical, service/repair, or warranty questions.

Email: metproductsupport@milwaukeetool.com

Become a Heavy Duty Club Member at www.milwaukeetool.com to receive important notifications regarding your tool purchases.

SERVICE - CANADA

Milwaukee Tool (Canada) Ltd
1.800.268.4015

Monday-Friday, 7:00 AM - 4:30 PM CST

or visit www.milwaukeetool.ca

LIMITED WARRANTY USA & CANADA

Every MILWAUKEE power tool* (see exceptions below) is warranted to the original purchaser only to be free from defects in material and workmanship. Subject to certain exceptions, MILWAUKEE will repair or replace any part on an electric power tool which, after examination, is determined by MILWAUKEE to be defective in material or workmanship for a period of five (5) years** after the date of purchase unless otherwise noted. Return of the power tool to a MILWAUKEE factory Service Center location or MILWAUKEE Authorized Service Station, freight prepaid and insured, is required. A copy of the proof of purchase should be included with the return product. This warranty does not apply to damage that MILWAUKEE determines to be from repairs made or attempted by anyone other than MILWAUKEE authorized personnel, misuse, alterations, abuse, normal wear and tear, lack of maintenance, or accidents.

Normal Wear: Many power tools need periodic parts replacement and service to achieve best performance. This warranty does not cover repair when normal use has exhausted the life of a part including, but not limited to, chucks, brushes, cords, saw shoes, blade clamps, o-rings, seals, bumpers, driver blades, pistons, strikers, lifters, and bumper cover washers.

*This warranty does not cover Air Nailers & Staplers; Airless Paint Sprayer; Cordless Battery Packs; Gasoline Driven Portable Power Generators; Hand Tools; Hoist - Electric, Lever & Hand Chain; M12™ Heated Gear; Reconditioned Product; and Test & Measurement Products. There are separate and distinct warranties available for these products.

**The warranty period for Job Site Radios, M12™ Power Port, M18™ Power Source, Jobsite Fan and Trade Titan™ Industrial Work Carts is one (1) year from the date of purchase. The warranty period for the Drain Cleaning Cables is two (2) years from the date of purchase. The warranty period for the M18™ Compact Heat Gun and the 8 Gallon Dust Extractor is three (3) years from the date of purchase. The warranty period for the LED in the LED Work Light and the LED Upgrade Bulb for the Work Light is the lifetime of the product subject to the limitations above. If during normal use the LED or LED Bulb fails, the part will be replaced free of charge.

Warranty Registration is not necessary to obtain the applicable warranty on a MILWAUKEE power tool product. The manufacturing date of the product will be used to determine the warranty period if no proof of purchase is provided at the time warranty service is requested.

ACCEPTANCE OF THE EXCLUSIVE REPAIR AND REPLACEMENT REMEDIES DESCRIBED HEREIN IS A CONDITION OF THE CONTRACT FOR THE PURCHASE OF EVERY MILWAUKEE PRODUCT. IF YOU DO NOT AGREE TO THIS CONDITION, YOU SHOULD NOT PURCHASE THE PRODUCT. IN NO EVENT SHALL MILWAUKEE BE LIABLE FOR ANY INCIDENTAL, SPECIAL, CONSEQUENTIAL OR PUNITIVE DAMAGES, OR FOR ANY COSTS, ATTORNEY FEES, EXPENSES, LOSSES OR DELAYS ALLEGED TO BE AS A CONSEQUENCE OF ANY DAMAGE TO, FAILURE OF, OR DEFECT IN ANY PRODUCT INCLUDING, BUT NOT LIMITED TO, ANY CLAIMS FOR LOSS OF PROFITS. SOME STATES DO NOT ALLOW THE EXCLUSION OR LIMITATION OF INCIDENTAL OR CONSEQUENTIAL DAMAGES, SO THE ABOVE LIMITATION OR EXCLUSION MAY NOT APPLY TO YOU. THIS WARRANTY IS EXCLUSIVE AND IN LIEU OF ALL OTHER EXPRESS WARRANTIES, WRITTEN OR ORAL. TO THE EXTENT PERMITTED BY LAW, MILWAUKEE DISCLAIMS ANY IMPLIED WARRANTIES, INCLUDING WITHOUT LIMITATION ANY IMPLIED WARRANTY OF MERCHANTABILITY OR FITNESS FOR A PARTICULAR USE OR PURPOSE, TO THE EXTENT SUCH DISCLAIMER IS NOT PERMITTED BY LAW, SUCH IMPLIED WARRANTIES ARE LIMITED TO THE DURATION OF THE APPLICABLE EXPRESS WARRANTY AS DESCRIBED ABOVE. SOME STATES DO NOT ALLOW LIMITATIONS ON HOW LONG AN IMPLIED WARRANTY LASTS, SO THE ABOVE LIMITATION MAY NOT APPLY TO YOU. THIS WARRANTY GIVES YOU SPECIFIC LEGAL RIGHTS, AND YOU MAY ALSO HAVE OTHER RIGHTS WHICH VARY FROM STATE TO STATE.

This warranty applies to product sold in the U.S.A. and Canada only. Please consult the 'Service Center Search' in the Parts & Service section of MILWAUKEE's website www.milwaukeetool.com or call 1.800.SAWDUST (1.800.729.3878) to locate your nearest service facility for warranty and non-warranty service on a Milwaukee electric power tool.

LIMITED WARRANTY - MEXICO, CENTRAL AMERICA & CARIBBEAN

TECHTRONIC INDUSTRIES' warranty is for 5 years since the original purchase date.

This warranty card covers any defect in material and workmanship on this Product.

To make this warranty valid, present this warranty card, sealed/stamped by the distributor or store where you purchased the product, to the Authorized Service Center (ASC). Or, if this card has not been sealed/stamped, present the original proof of purchase to the ASC. Call 55 4160-3547 to find the nearest ASC, for service, parts, accessories or components.

Procedure to make this warranty valid

Take the product to the ASC, along with the warranty card sealed/stamped by the distributor or store where you purchased the product, and any faulty piece or component will be replaced without cost for you. We will cover all freight costs relative with this warranty process.

Exceptions

This warranty is not valid in the following situations

a) When the product is used in a different manner from the end-user guide or instruction manual.

b) When the conditions of use are not normal.

c) When the product was modified or repaired by people not authorized by TECHTRONIC INDUSTRIES.

Note: If cord set is damaged, it should be replaced by an Authorized Service Center to avoid electric risks.

SERVICE AND ATTENTION CENTER

Call to 55 4160-3547

IMPORTED AND COMMERCIALIZED BY

TECHTRONIC INDUSTRIES MEXICO, S.A. DE C.V.

Miguel de Cervantes Saavedra No.301 Piso 5, Torre Norte

11520 Colonia Ampliación Granada

Miguel Hidalgo, Ciudad de Mexico, Mexico

Model: _____

Date of Purchase: _____

Distributor or Store Stamp: _____

RÈGLES GÉNÉRALES DE SÉCURITÉ

AVERTISSEMENT

LORS DE L'UTILISATION D'UNE SOUFFLANTE ÉLECTRIQUE, DES PRÉCAUTIONS ÉLÉMENTAIRES, Y COMPRIS CELLES PRÉSENTÉES CI-DESSOUS, DOIVENT TOUJOURS ÊTRE PRISES EN COMPTE : LIRE TOUTES LES INSTRUCTIONS AVANT D'UTILISER LA SOUFFLANTE. POUR UN USAGE DOMESTIQUE OU COMMERCIALE. AVANT D'UTILISER LA SOUFFLANTE, LIRE LE PRÉSENT MANUEL D'UTILISATION, LE MANUEL D'UTILISATION DU BLOC-PILES ET DU CHARGEUR, AINSI QUE TOUTES LES ÉTIQUETTES SE TROUVANT SUR LA SOUFFLANTE, LE BLOC-PILES, ET LE CHARGEUR. POUR RÉDUIRE LE RISQUE D'INCENDIE, D'ÉLECTROCUTION OU DE BLESSURES :

SÉCURITÉ DU LIEU DE TRAVAIL

- Veillez à ce que l'aire de travail soit propre et bien éclairée. Le désordre et le manque de lumière favorisent les accidents.
- Les soufflantes ont des moteurs et d'autres pièces qui peuvent produire des étincelles pendant l'utilisation normale. Ne pas utiliser à moins de 9 m (30 pi) des zones où des matières explosives peuvent exister (tel que les pompes à essence et les zones de stockage des liquides comme les diluants pour peinture, les nettoyeurs, les solvants, etc.)
- Ne pas utiliser en présence de liquides explosifs ou de poussière ou vapeurs explosives.
- Ne pas utiliser où l'oxygène ou les agents anesthésiques sont utilisés.
- Cet appareil n'est pas un jouet. Une surveillance étroite est impérative lorsqu'il est utilisé par des enfants ou à leur proximité.
- Redoubler de prudence lors de l'utilisation dans des escaliers.

SÉCURITÉ ÉLECTRIQUE

- Ne pas manipuler le chargeur, le bloc-pile ou la soufflante avec les mains mouillées.

SÉCURITÉ INDIVIDUELLE

- RESTER VIGILANT. Se montrer attentif et faire preuve de bon sens. Ne pas utiliser la soufflante en cas de fatigue, distraction ou sous l'influence de l'alcool, de drogues ou de médicaments causant la perte de contrôle.
- L'utilisation d'une soufflante peut causer la projection d'objets en direction du visage et entraîner des lésions oculaires. L'opérateur et toute personne qui se tient à proximité doivent porter des lunettes de